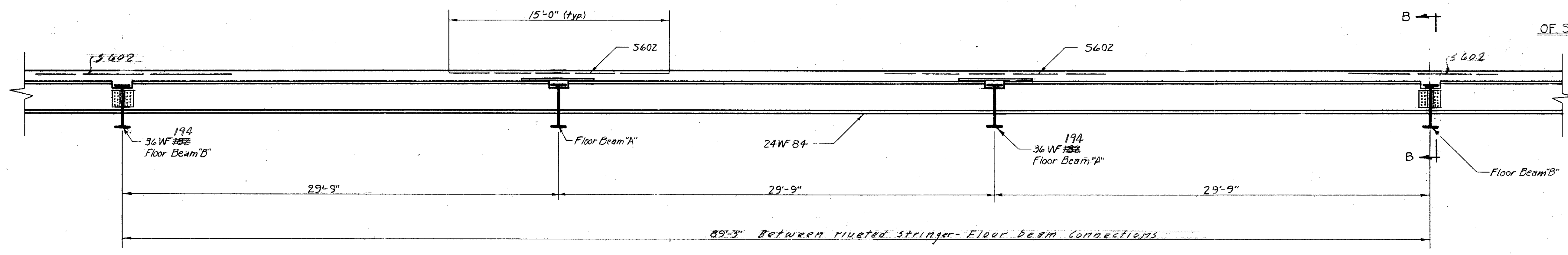
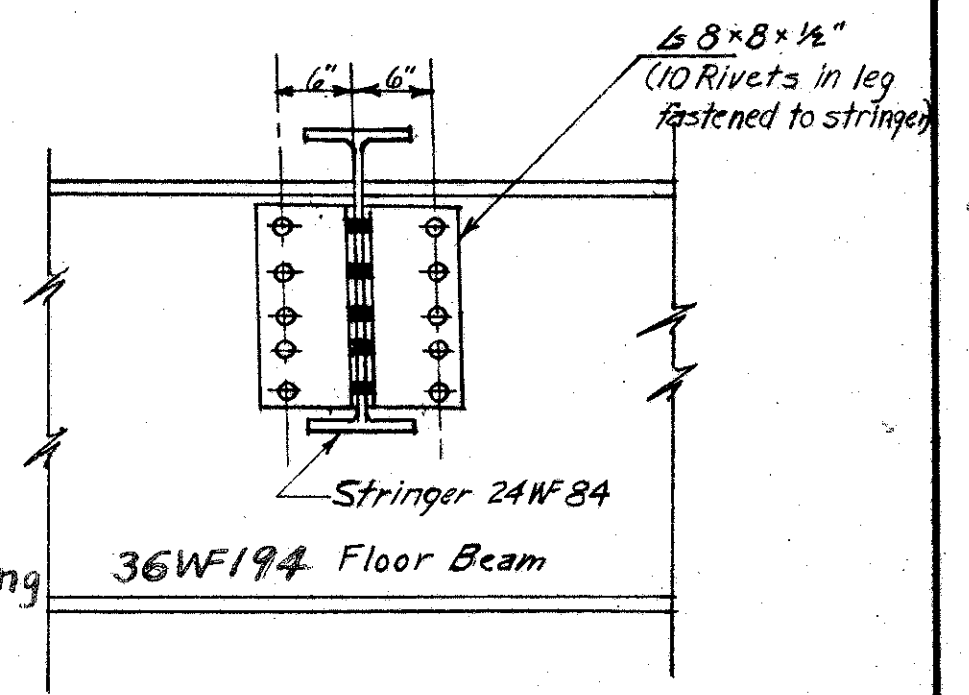


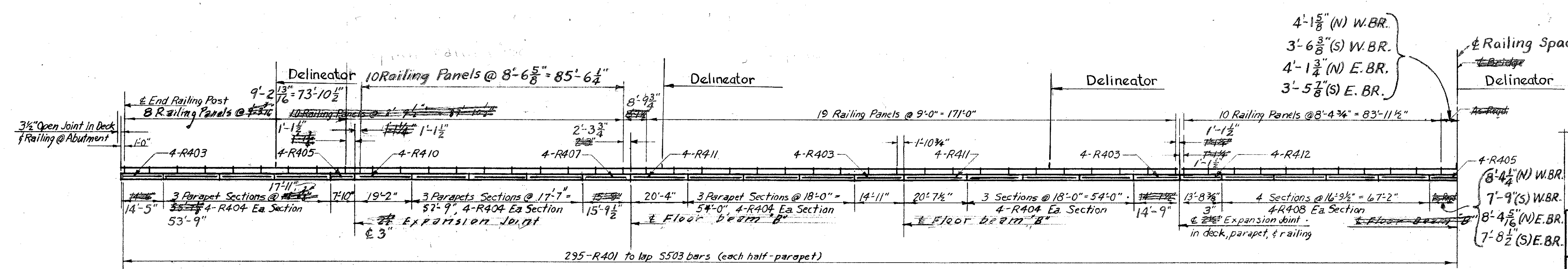
DETAIL OF CONNECTION OF STRINGER TO FLOOR BEAM "A"



SECTION A-A



SECTION B-B



HALF-ELEVATION OF RAILING & PARAPET

Place Delineator on right of traffic at center of railing panels indicated above.
Railing type A

This sheet is to be used for construction and supersedes Sheet No. (52) of the Bidding Plans.

SEC. 634-B FED. AID PROJ. NO. ACI-1103 (30)

PREPARED BY
CAPITOL ENGINEERING ASSOCIATES, DILLSBURG, PA.
FOR

STATE OF OHIO
DEPARTMENT OF HIGHWAYS

DECK DETAILS
BRIDGE NO. LAK-1-252 2252
OVER GRAND RIVER
LAKE COUNTY STA. 833+75.00

DESIGNED	DRAWN	TRACED	CHECKED	REVISED DATE	REVISED
				3-20-59	9-16-58

Revised 3-20-59