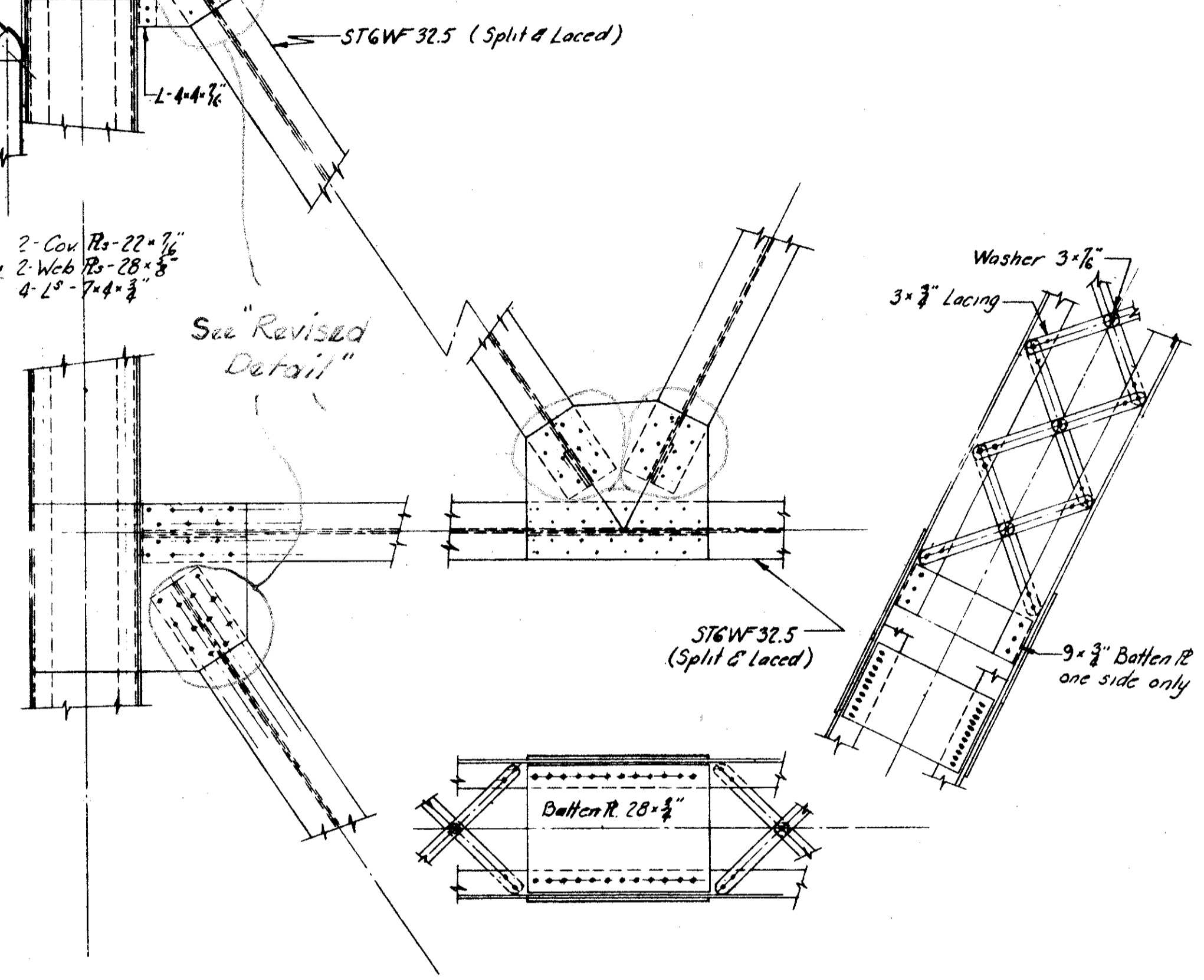
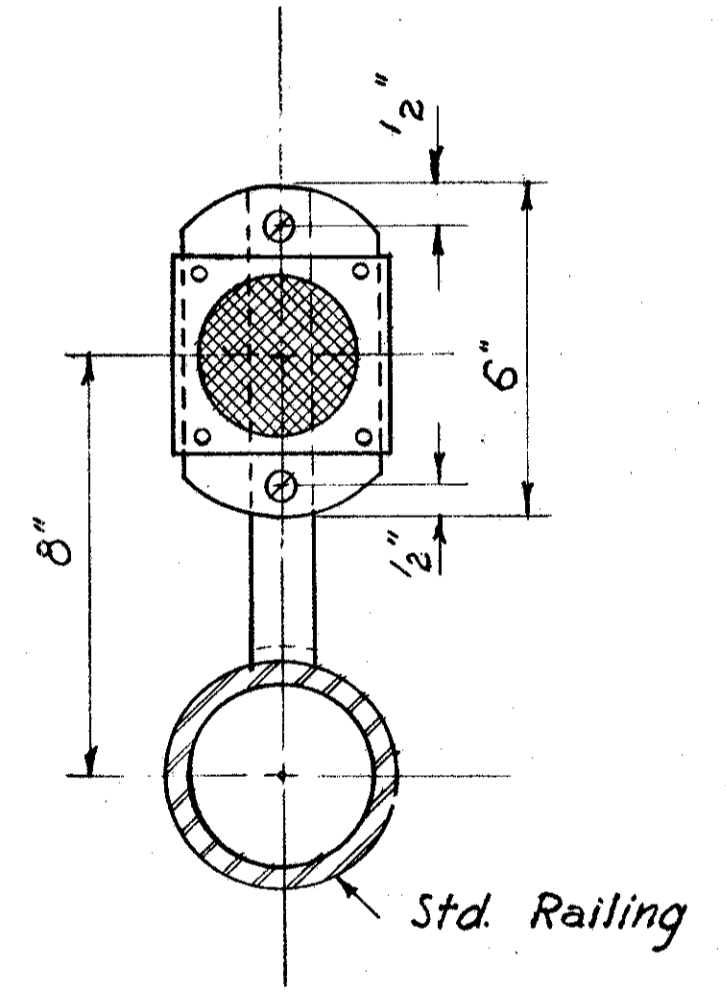
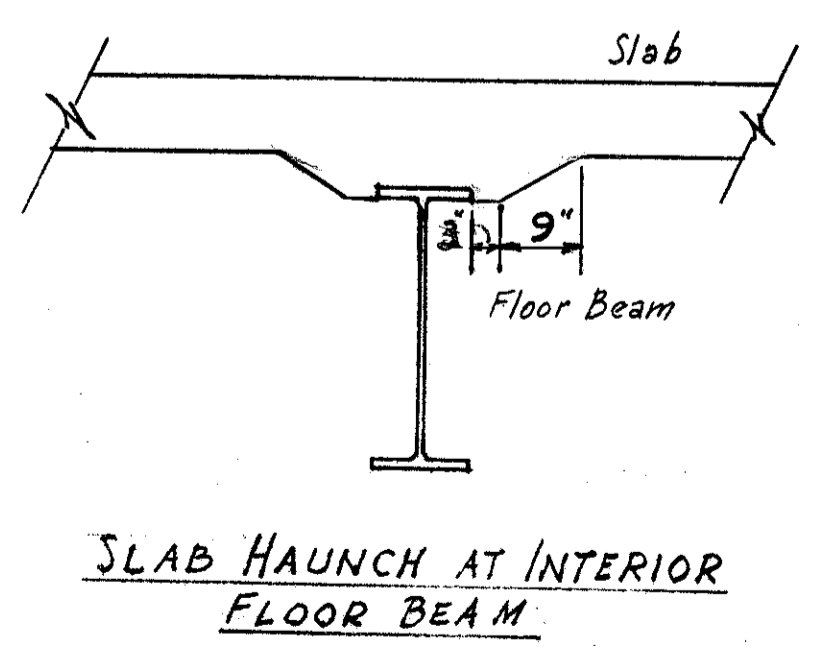
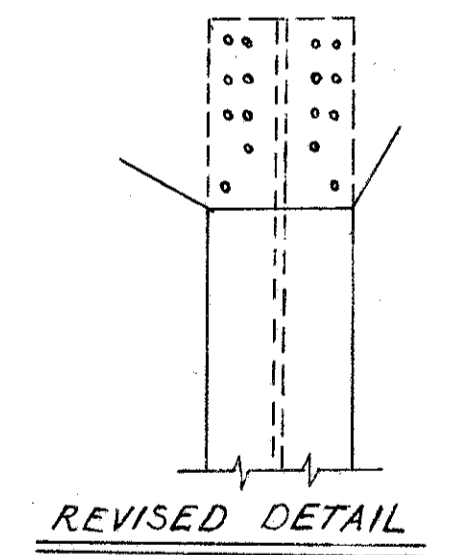


See Sh. 50A for scupper and downspout location and support details.

Place scuppers at Panels 4, 6, 8, 11, 11, 10, 5, 3, 1, 1. Upgrade from Panels 9, 8, 0, 4, 0. Downspouts: 6", shall be Std. Wrought Iron Pipe or Std. Hot Dipped Galv. Steel Pipe. Carry 6" below truss. Specials included. Provide 45° bend and pipe extension to discharge down-slope at low piers. Provide flexible mechanical joints near top & bottom of hanger at 9 & 9'.



PART SECTION THRU TRUSS & DECK
TRUSS AT PANEL T, DECK TYPICAL



BRIDGE DELINEATOR AND RAIL BRACKET

Place on railing to right of traffic at locations shown on sheet 52

This sheet is to be used for construction and supersedes Sheet No. 50 of the Bidding Plans. 9-16-58

SEC. C74-B FED. AID PROJ. ACI-1103(30)

PREPARED BY
CAPITAL ENGINEERING ASSOCIATES, DILLSBURG, PA.
FOR

STATE OF OHIO
DEPARTMENT OF HIGHWAYS

SUPERSTRUCTURE-DETAILS
BRIDGE NO. LAK-1-2252
OVER GRAND RIVER
LAKE COUNTY

STA. 879+77.00

DESIGNED	DRAWN	TRACED	CHECKED	REVISED DATE	REVISED
				2-25-59	9-16-58 11-5-58

Revised 2-25-59