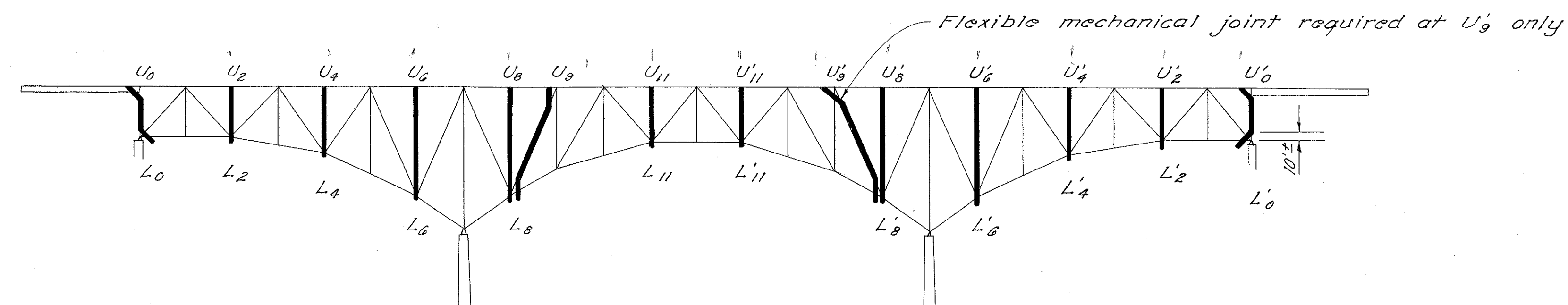


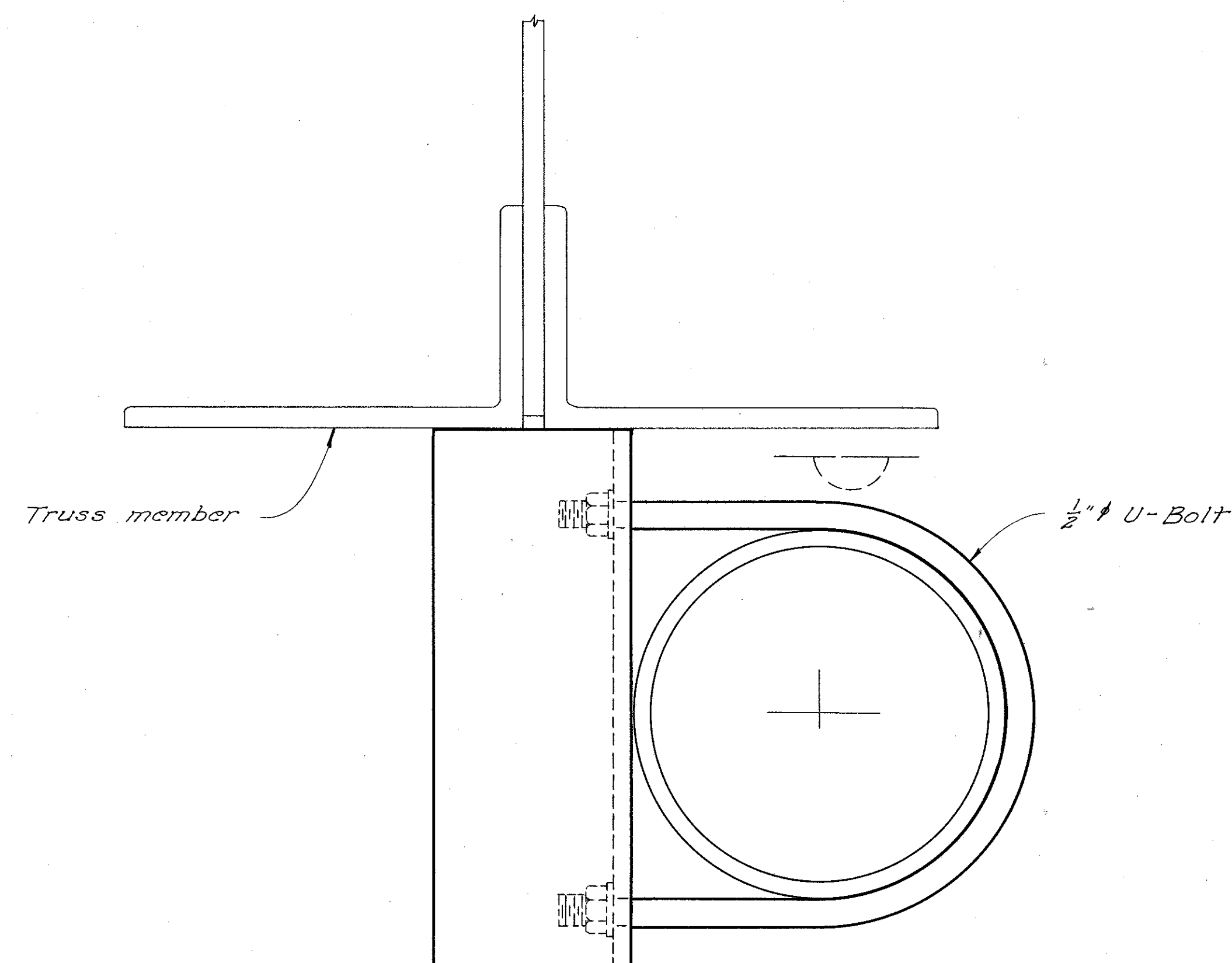
FED. RD. DIVISION	STATE	PROJECT
2	OHIO	ACI-1103(30)

50A  
55

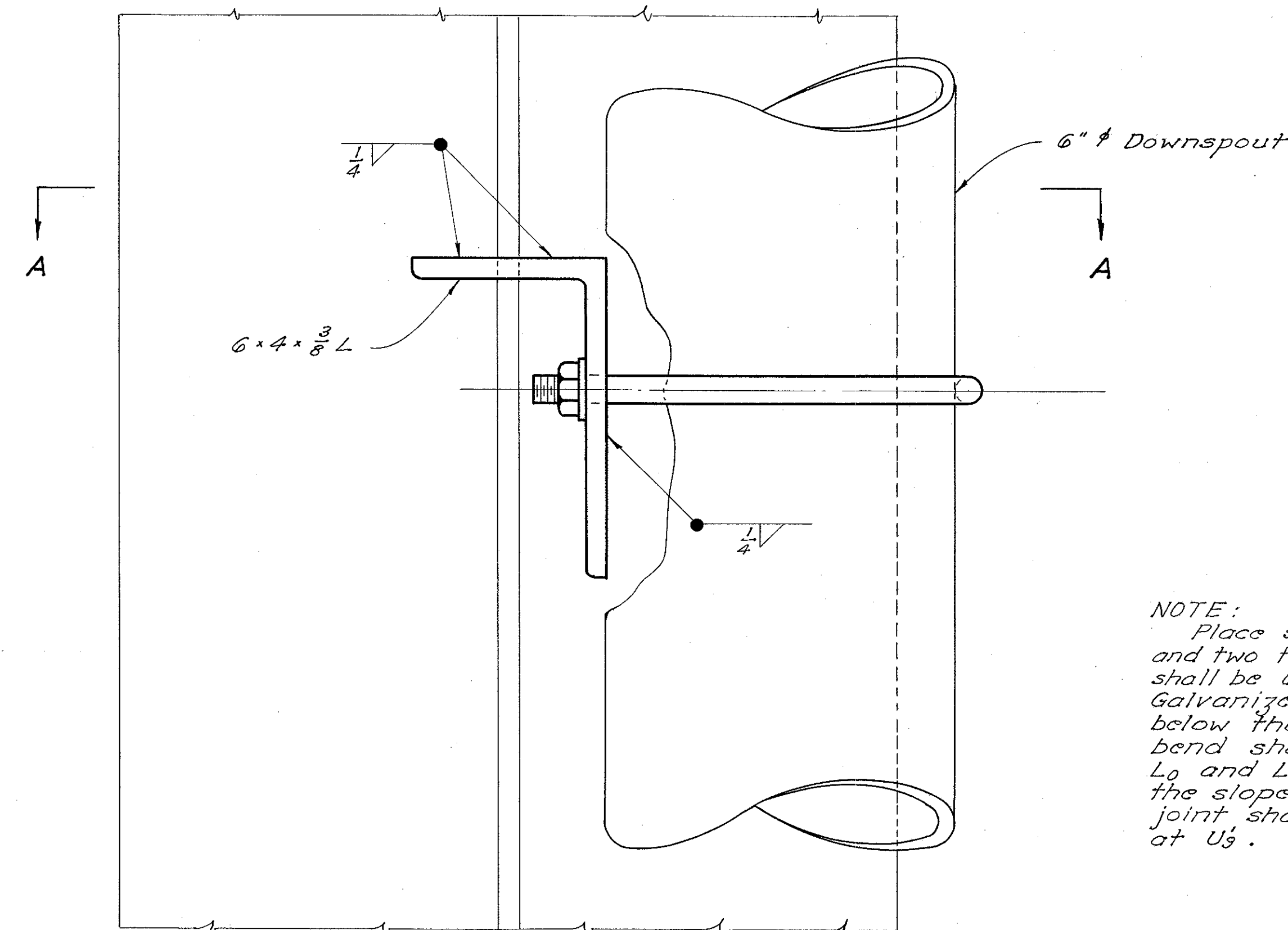
LAKE COUNTY  
SEC. LAK-1-22.43



LOCATION OF DOWNSPOUTS



SECTION A - A



ELEVATION

NOTE:  
Place scuppers at Panels 2, 4, 6, 8, 11, 11', 8', 6', 4', 2' and two feet upgrade from 9, 9' and 0'. Downspouts shall be 6" Std. Wrought Pipe or 6" Std. Hot Dipped Galvanized Steel Pipe, and shall be carried to 6" below the truss. Specials shall be included. A 45° bend shall be provided a height of ten feet above L<sub>0</sub> and L<sub>0</sub>', so that downspout will discharge down the slope from the pier. A flexible mechanical joint shall be provided near the top of the hanger at U<sub>9</sub>'.

**TYPICAL DOWNSPOUT SUPPORT**

2- Supports required for each twenty-foot section of downspout.

This sheet added 2-25-59.

SEC. C-34B FED. AID PROJECT NO. ACI-1103(30)

STATE OF OHIO DEPARTMENT OF HIGHWAYS DIVISION OF DESIGN AND CONSTRUCTION BUREAU OF BRIDGES					
<b>SUPPLEMENTAL DETAILS DOWNSPOUTS</b>					
BRIDGE NO. LAK-1-2252 S.R. 1 OVER GRAND RIVER					
LAKE COUNTY			STA. 833 + 75.00		
DESIGNED	DRAWN	TRACED	CHECKED	REVIEWED	DATE
		prose			