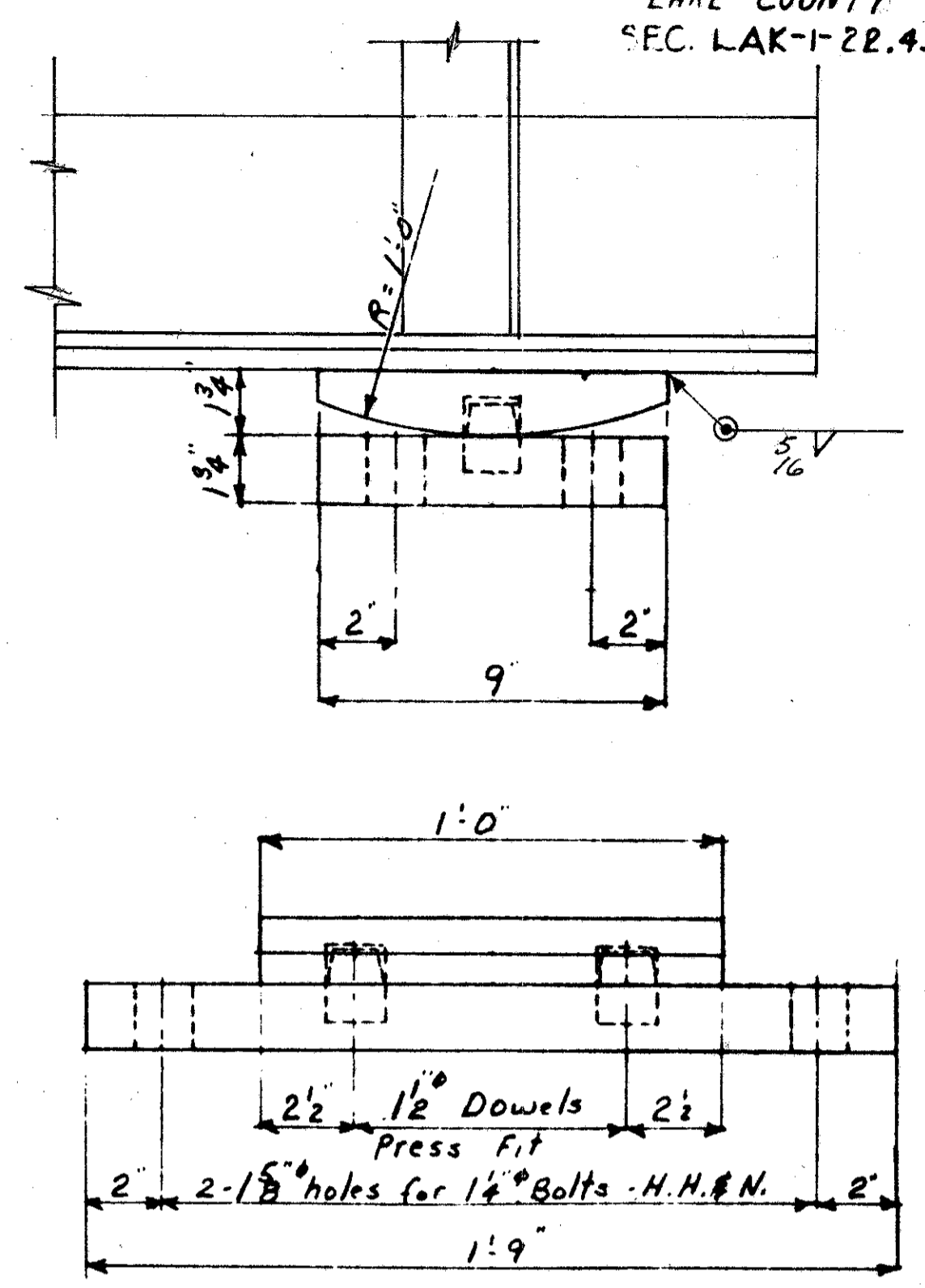
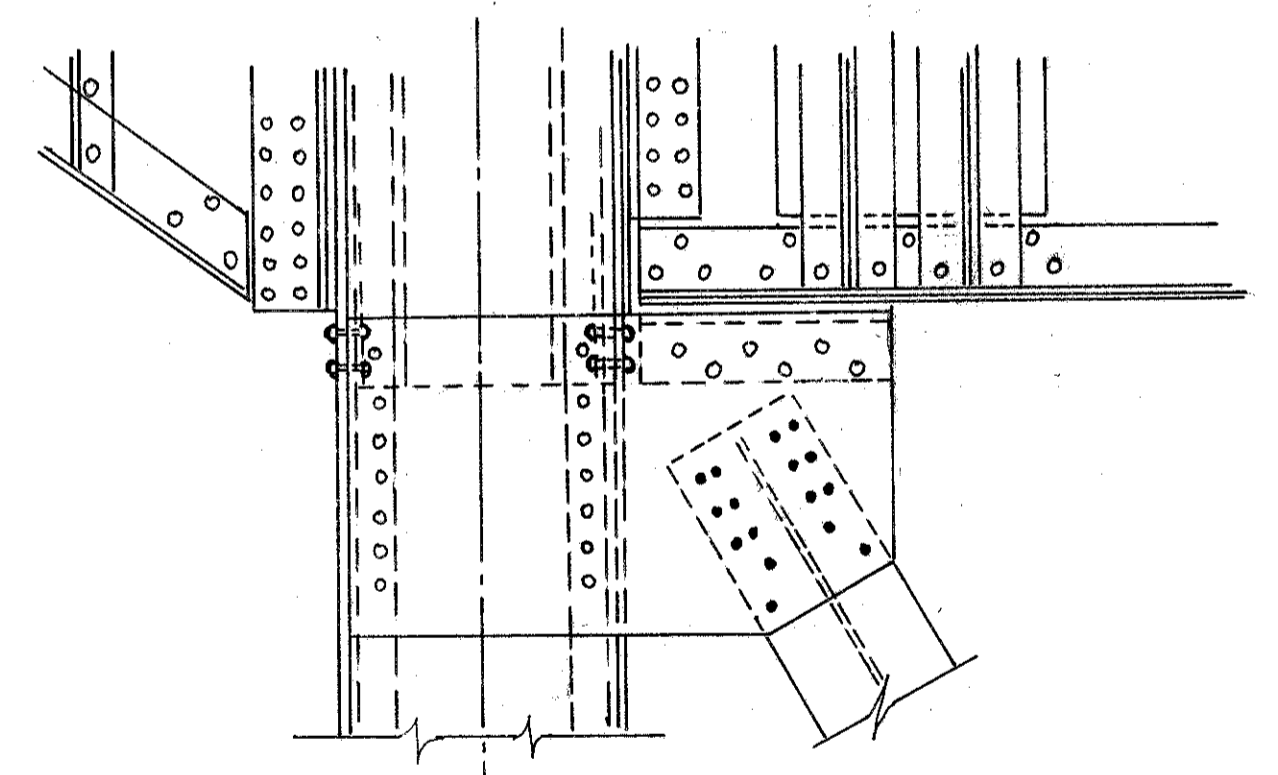
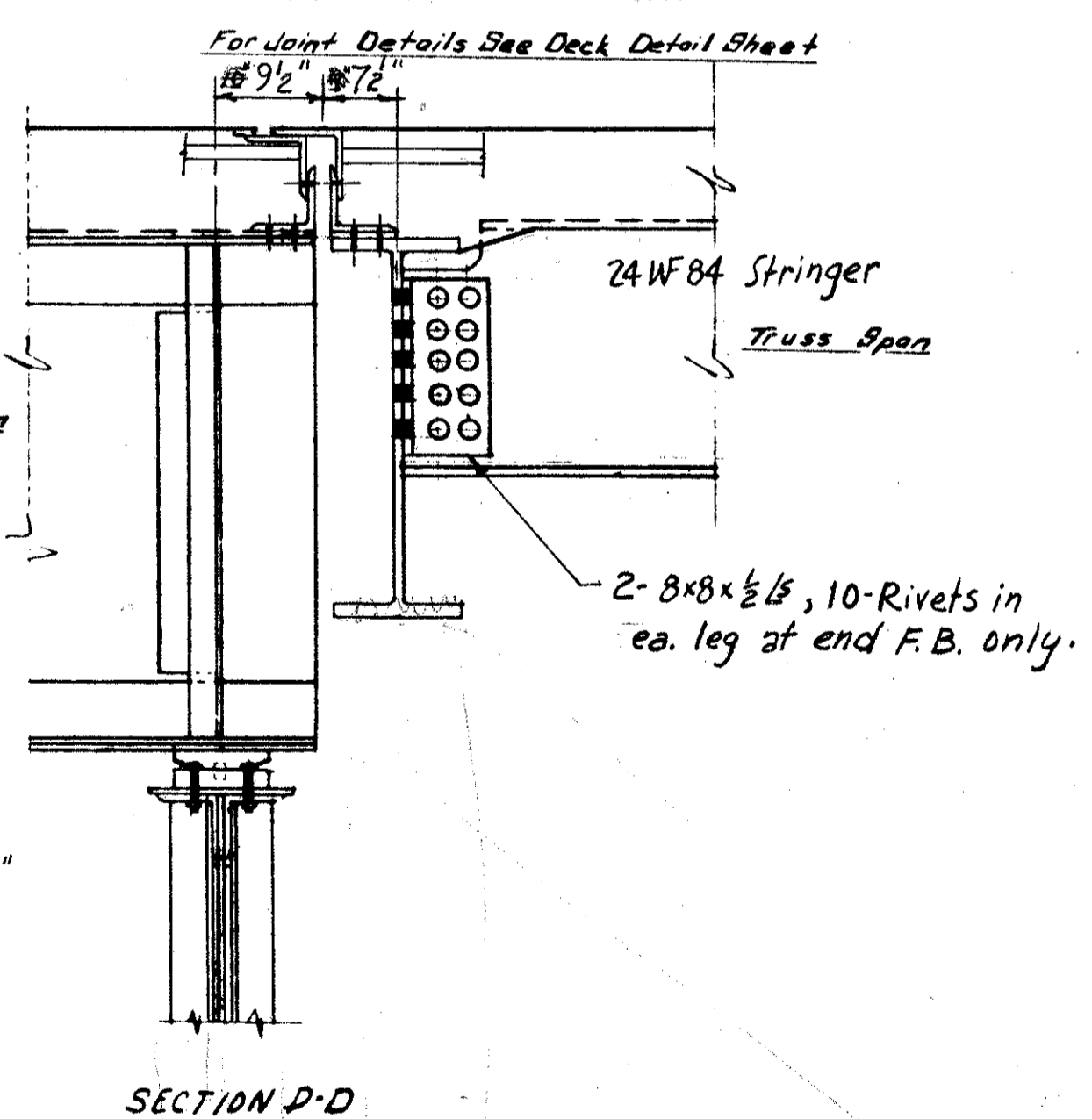
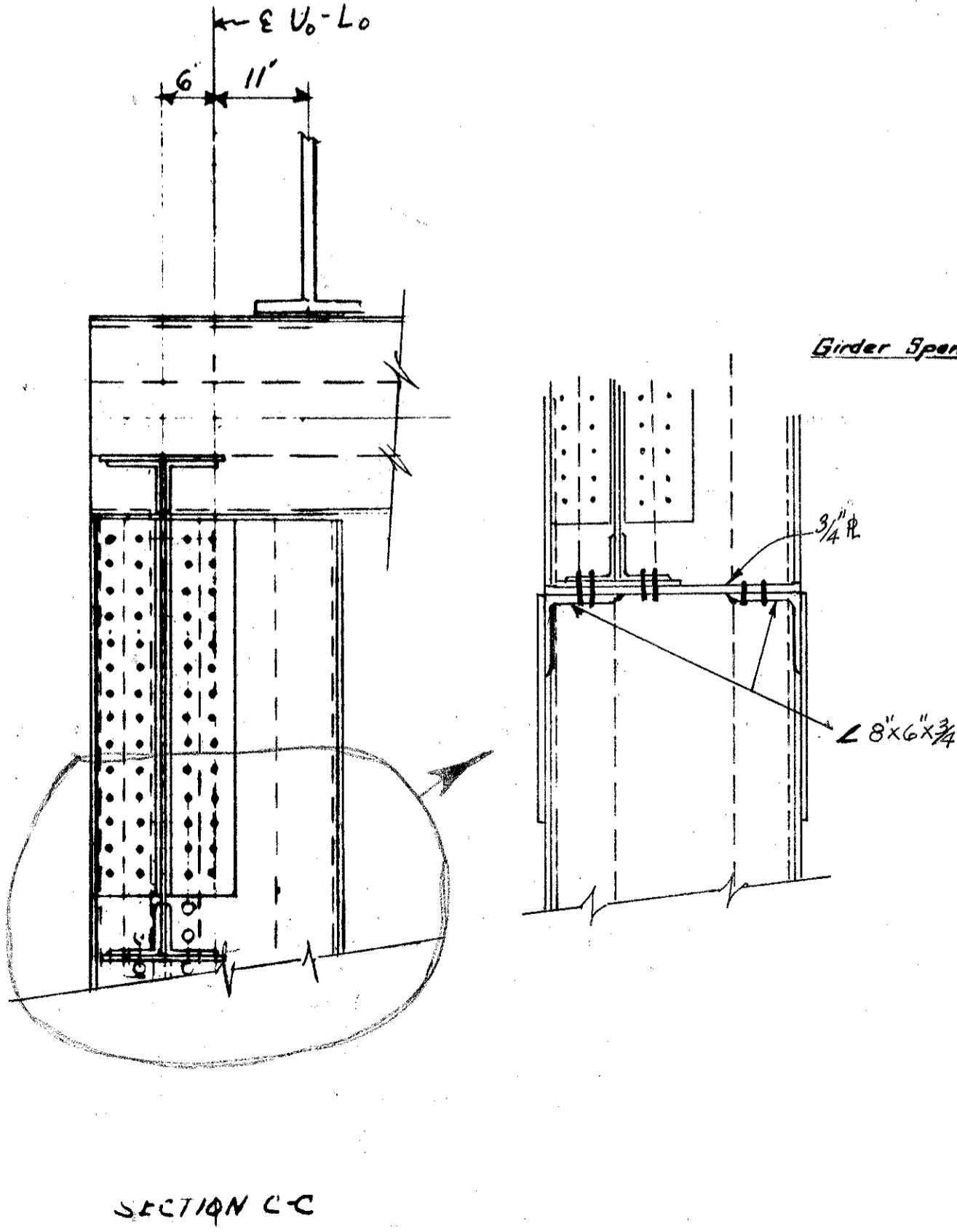
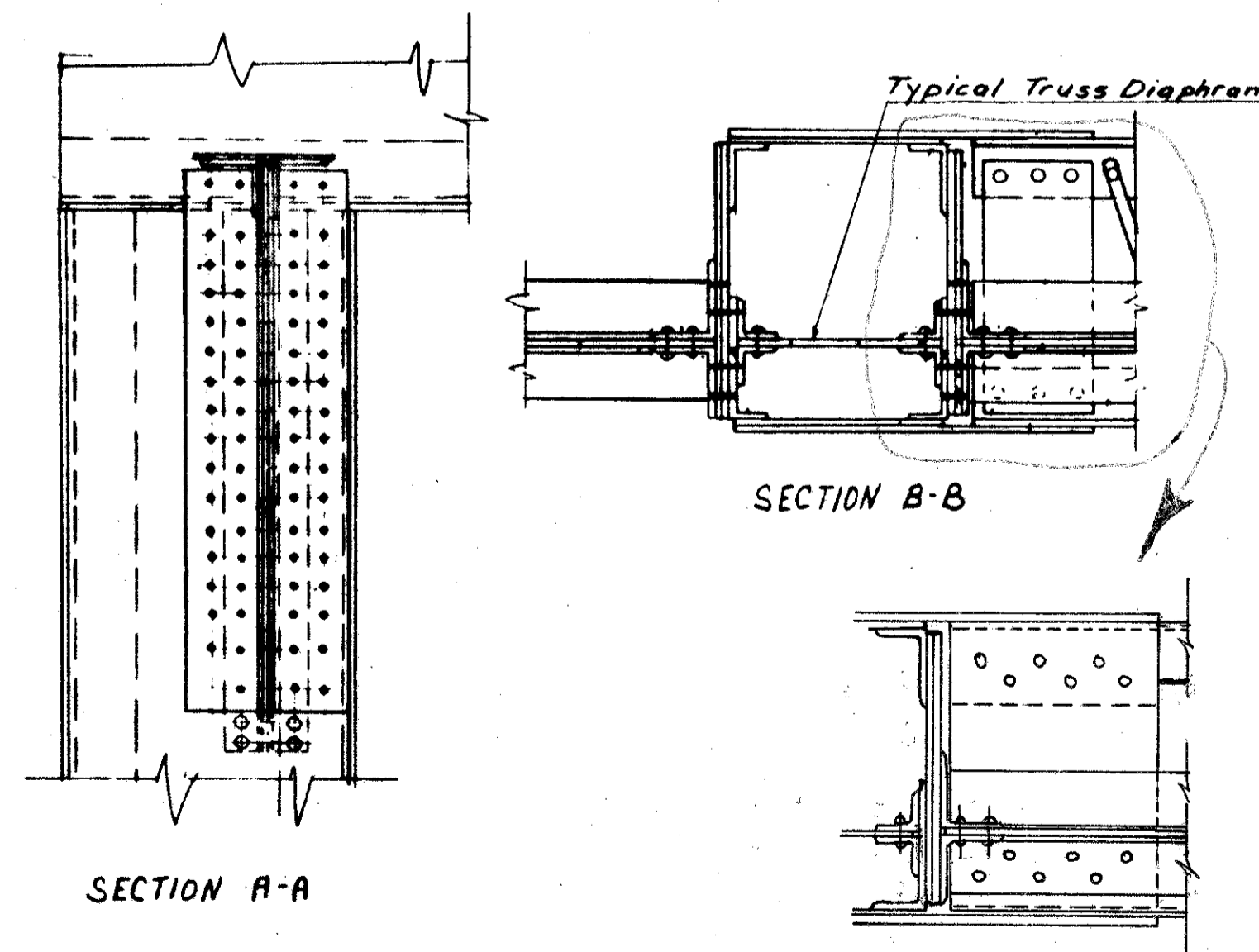


SECTIONAL VIEW OF PANEL POINT U_o DIMENSIONS ARE SHOWN LOOKING IN THE DIRECTION OF TRAFFIC MOVEMENT



BEARING DETAIL (Structural Steel)
For dowel detail see RB-1-55



REVISED DETAIL

This sheet is to be used for const. and supersedes Sheet No. 48 of the Bidding Plans. 9-16-58

SEC. C34-B FED. AID PROJ. ACI-1103(30)
PREPARED BY
CAPITOL ENGINEERING ASSOCIATES, OAKSBURG, OH.
FOR

STATE OF OHIO
DEPARTMENT OF HIGHWAYS

DETAIL OF PANEL POINT U_o
BRIDGE NO. LAK-1-22.52
OVER GRAND RIVER
LAKE COUNTY STA. 833+75.00

DESIGNED	DRAWN	TRACED	CHECKED	REVISED DATE	REVISED
				9-16-58	7-8-58