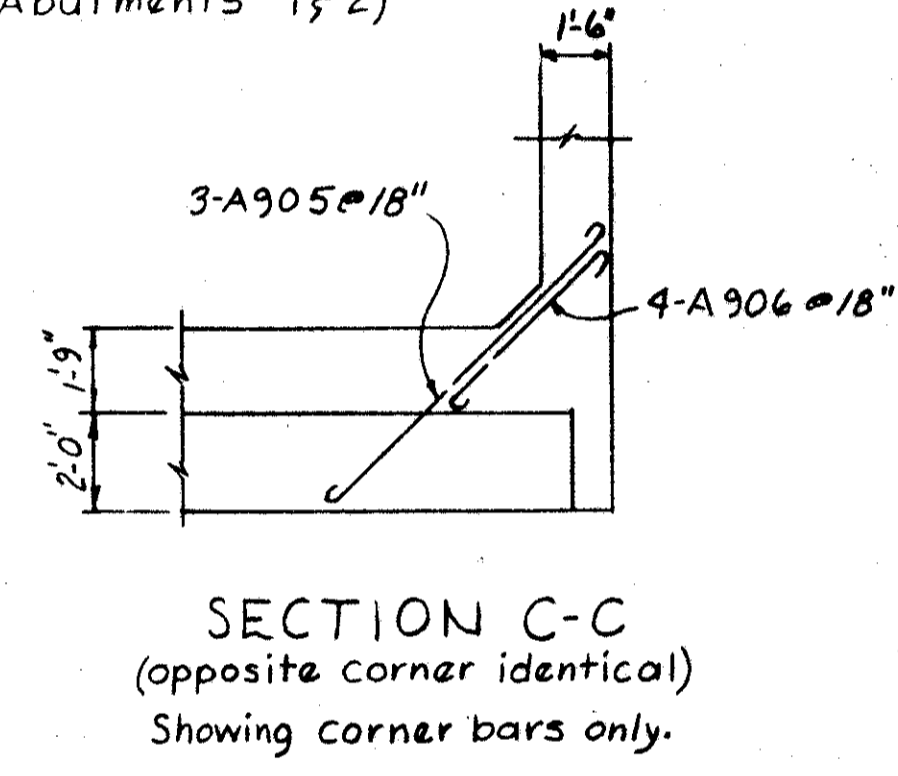
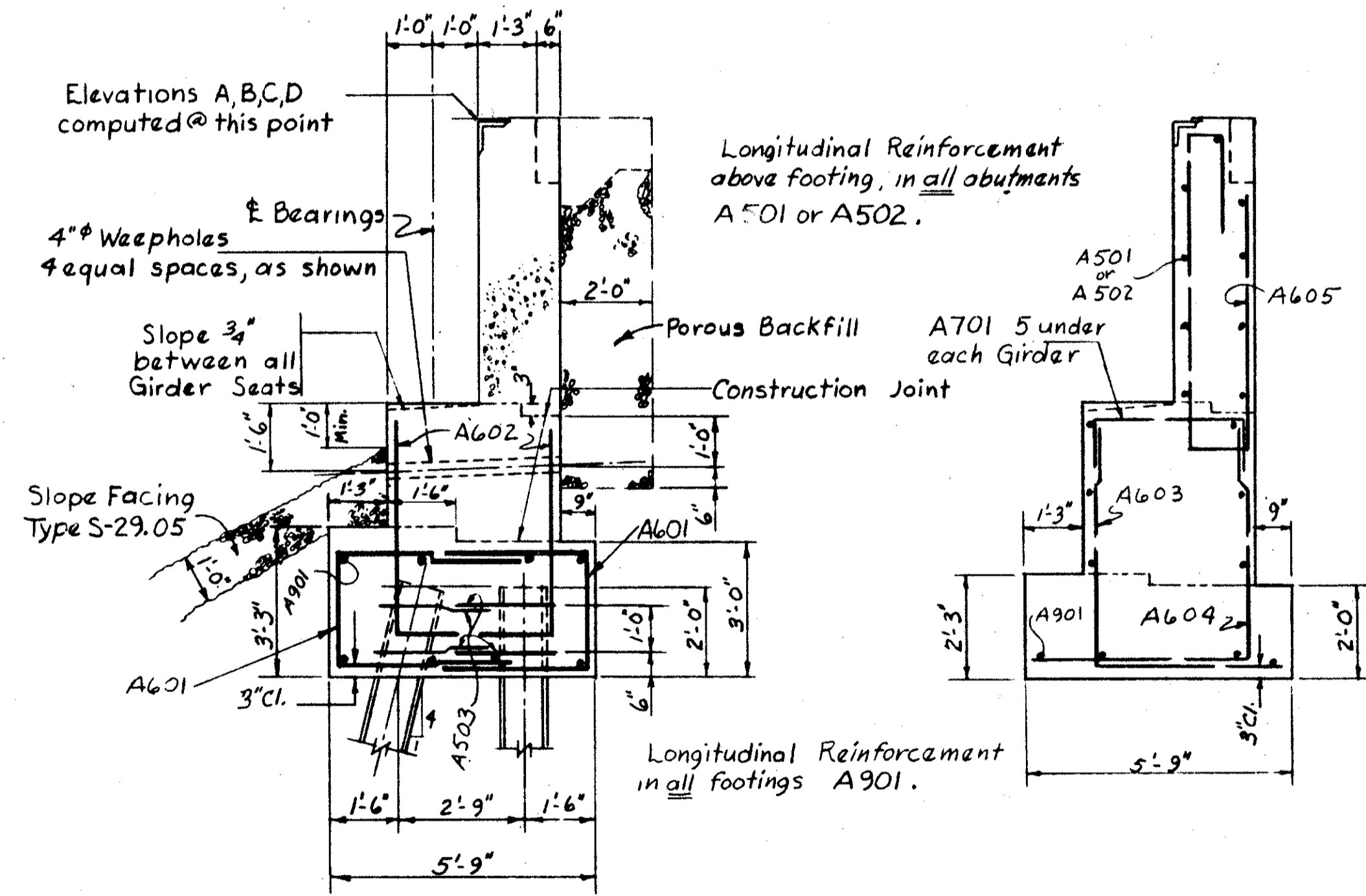


Abut. #1 Denotes West Bridge Rear Abutment
 Abut. #2 Denotes East Bridge Rear Abutment
 Abut. #3 Denotes West Bridge Forward Abutment
 Abut. #4 Denotes East Bridge forward Abutment



Notes:
 For End Dam 5' Curb Plate details see Sheet 51a.
 Reinforcing Steel; 2" of cover unless shown otherwise.
 Max. Foundation pressure for Abutments 1 1/2 2 = 3.35 Tons.
 Pile Design Load for Abutments 3 1/2 4 = 25 Ton per pile.
 For addition notes see "General Notes".

This sheet supersedes Sheet No. (41) of the Bidding Plans & is to be used for construction. 9-16-58

SEC. C-34-B FED. AID PROJ. N° ACI-1103(30)
 PREPARED BY
 CAPITOL ENGINEERING ASSOCIATES, DILLSBURG, PA.
 FOR

STATE OF OHIO
 DEPARTMENT OF HIGHWAYS

ABUTMENT DETAILS
 BRIDGE N° LAK-1-2252
 OVER GRAND RIVER
 LAKE COUNTY Sta. 833+75.00

ELEVATIONS

Location	A	B	C	D	E	F	G	H	J	K	L
Abut. #1	803.83	803.64	803.56	803.47	797.37	797.49	797.64	797.53	797.71	797.28	797.28
Abut. #2	803.69	803.50	803.42	803.33	797.23	797.35	797.50	797.39	797.27	797.14	797.14
Abut. #3	801.12	800.93	800.85	800.76	794.66	794.78	794.93	794.82	794.70	794.57	788.57
Abut. #4	800.98	800.79	800.71	800.62	794.52	794.64	794.79	794.68	794.56	794.43	788.43