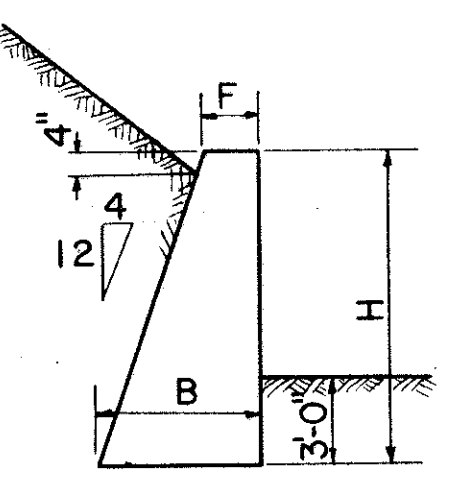
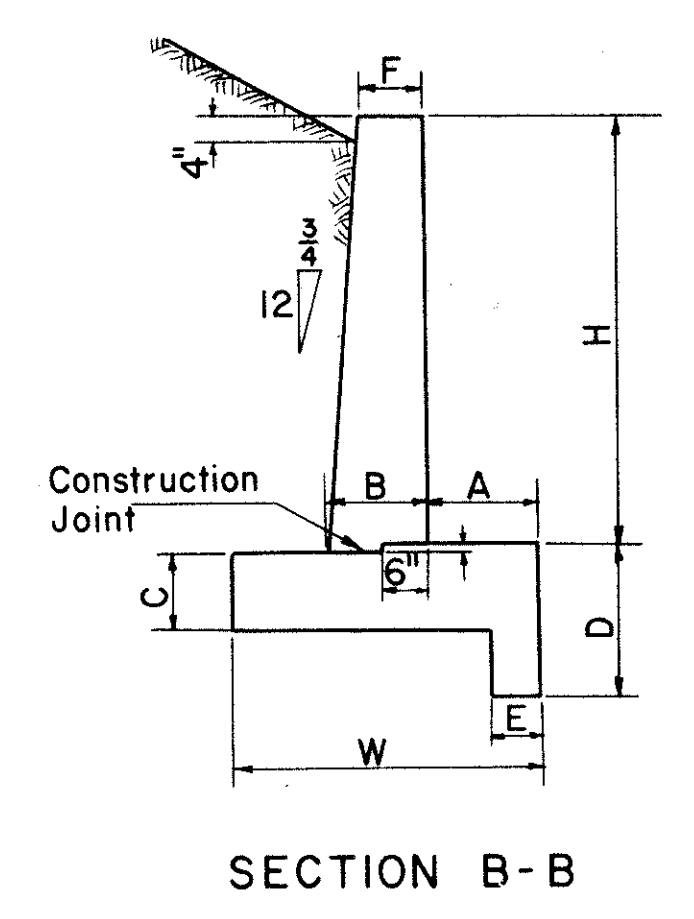
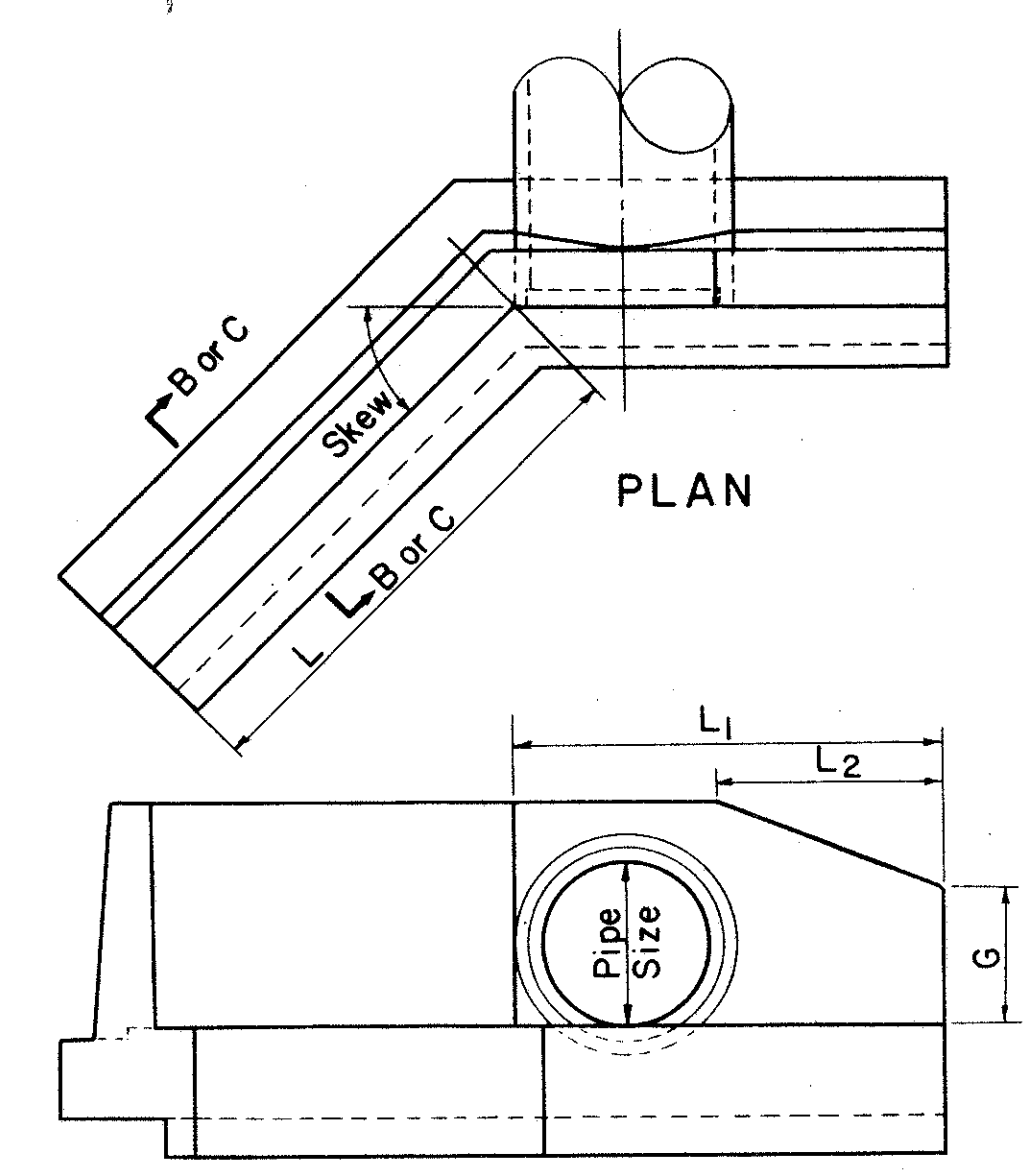


LAKE COUNTY
LAK-I-22.43

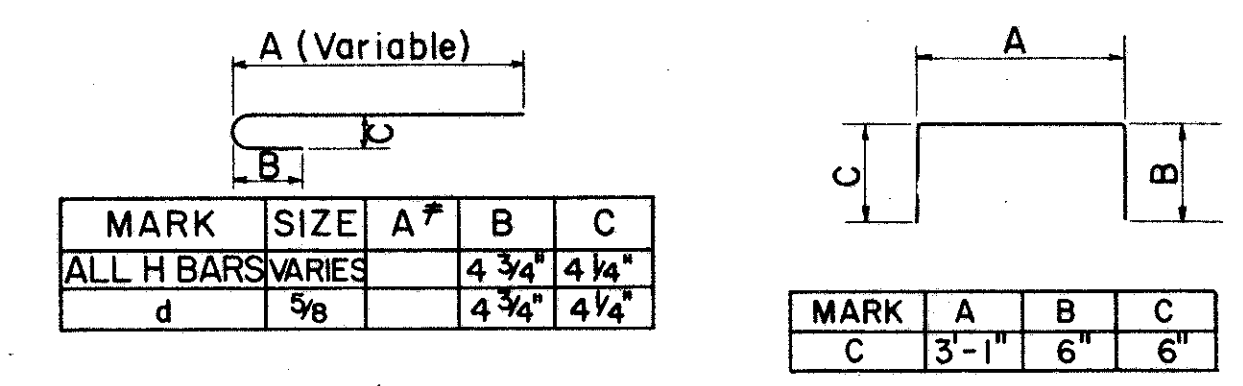
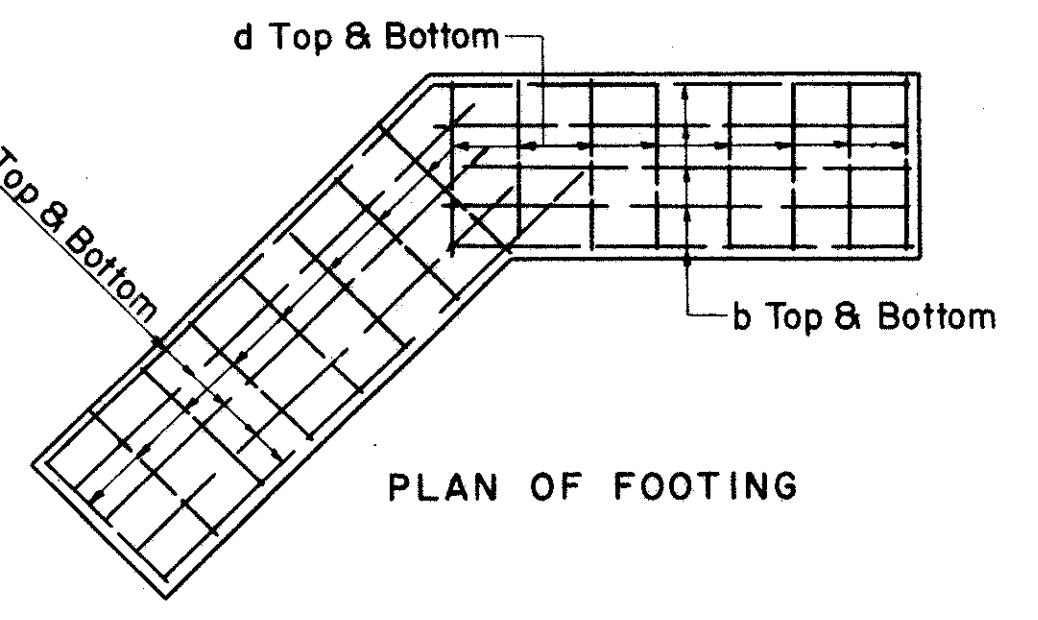
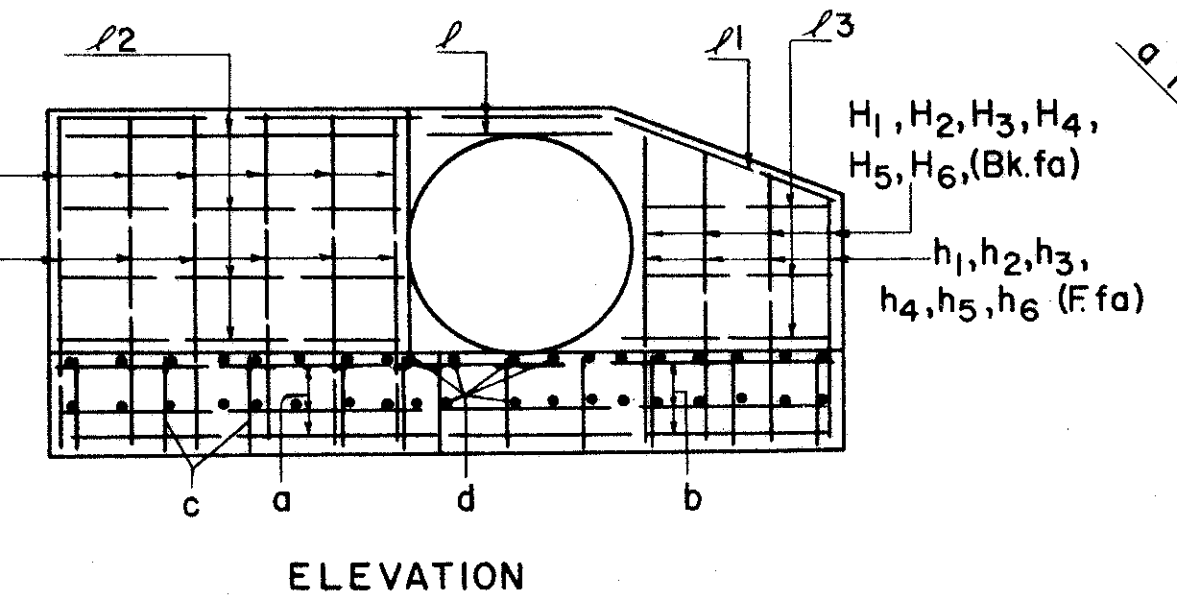
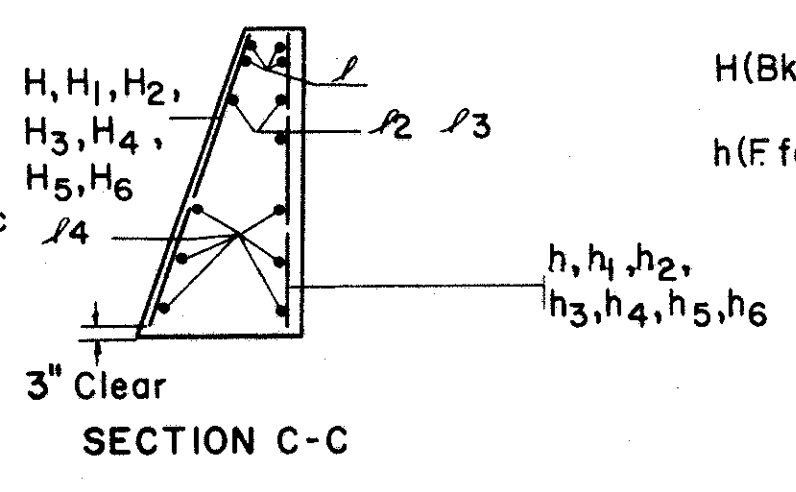
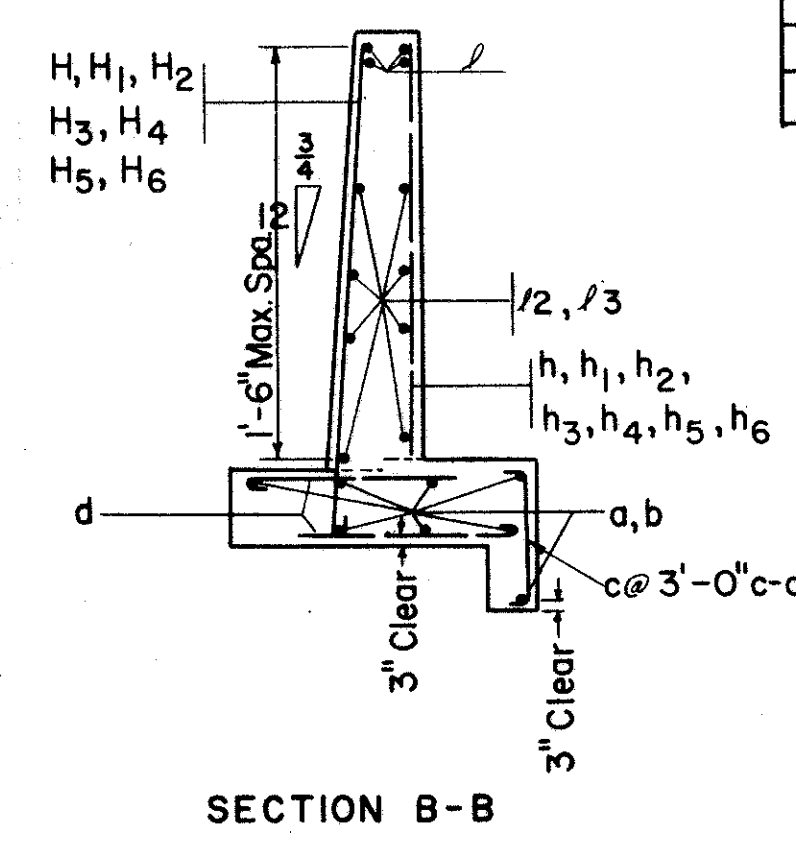


HEADWALL DIMENSIONS

STRUCTURE NO.	STATION*	PIPE SIZE	H	L	L ₁	L ₂	W	A	B	C	D	E	F	G
LAK I-2200	843+50 RT.	24"	3'-0"	6'-1"	6'-1"	3'-10"	—	—	3'-0 3/8"	—	—	—	1'-0"	5'-3"

REINFORCING STEEL LIST & CONCRETE QUANTITIES

STRUCTURE NO.	STATION*	PIPE SIZE	SKEW	MARK NO.		MARK NO.		MARK NO.		MARK NO.		MARK NO.		MARK NO.		MARK NO.		MARK NO.		MARK NO.		MARK NO.		S-4* REINFORCING STEEL LBS.	S-1* CLASS "C" CONCRETE CU. YDS.	STRUCTURE DETAILS SHEET NO.																
				a	b	c	d	l	l1	l2	l3	l4	H	H1	H2	H3	H4	h	h1	h2	h3	h4																				
LAK I-2200	843+50 RT.	24"	31°	—	—	—	—	—	—	8-2	4	3-8	2	5-9	2	3-4	4	12-0	6	6-0	4	6-0	1	5-7	1	5-2	1	—	—	5-8	4	5-8	1	5-3	1	4-10	1	—	—	245	5.1	



NOTE:
For additional information see Std. Constr. Dwg. Hdwl. A, B & C.
Mark l and l4 bars to be bent in field.

*NOTE:
Quantities shown are for one Hdwl.
Vertical Bars spaced @ 2'-0" c-c
Horizontal Bars spaced @ 1'-6" c-c Max.