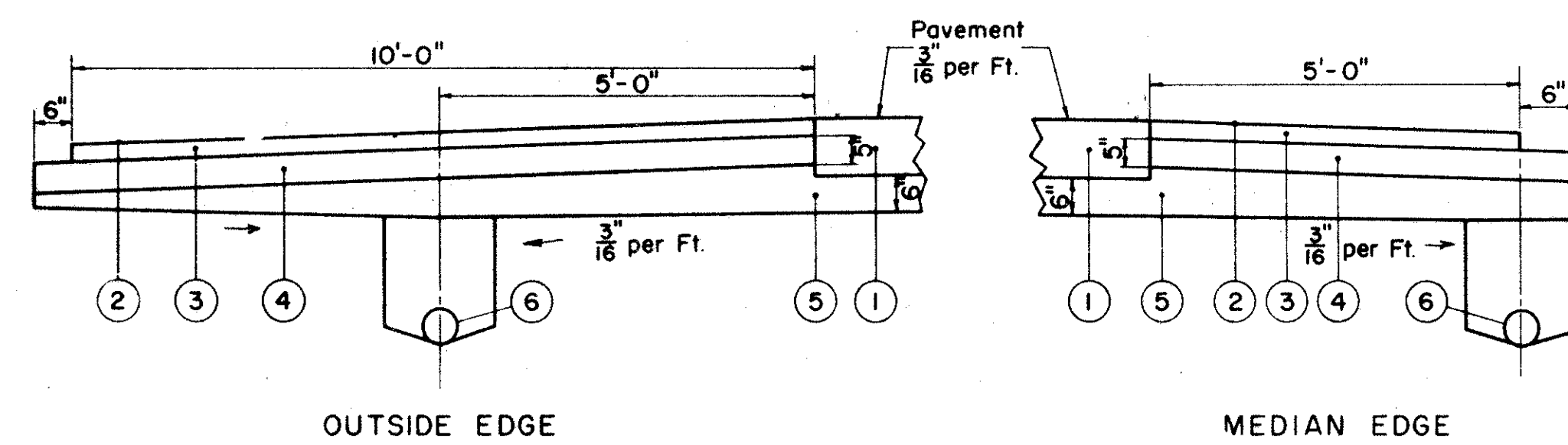
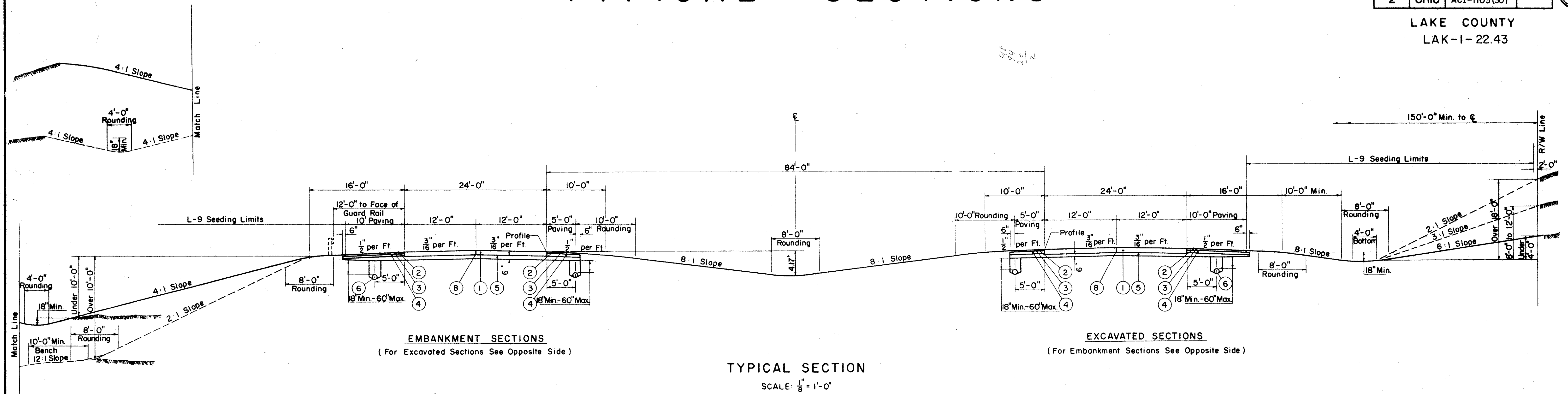


TYPICAL SECTIONS

FED. RD. DIVISION	STATE	PROJECT	2
2	OHIO	ACI-1103(30)	55

LAKE COUNTY
LAK-1-22.43



PAVED SHOULDER DETAIL

SCALE: $\frac{1}{2}'' = 1'-0''$

LEGEND

- ① T-71 10" Reinforced Portland Cement Pavement.
- ② T-31 Bituminous Surface Treatment.
- ③ B-33 3" Bituminous Macadam Base Course.
- ④ I-18 5" Stabilized Crushed Aggregate Shoulders & Approaches.
- ⑤ I-22 Variable Depth Subbase.
- ⑥ I-4 6" Pipe Underdrain. *Sec. M 6.4(h) thru Rock Cut.
- ⑦ L-9 Seeding & Protecting Roadway Areas.
- ⑧ Standard Longitudinal Joint.