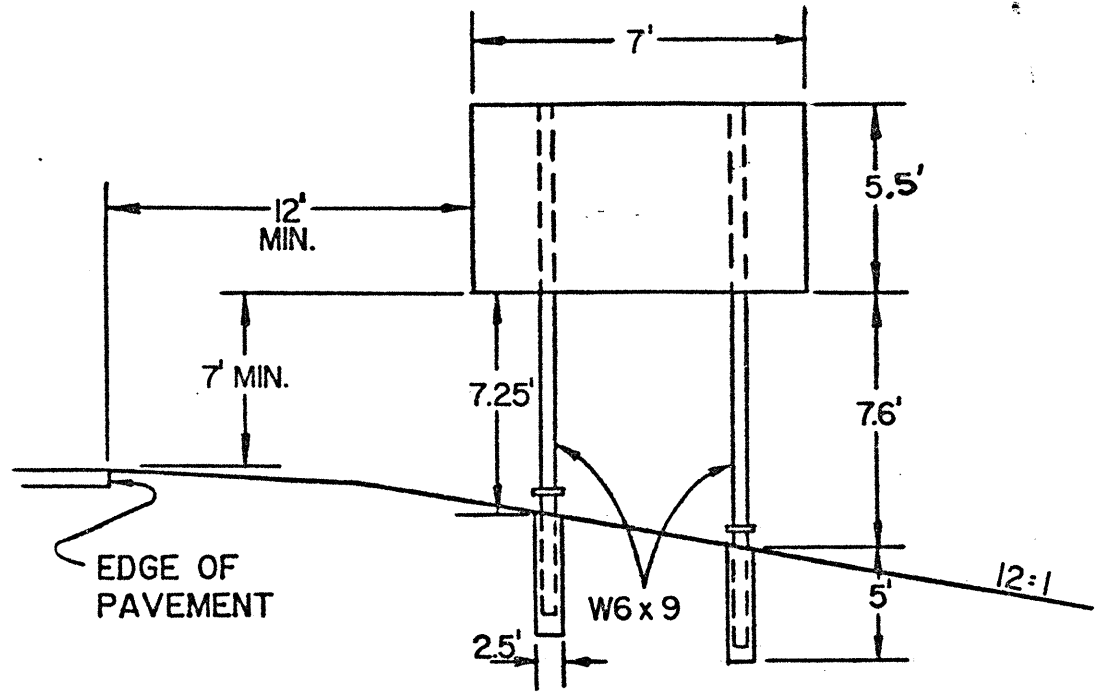


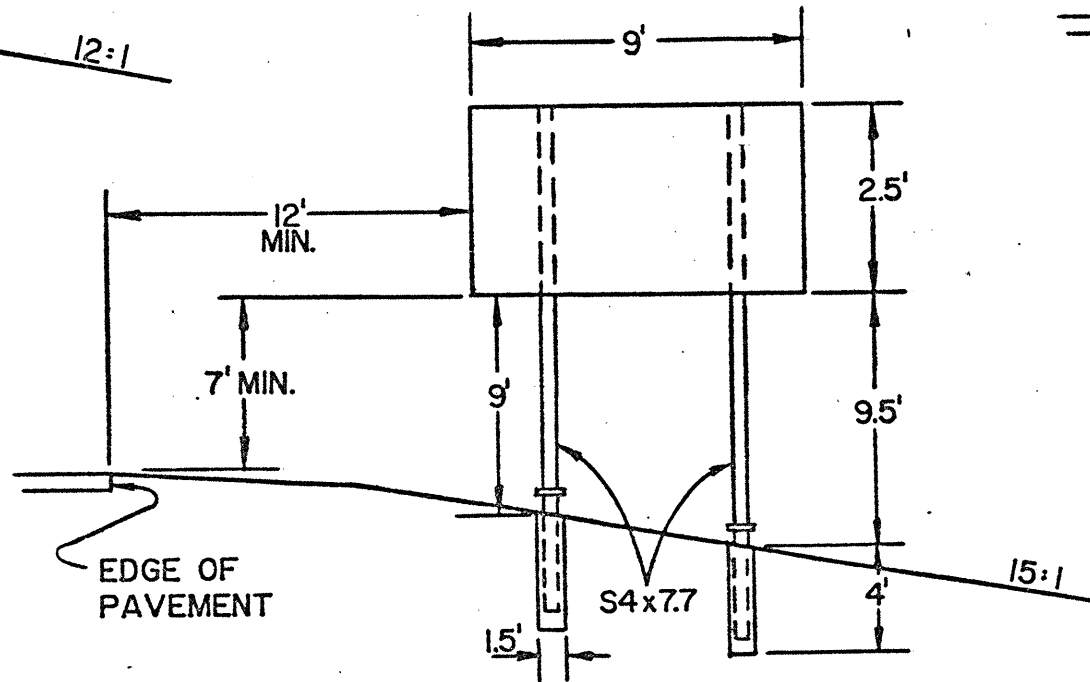
SIGN ELEVATION VIEW

LAKE COUNTY
LAK-90-21.51

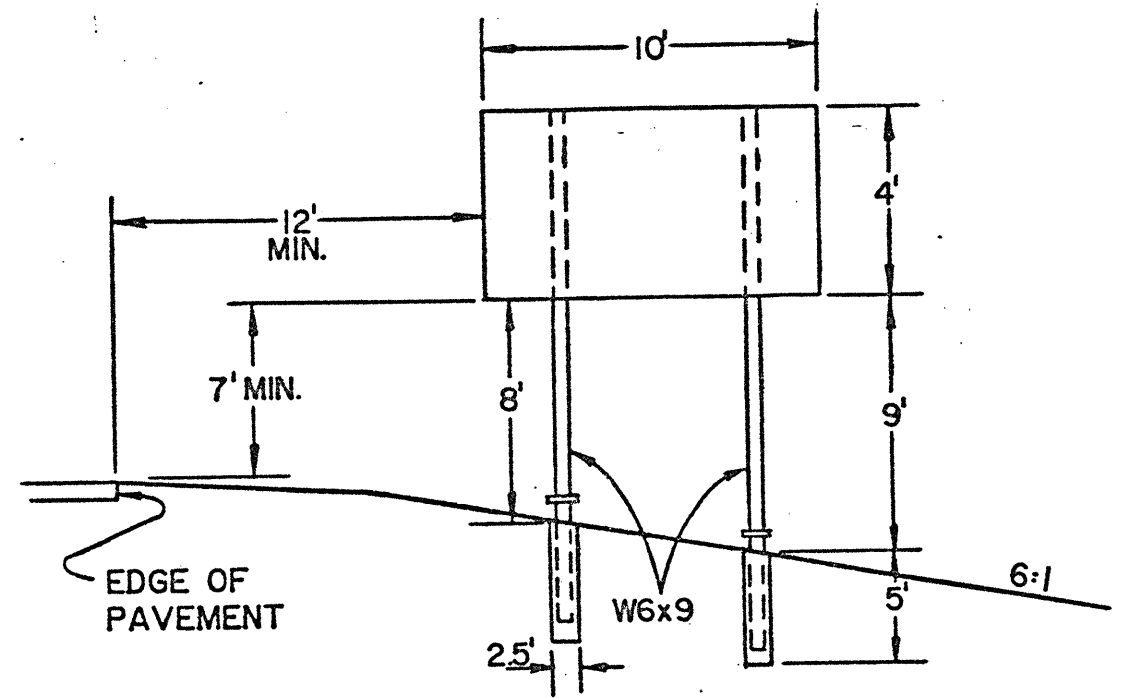
80
81



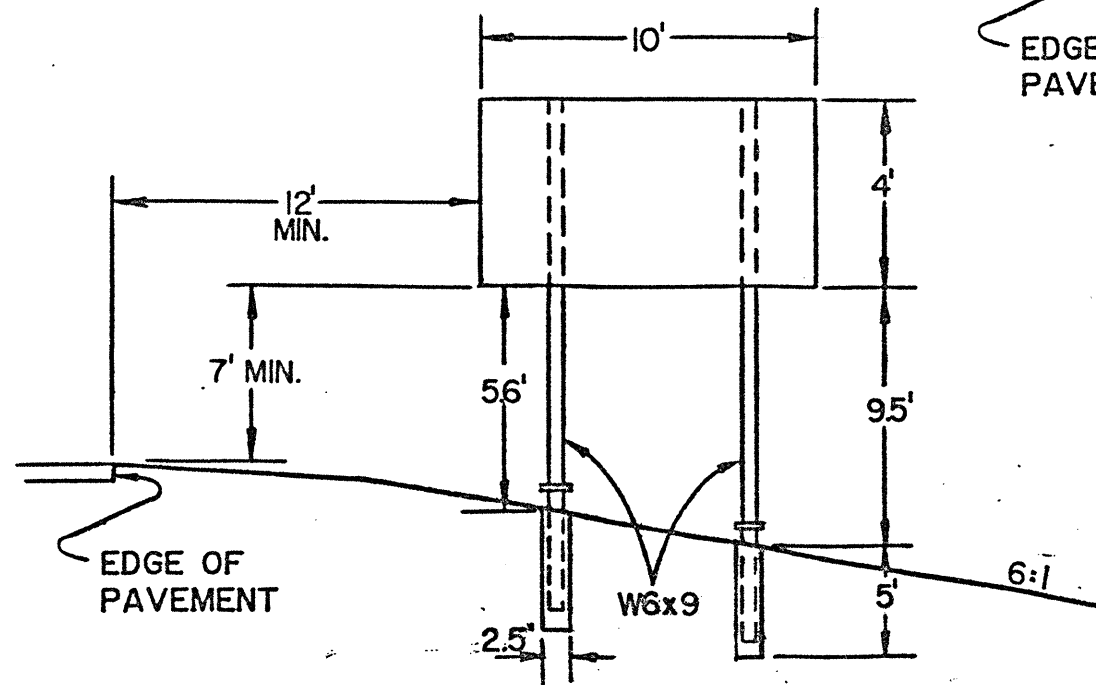
SIGN NO. 120, 121
STA. 35+00
S.R. 528 S.B.



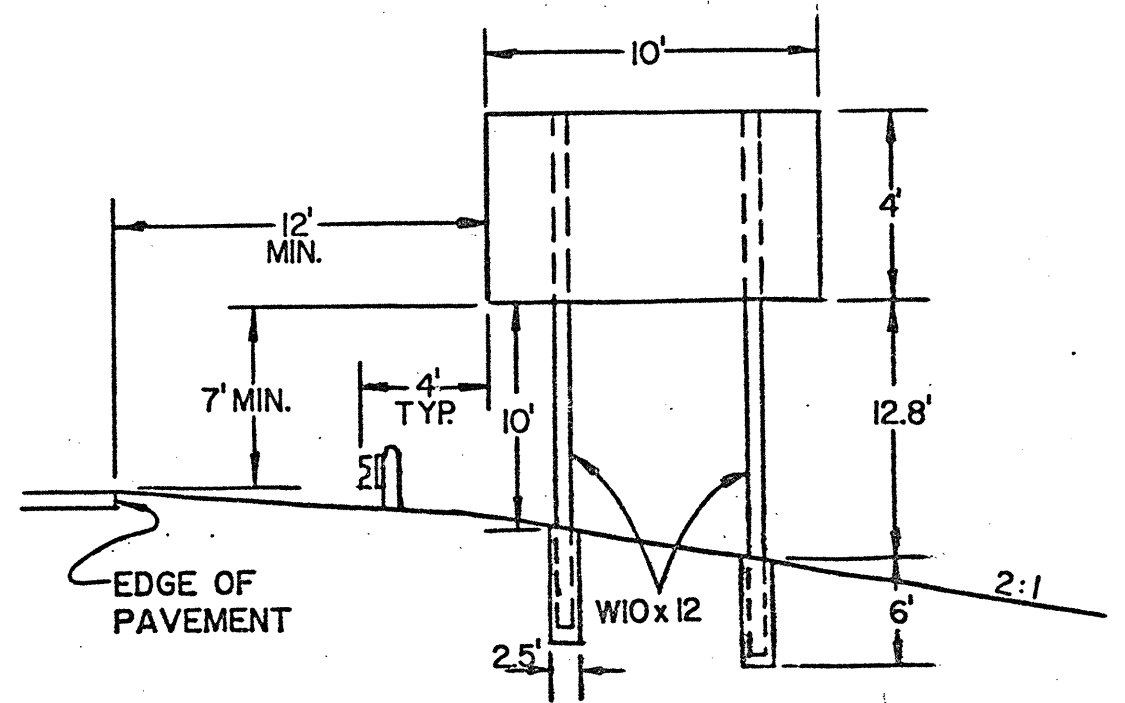
SIGN NO. 123
STA. 42+00
S.R. 528 S.B.



SIGN NO. 128
STA. 10+00 (RT.)
RAMP I



SIGN NO. 122
STA. 40+60
S.R. 528 S.B.



SIGN NO. 155
STA. 2+70 (RT.)
RAMP K

Not To Scale