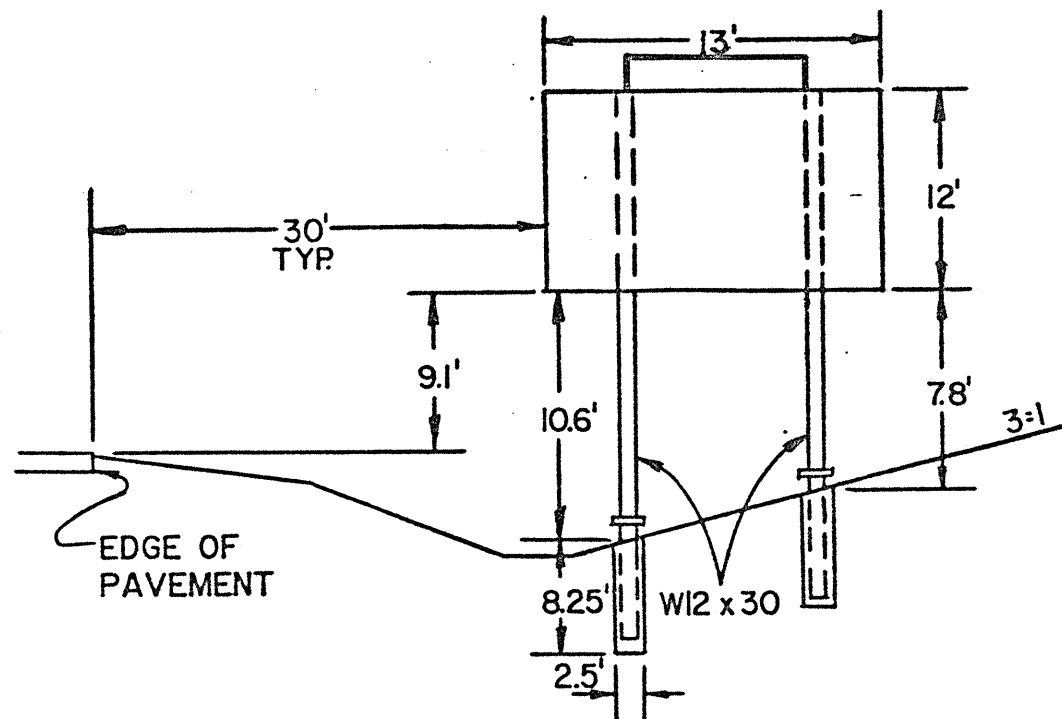


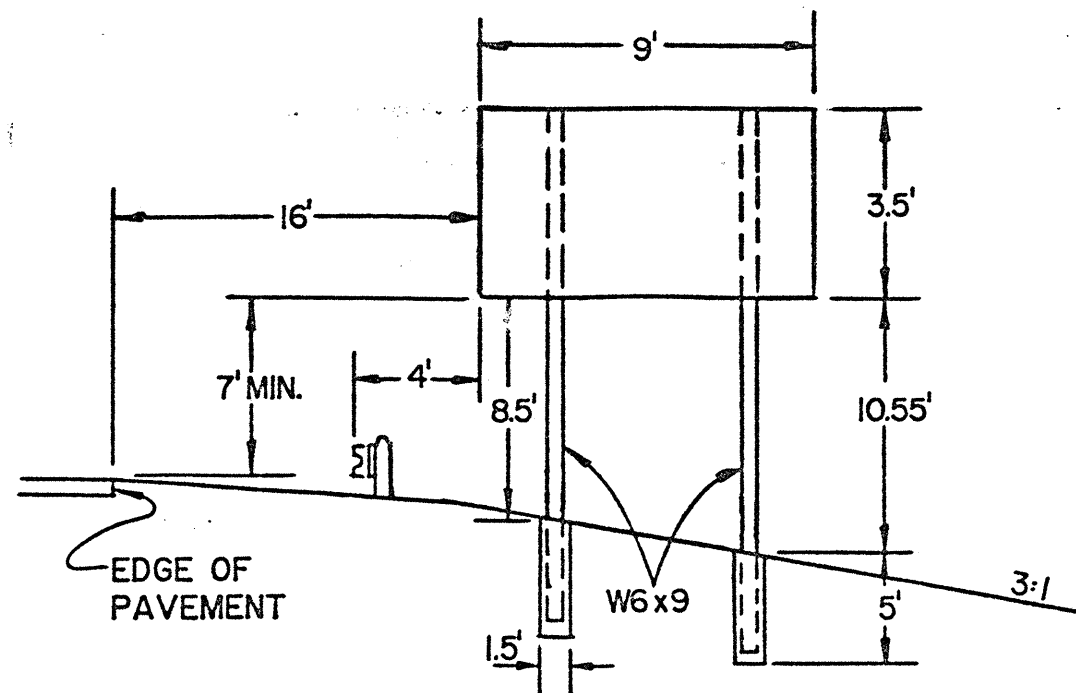
SIGN ELEVATION VIEW

LAKE COUNTY
LAK-90-21.51

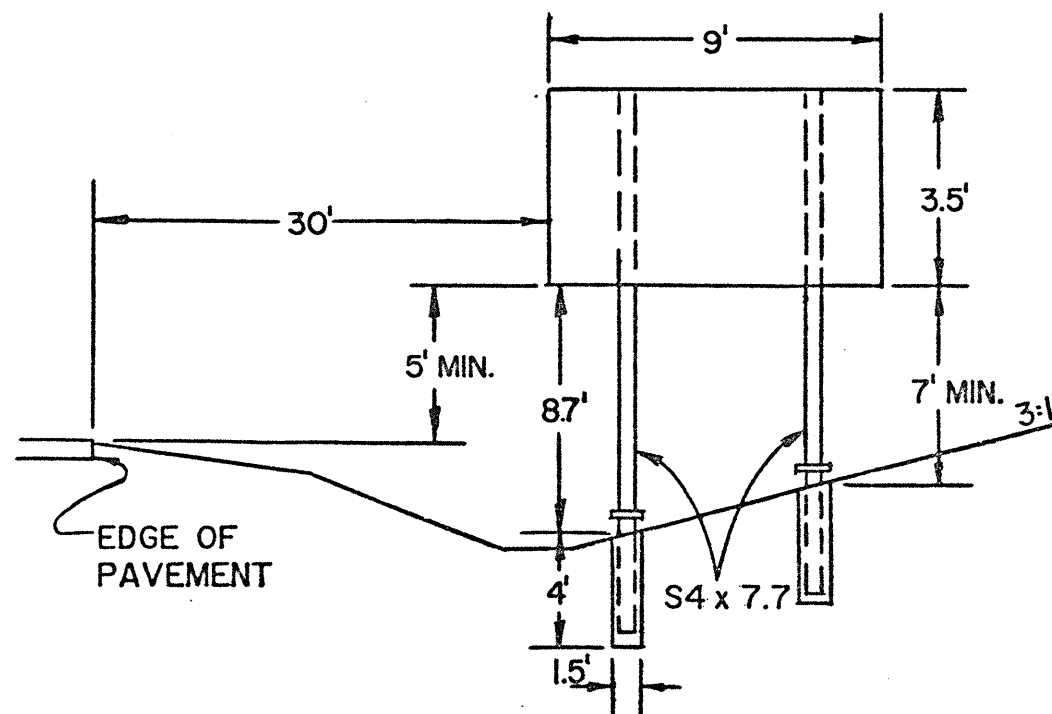
77
81



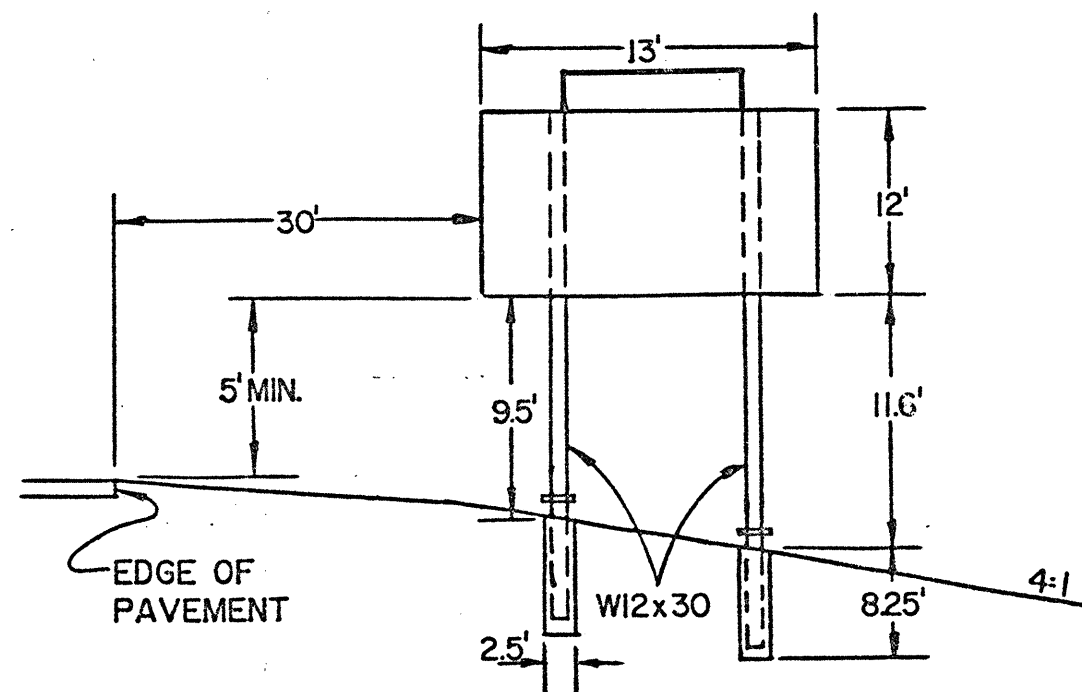
SIGN NO. 61
STA. 1027+14
I-90 E.B.



SIGN NO. 69
STA. 13+65
I-90 W.B.



SIGN NO. 62
STA. 1031+33
I-90 E.B.



SIGN NO. 74A
STA. 29+00
I-90 W.B.

NOT TO SCALE