

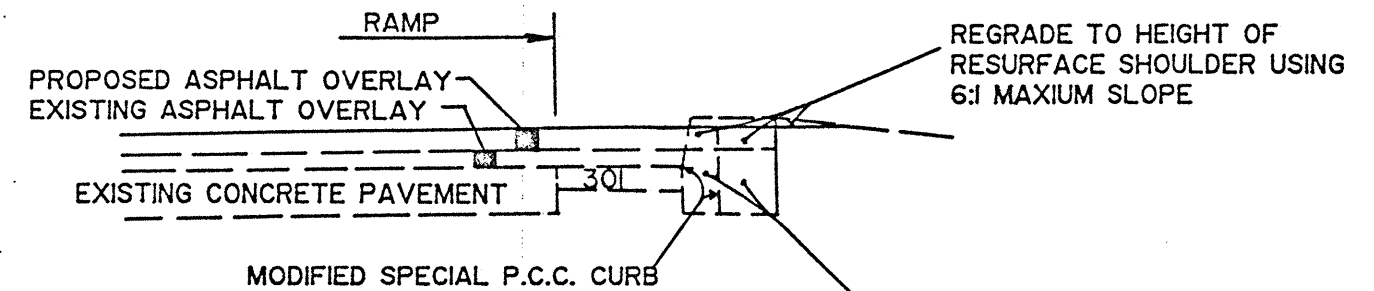
ITEM 202 - CURB REMOVED, AS PER PLAN

THE FOLLOWING DETAILS AND SPECIFICATIONS SHALL APPLY TO THIS ITEM OF WORK

RAMP STATIONS		RAMP	CASE	202	202	604	REFERENCE NUMBER
FROM	TO			CURB REMOVED AS PER PLAN	CATCH BASIN REMOVED	CATCH BASIN ADJUSTED TO GRADE	
				LIN. FT.	EACH	EACH	
0 + 0.00	4 + 82.00	J	II	482			1-C
4 + 82.00	5 + 0.00	J	I	18			2-C
6 + 90.00		K				1	1-D
8 + 68.60	9 + 24.60	L	I	56			3-C
9 + 24.60	13 + 72.60	L	II	448	1		2-D/4-C
TOTAL				1004	1	1	

CASE I -

MODIFIED SPECIAL PORTLAND CEMENT CONCRETE CURB REMOVED

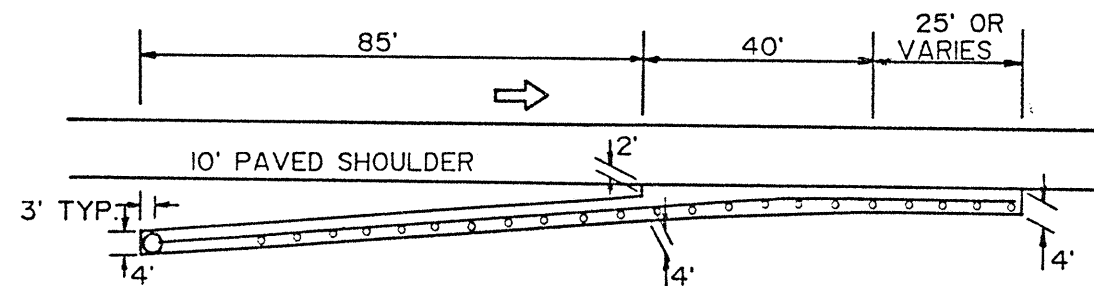
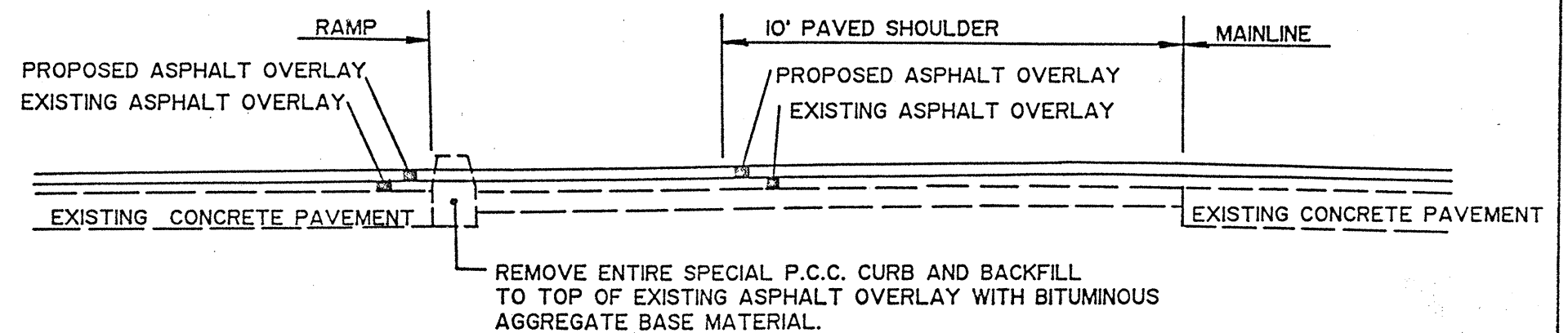


NOTE: RESTORE DISTURBED AREA IN CONFORMANCE WITH ITEM 659.

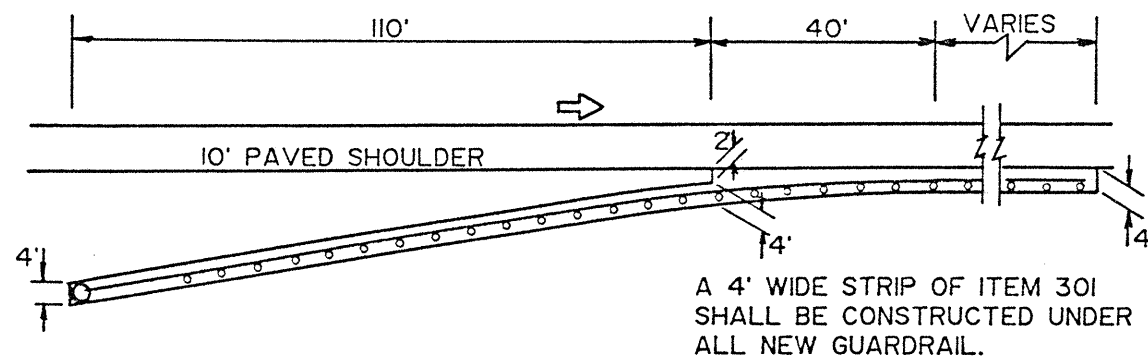
NOTE: ALL WORK SHOWN SHALL BE INCLUDED UNDER ITEM 202 (WITH THE EXCEPTION OF THE ASPHALT OVERLAY).

CASE II -

SPECIAL PORTLAND CEMENT CONCRETE CURB REMOVED



ITEM 301 FOR EROSION CONTROL WITH 8.31' GUARDRAIL FLAIR



ITEM 301 FOR EROSION CONTROL WITH 18' GUARDRAIL FLAIR

A 4' WIDE STRIP OF ITEM 301 SHALL BE CONSTRUCTED UNDER ALL NEW GUARDRAIL.