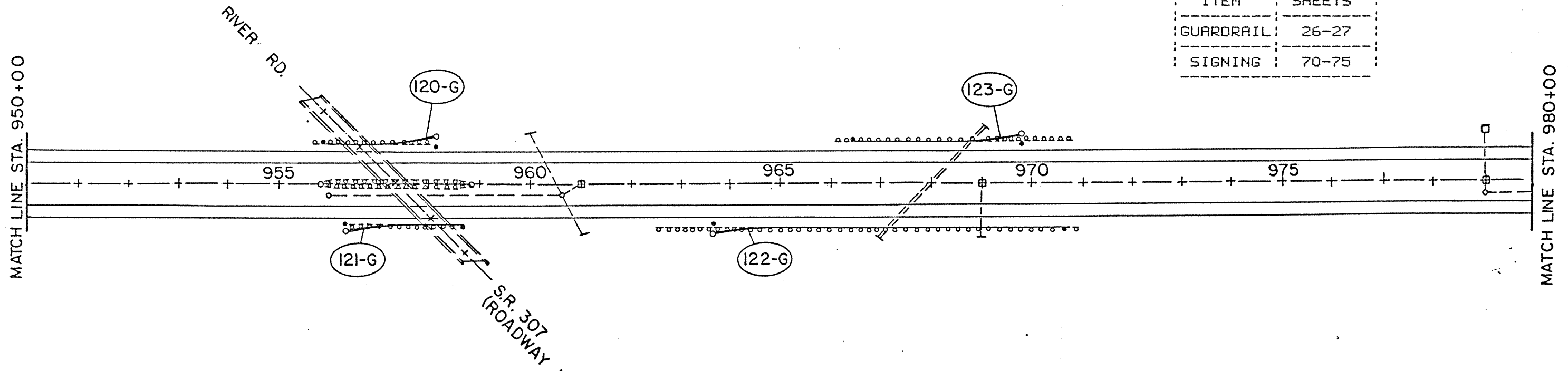


CROSS REFERENCE	
ITEM	SHEETS
GUARDRAIL	26-27
SIGNING	70-75



SIGN NO.	WORK DESCRIPTION
46	REMOVE EXISTING GROUND MOUNTED SIGN.
44, 45, 52	REMOVE EXISTING GROUND MOUNTED SIGN AND GROUND MOUNTED SUPPORT. ERECT NEW GROUND MOUNTED SIGN AND SUPPORT.
47	REMOVE EXISTING GROUND MOUNTED SIGN. ERECT NEW GROUND MOUNTED SIGN ON EXISTING SUPPORTS.

S.R. 307
(ROADWAY LOWERING EB)

