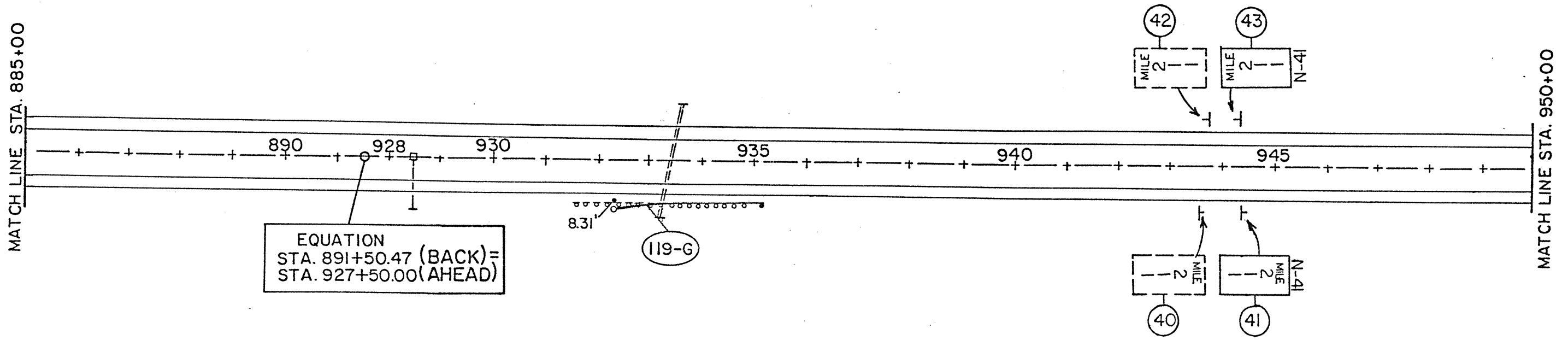
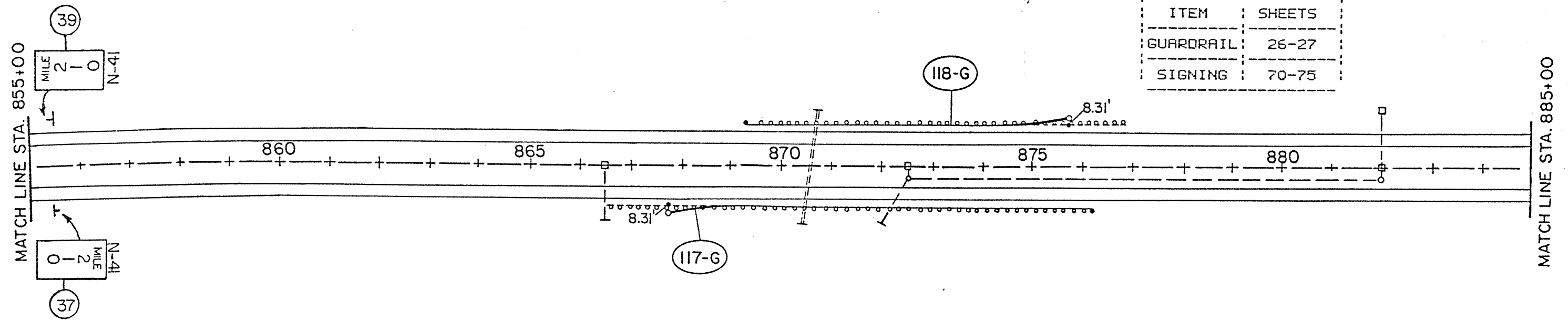


CROSS REFERENCE	
ITEM	SHEETS
GUARDRAIL	26-27
SIGNING	70-75



EQUATION
 STA. 891+50.47 (BACK) =
 STA. 927+50.00 (AHEAD)