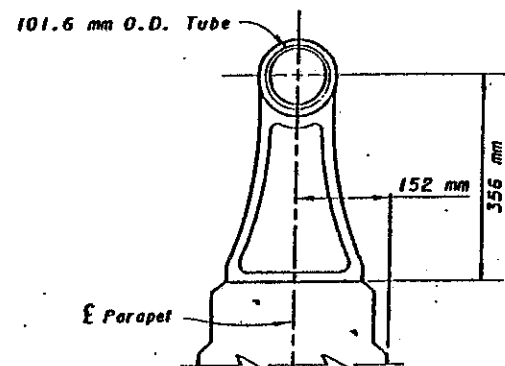
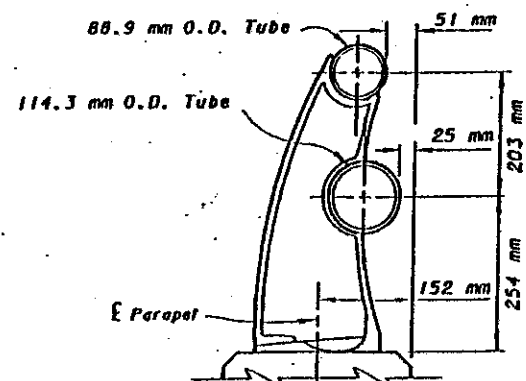


See Standard Drawing AR-1-57.
Use curved fence or straight 2450 mm high fence
as determined by curb or sidewalk width and
and Base Plates BP-1, BP-2, BP-3 or BP-4.



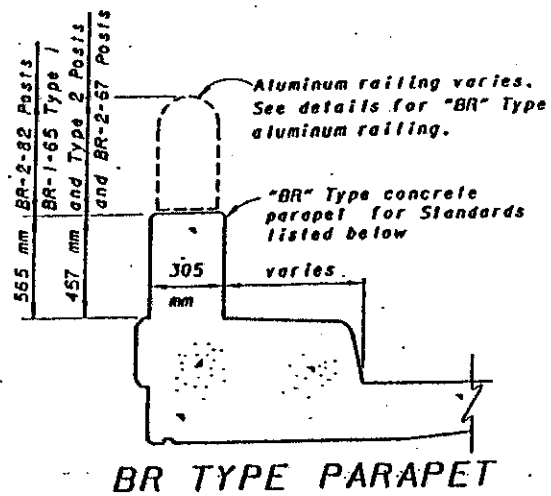
Aluminum railing
for Standard Drawing
AR-1-57 with Type A Posts



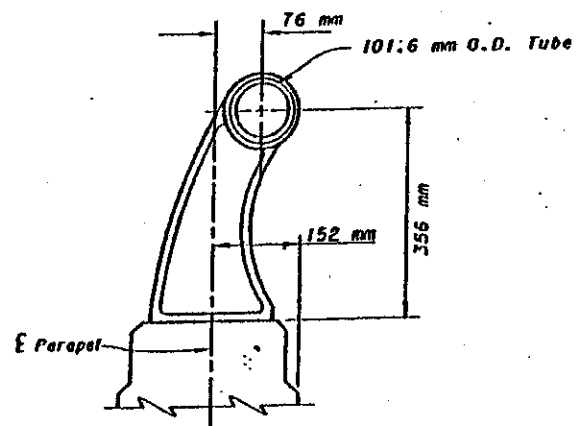
Aluminum railing for Standard
Drawings BR-2-82, BR-2-67 and
BR-1-65 with Type 2 Posts

BR TYPE ALUMINUM RAILING

RAILING TYPES

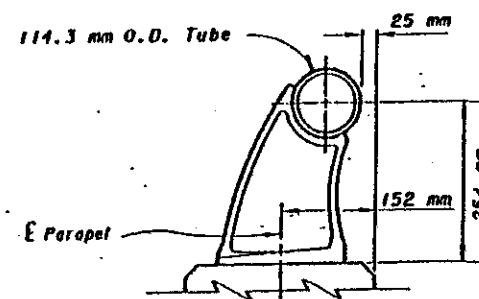


See Standard Drawings BR-2-82, BR-2-67 and
BR-1-65. Use curved fence or straight 2450 mm
high fence as determined by curb or sidewalk
width and Base Plate BP-1.



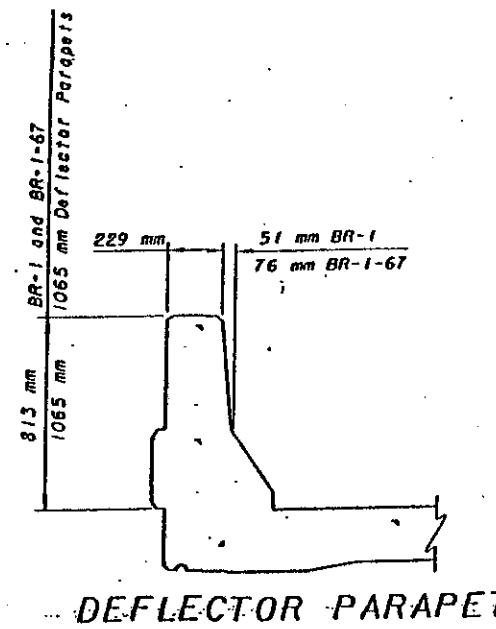
Aluminum railing
for Standard Drawing
AR-1-57 with Type B Posts

AR TYPE ALUMINUM RAILING

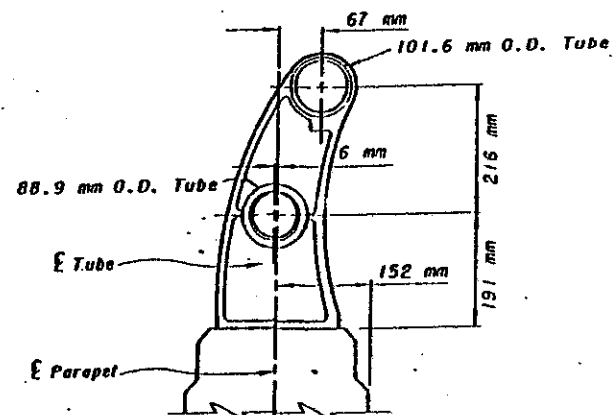


Aluminum railing for
Standard Drawing
BR-1-65 with Type 1 Posts

Base plate threaded anchors
are designed for a minimum
concrete strength of
 $f_c' = 28$ MPa. Special designs
required for concrete
strengths less than this.



See Standard Drawings BR-1 & BR-1-67 and
1065 mm Deflector Parapet. Use straight
1850 mm high fence and Base Plate BP-5.



Aluminum railing
for Standard Drawing
AR-1-57 with Type C Posts

STANDARD DRAWING	REVISIONS		CHECKED		REVIEWED		STATE OF OHIO DEPARTMENT OF TRANSPORTATION		DESIGN AGENCY
	JCR	GFJ/RJS	RLD	WTF/LMW	DRAWING NO.		DATE		BUREAU OF BRIDGES AND STRUCTURAL DESIGN
VANDAL PROTECTION FENCE GENERAL NOTES AND RAILING TYPES							8-20-85		
							2/7		