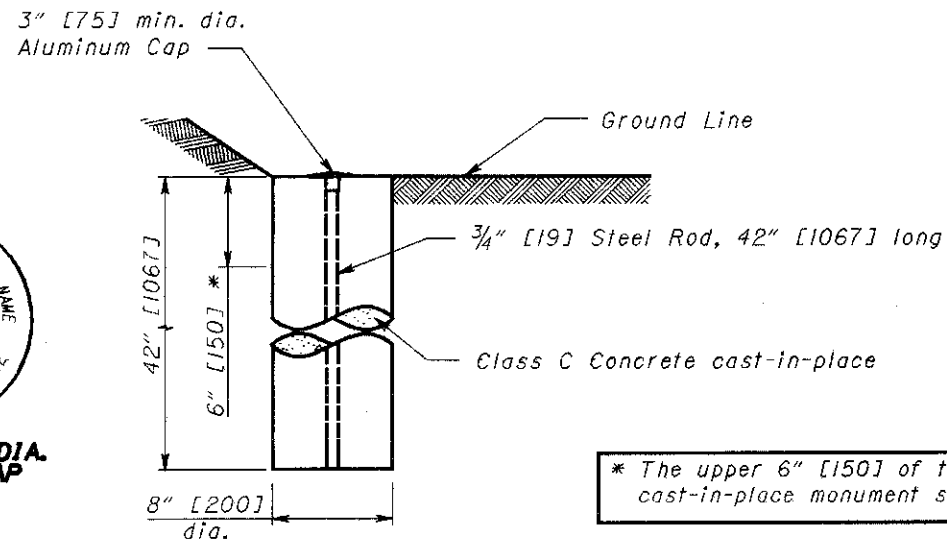
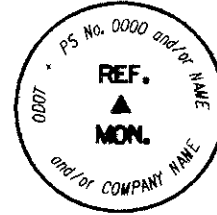


3" [75] MIN. DIA. ALUMINUM CAP PLAN VIEW

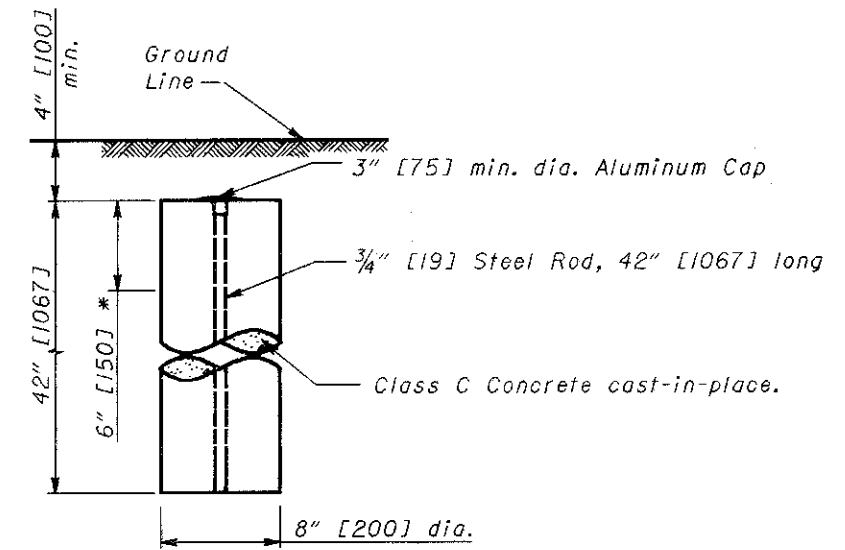


\* The upper 6" [150] of the 42" [xxx] cast-in-place monument shall be formed.

**RIGHT OF WAY MONUMENT DETAILS**

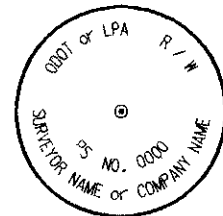


3" [75] MIN. DIA. ALUMINUM CAP PLAN VIEW

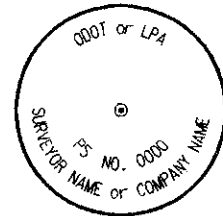


**REFERENCE MONUMENT DETAILS**

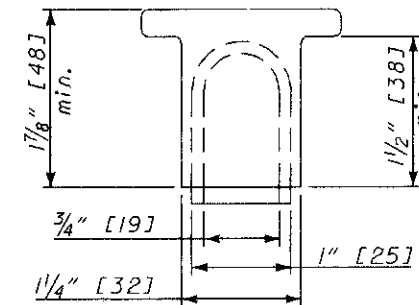
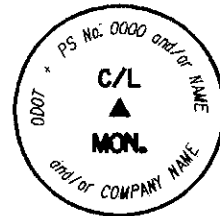
To be used with E parcels and non R/W boundaries.



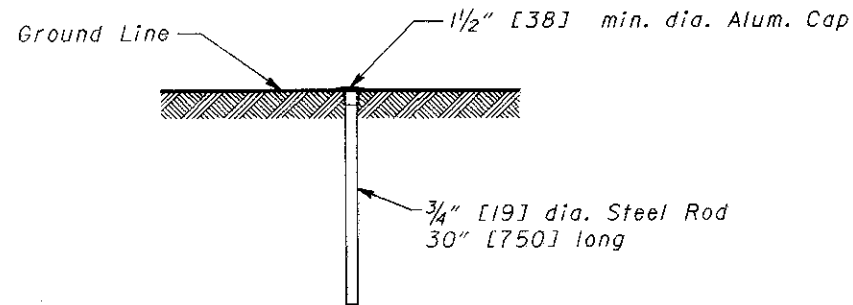
1-1/2" [38] MIN. DIA. ALUMINUM CAP PLAN VIEW



2" [50] MIN. DIA. ALUMINUM CAP PLAN VIEW



**SIDE VIEW OF CAP**



**ELEVATION**

**PROPERTY BOUNDARY MARKER CAP**

**NOTES**

Monuments shall be placed under the direction of a Surveyor, registered in the State of Ohio, in accordance with Chapter 4733-37 of the Ohio Administrative Code and ODOT's Survey Manual. Monuments are to be set, as shown, by the highway contractor at the time of construction. If deviations cannot be avoided, the Surveyor shall obtain pre-approval for the new monument locations from the Ohio Department of Transportation and shall notify ODOT of the new monument locations as set.

All aluminum caps used shall have an insulator to eliminate dissimilar metal corrosion.

THIS DRAWING REPLACES RM-1.1M DATED 4-8-97.

STANDARD ROADWAY CONSTRUCTION DRAWING

**ROADWAY MONUMENTS**

DESIGN AGENCY  
**OFFICE OF PLANNING**

All metric dimensions (in brackets [ ]) are in millimeters unless otherwise noted.

STUD. ENGR.  
M. EVANS  
DRAWN  
D. FOCKE

REVISIONS

OHIO DEPARTMENT OF TRANSPORTATION  
4-29-99  
DATE  
L. T. Stetson  
ROADWAY DESIGN ENGINEER

NUMBER  
RM-1.1

2 / 2