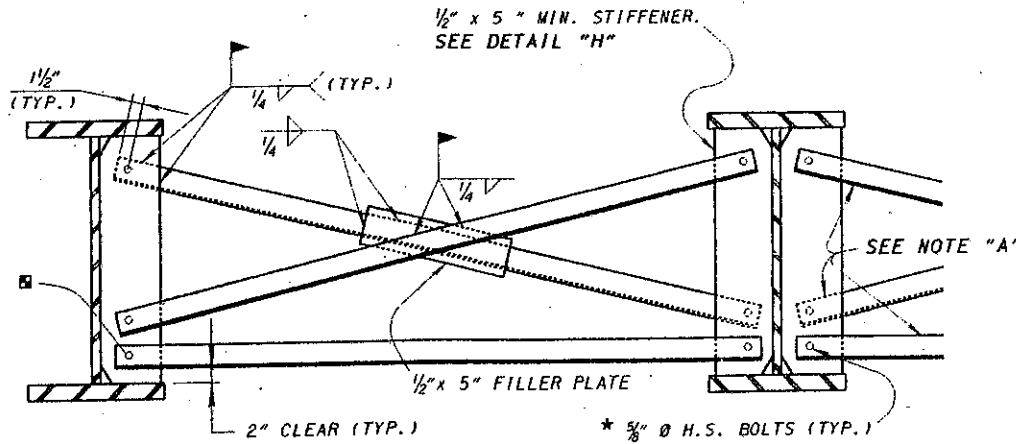
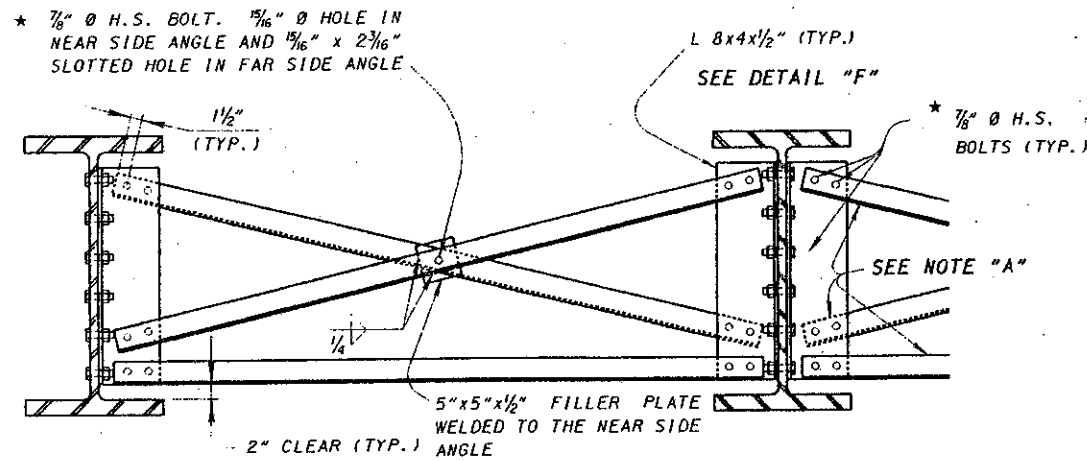


TYPE 1: INTERMEDIATE WELDED CROSSFRAME DETAILS
FOR ROLLED BEAM BRIDGES
AASHTO CASE 11

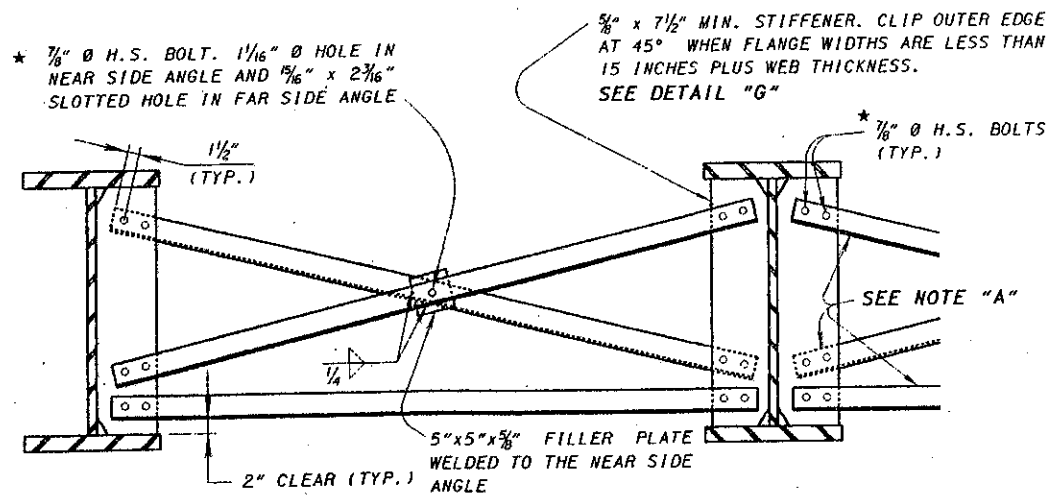


TYPE 3 INTERMEDIATE WELDED CROSSFRAME DETAILS
FOR GIRDER BRIDGES AND AASHTO CASE 1 ROLLED BEAM BRIDGES

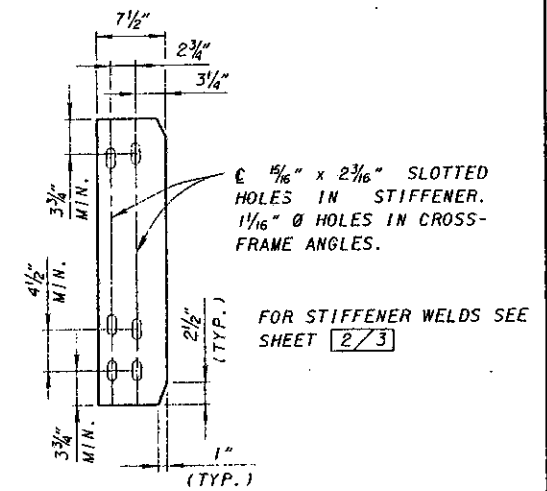
CROSSFRAME ANGLE SIZE	
DEPTH OF BEAM/GIRDER	MINIMUM SIZE ANGLE
D < 48 INCH	3 x 3 x 5/16"
48 INCH < D < 52 INCH	3 1/2 x 3 1/2 x 3/8"
52 INCH < D < 60 INCH	4 x 4 x 3/8"



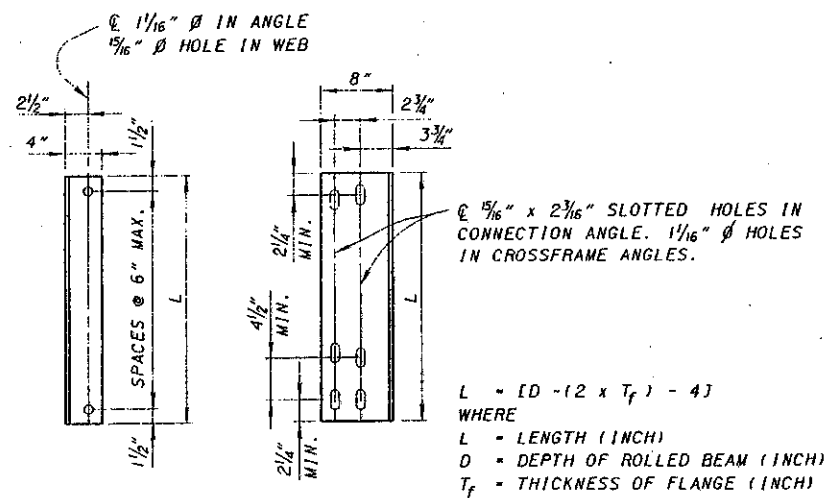
TYPE 2: INTERMEDIATE BOLTED CROSSFRAME DETAILS
FOR ROLLED BEAM BRIDGES
AASHTO CASE 1 OR CASE 11



TYPE 4 INTERMEDIATE BOLTED CROSSFRAME DETAILS
FOR GIRDER BRIDGES AND AASHTO CASE 1 ROLLED BEAM BRIDGES



DETAIL "G"



DETAIL "F"

* ALL BOLTS ARE A325 TYPE 1 GALVANIZED FOR A GALVANIZED OR PAINTED BRIDGE AND A325 TYPE 3 FOR A588 WEATHERING STEEL BRIDGE. EACH ANCHOR ASSEMBLY SHALL INCLUDE A BOLT, NUT AND TWO (2) WASHERS, TIGHTENED PER CMS SECTION 513.15.

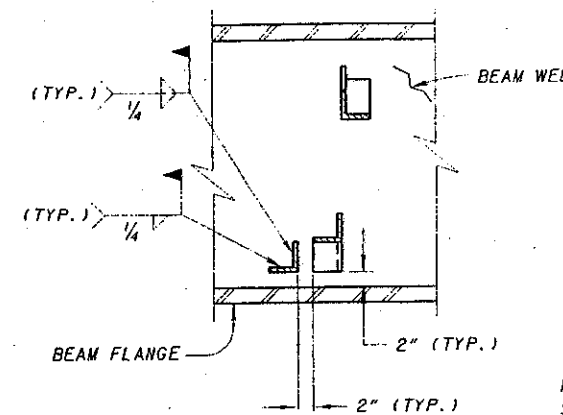
THE FABRICATOR SHALL CHECK LONGITUDINAL CROSSFRAME SPACING SO THAT INTERFERENCE WITH BOLTED SPLICES, ANCHOR BOLTS, COMPLETE PENETRATION WEB OR FLANGE WELDED SPLICES AND BEARING STIFFENERS CAN BE AVOIDED. SPACING SHALL BE ADJUSTED TO PROVIDE AT LEAST SIX INCHES OF LONGITUDINAL CLEARANCE. THE FABRICATOR MAY ADJUST CROSSFRAME SPACES UP TO A MAXIMUM OF 15'-0" CENTER TO CENTER UNLESS THE CONTRACT DRAWINGS PROVIDE A NOTED MAXIMUM.

FOR COMPLETELY SHOP PAINTED OR GALVANIZED SYSTEMS, A TYPE 2 OR TYPE 4 CROSSFRAME SHALL BE USED.

AT THE OPTION OF THE CONTRACTOR, TYPE 2 CROSSFRAME CAN BE USED IN LIEU OF TYPE 1 CROSSFRAME AND TYPE 4 CROSSFRAME CAN BE USED INSTEAD OF TYPE 3 CROSSFRAME.

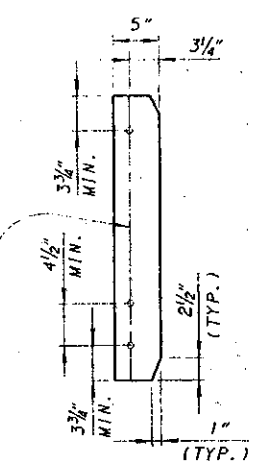
AT SKEWED STRUCTURES THE NEED OF SLOTTED HOLES AT EACH CROSS FRAME LOCATION SHALL BE INVESTIGATED AND SPECIFIED ON THE PLANS AS REQUIRED.

NOTE "A"
MATCH CROSSFRAME LEGS TO EACH SIDE OF THE WEB, SEE CROSSFRAME ANGLE SIZE GUIDE TABLE FOR SIZES



SECTION A-A

FOR STIFFENER WELDS SEE SHEET 2/3



DETAIL "H"