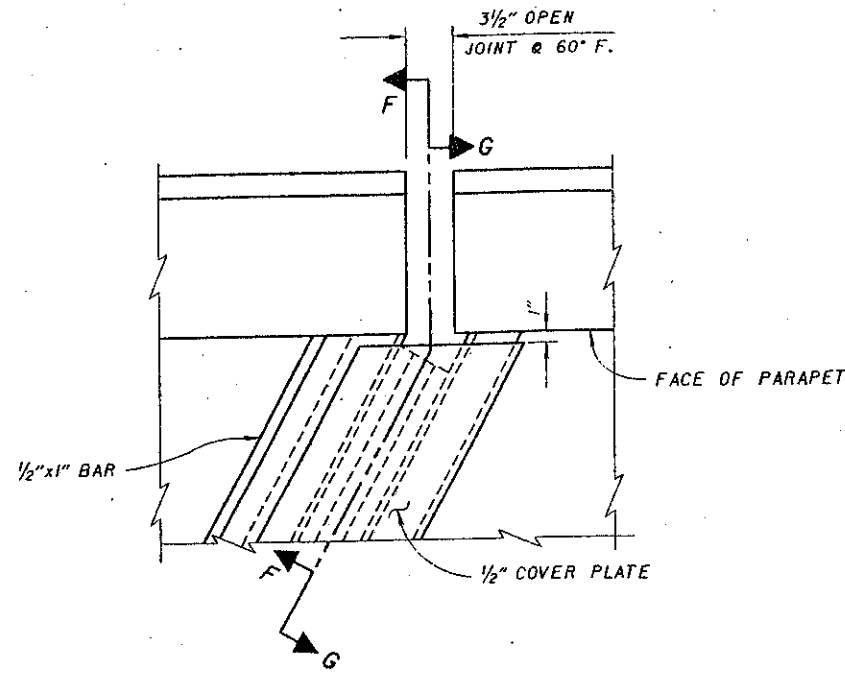
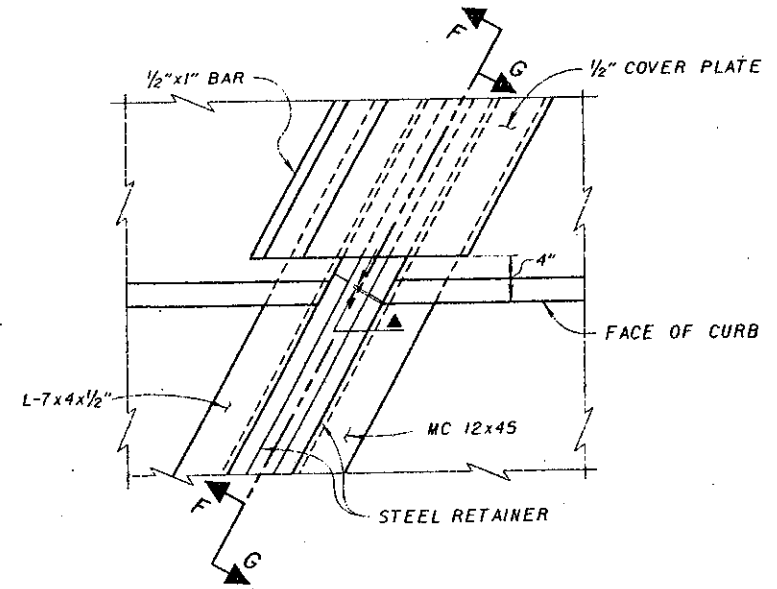


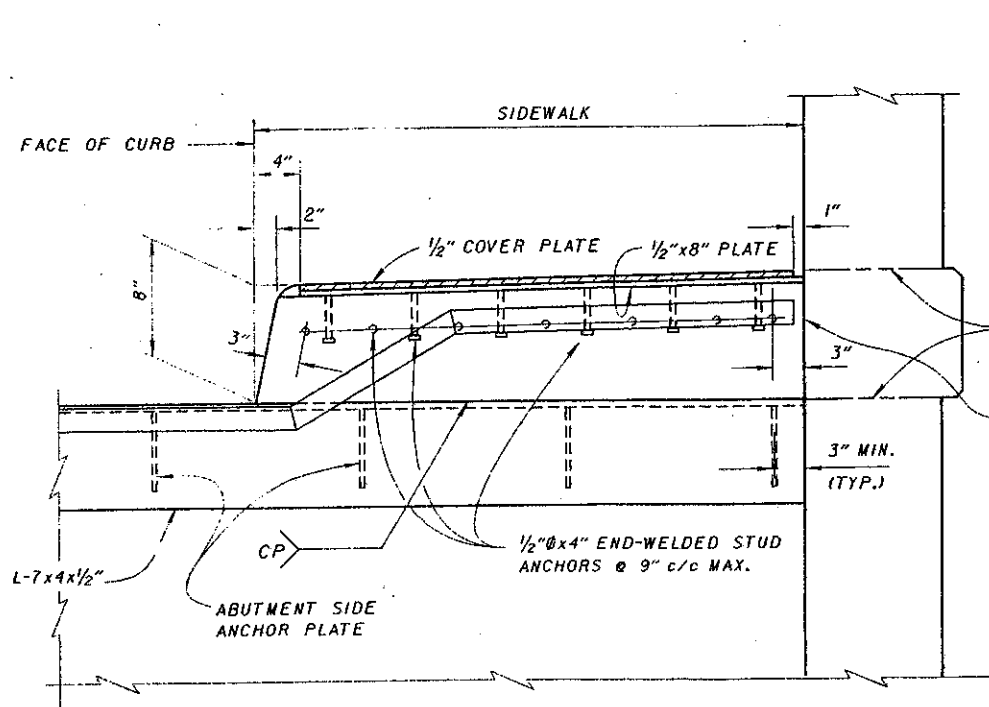
PART PLAN AT ABUTMENT
FOR BRIDGES WITH SIDEWALK
PARAPET RAILING



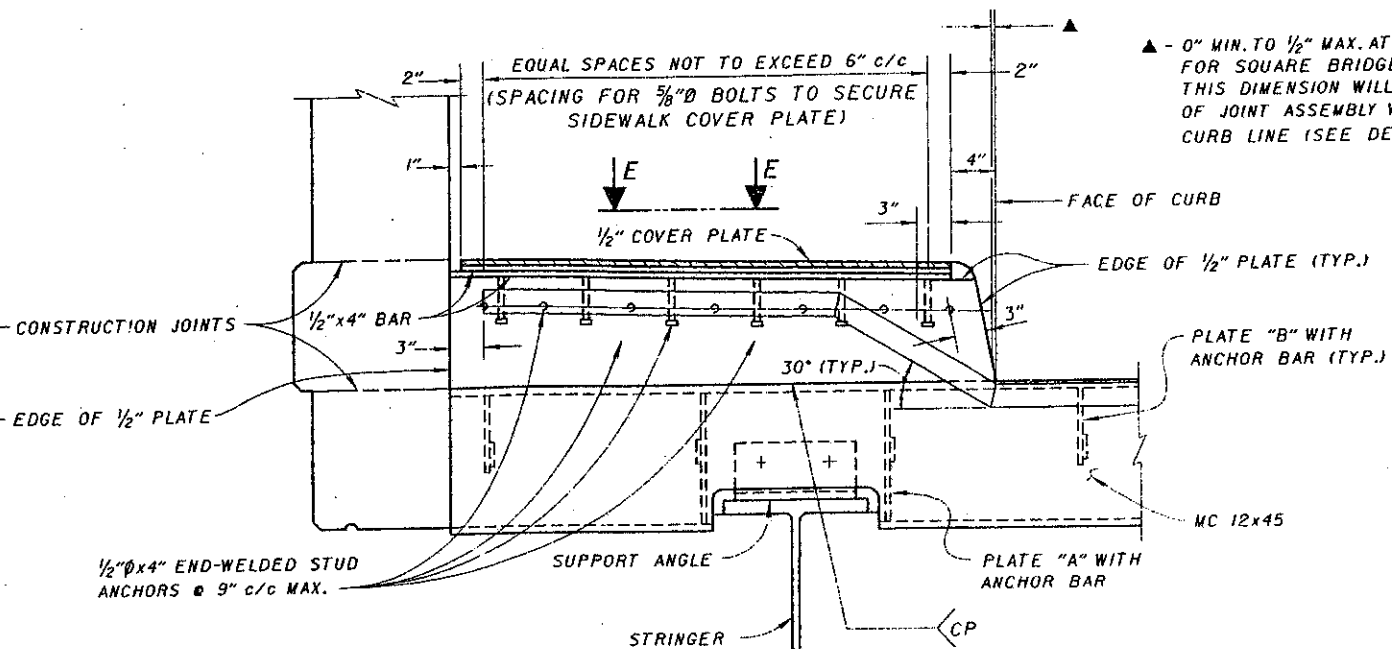
DETAIL C



DETAIL D



SECTION F-F



SECTION G-G

FOR VIEW E-E SEE SHEET 4/5.

FOR SECTION X-X SEE SHEET 2/5.

FOR SECTION Y-Y SEE SHEET 4/5.

DESIGN AGENCY	BUREAU OF BRIDGES	STATE OF OHIO DEPARTMENT OF TRANSPORTATION	DESIGNED BY	CHECKED BY	REVIEWED BY	DATE
	AND STRUCTURAL DESIGN					
STANDARD	STRIP SEAL EXPANSION JOINTS	ENGINEER OF BRIDGES	DESIGNED BY	CF/AJM	REVISIONS	11-12-93
			DRAWN	CF/AJM	DATE	2-14-97
			EXJ-4-BT			
			FOR VIEW E-E SEE SHEET 4/5.			
			FOR SECTION X-X SEE SHEET 2/5.			
			FOR SECTION Y-Y SEE SHEET 4/5.			
			3/5			