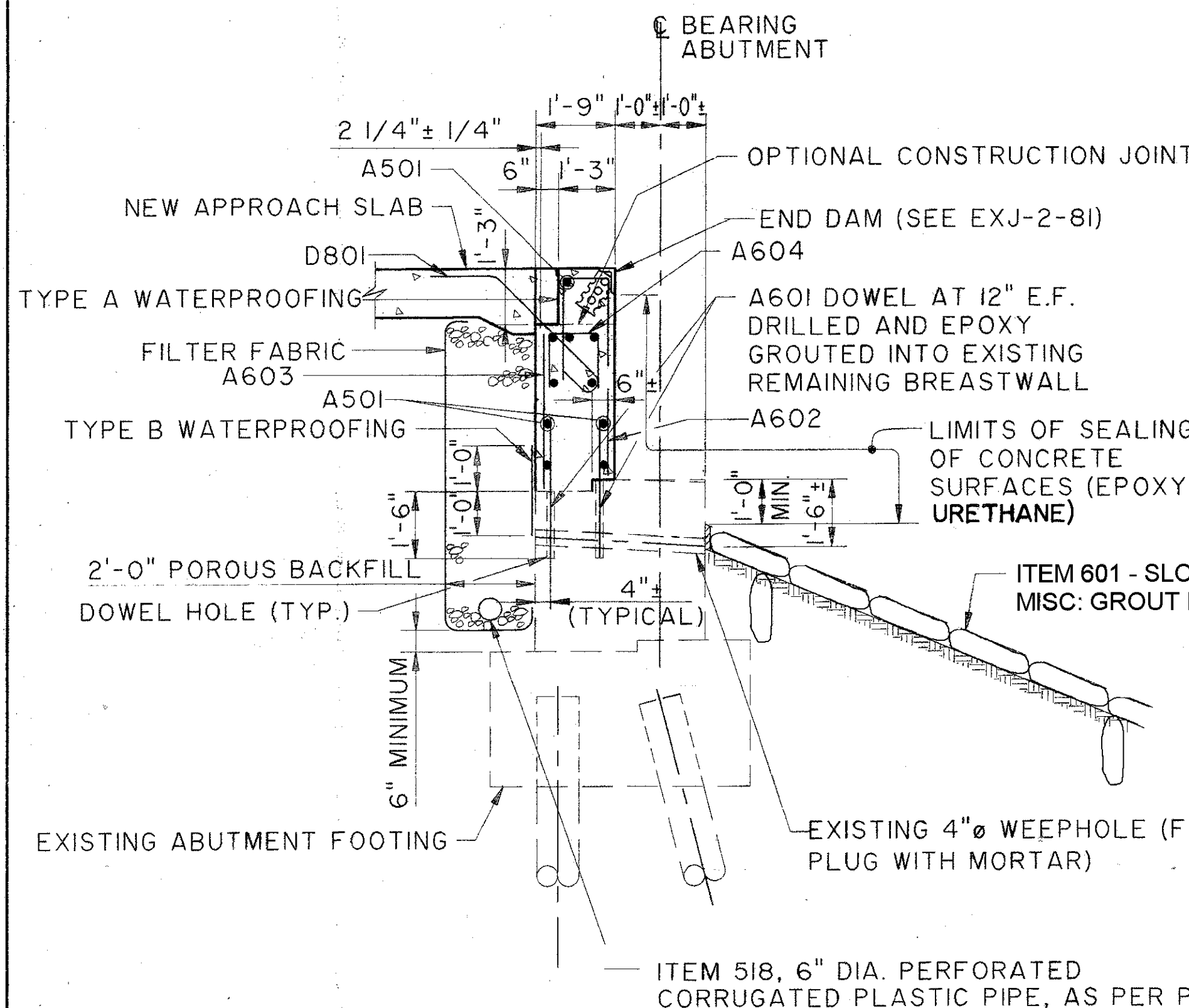
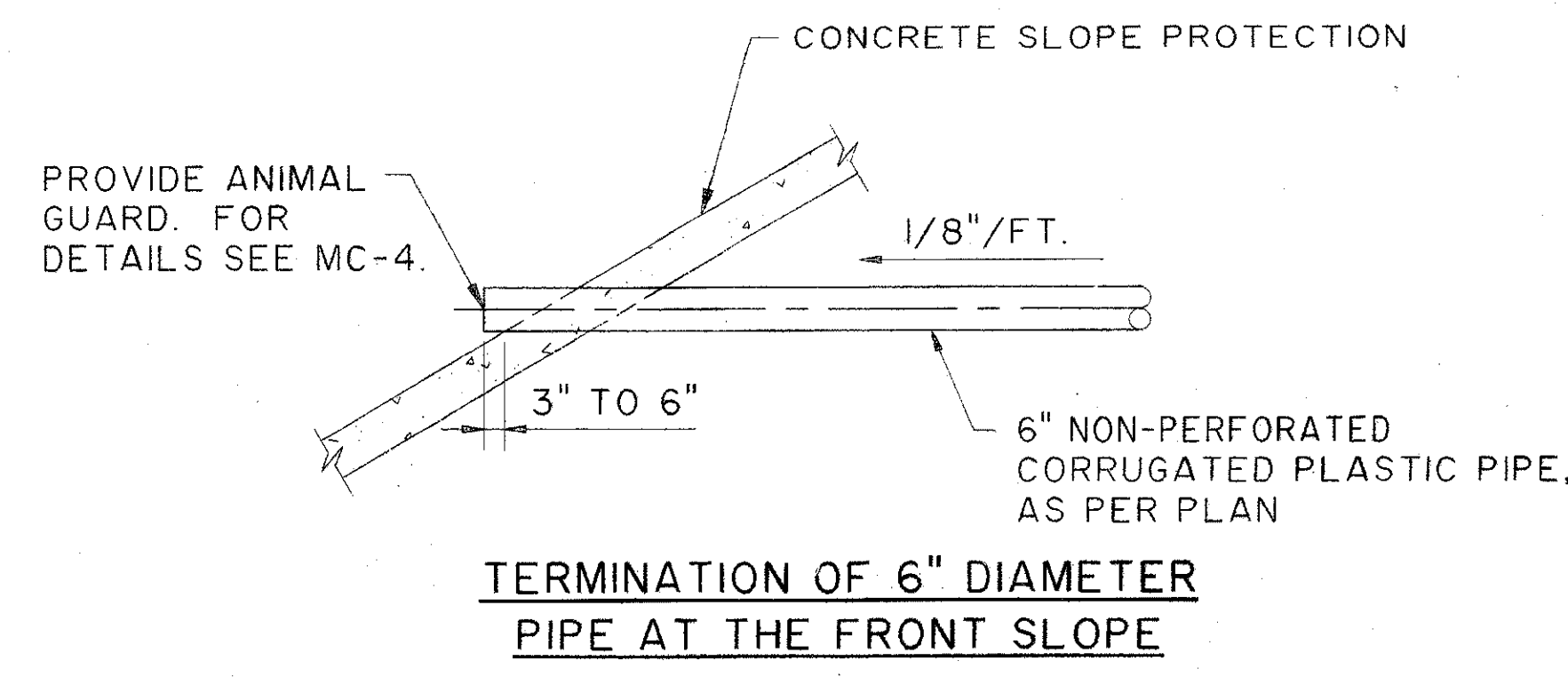
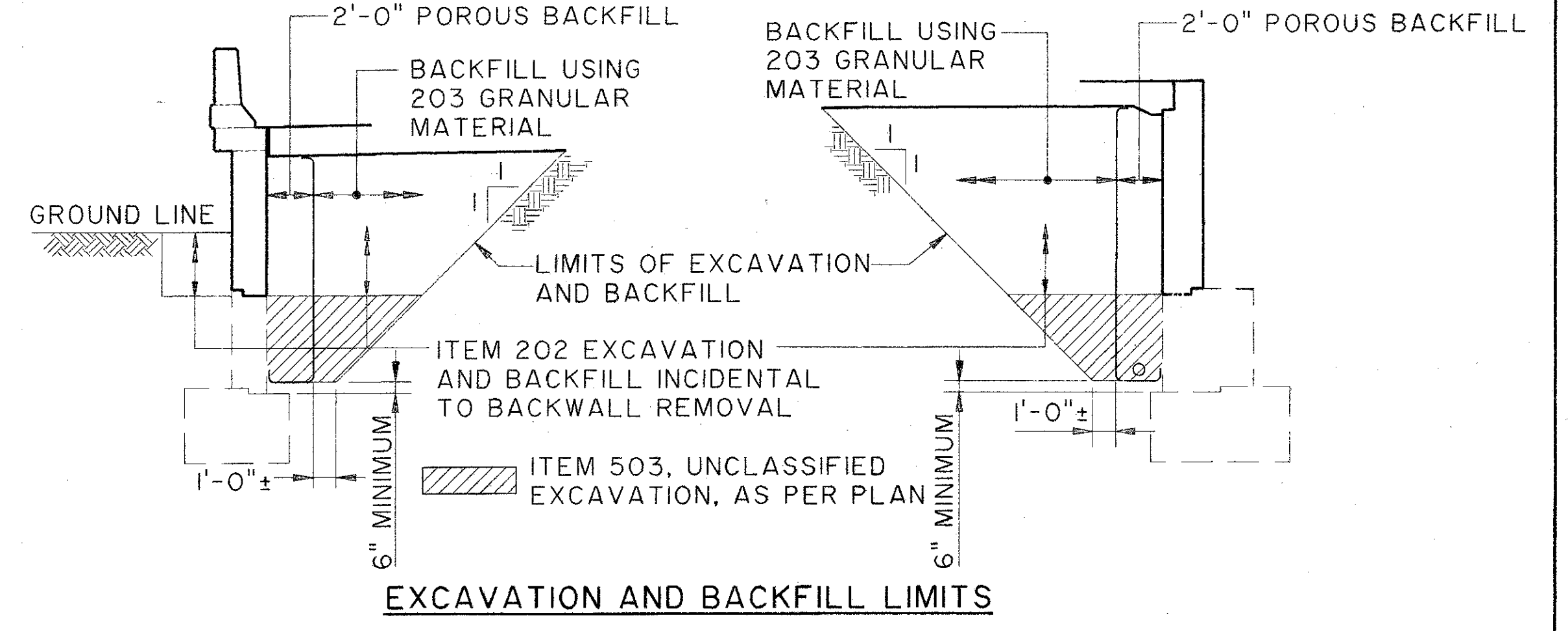
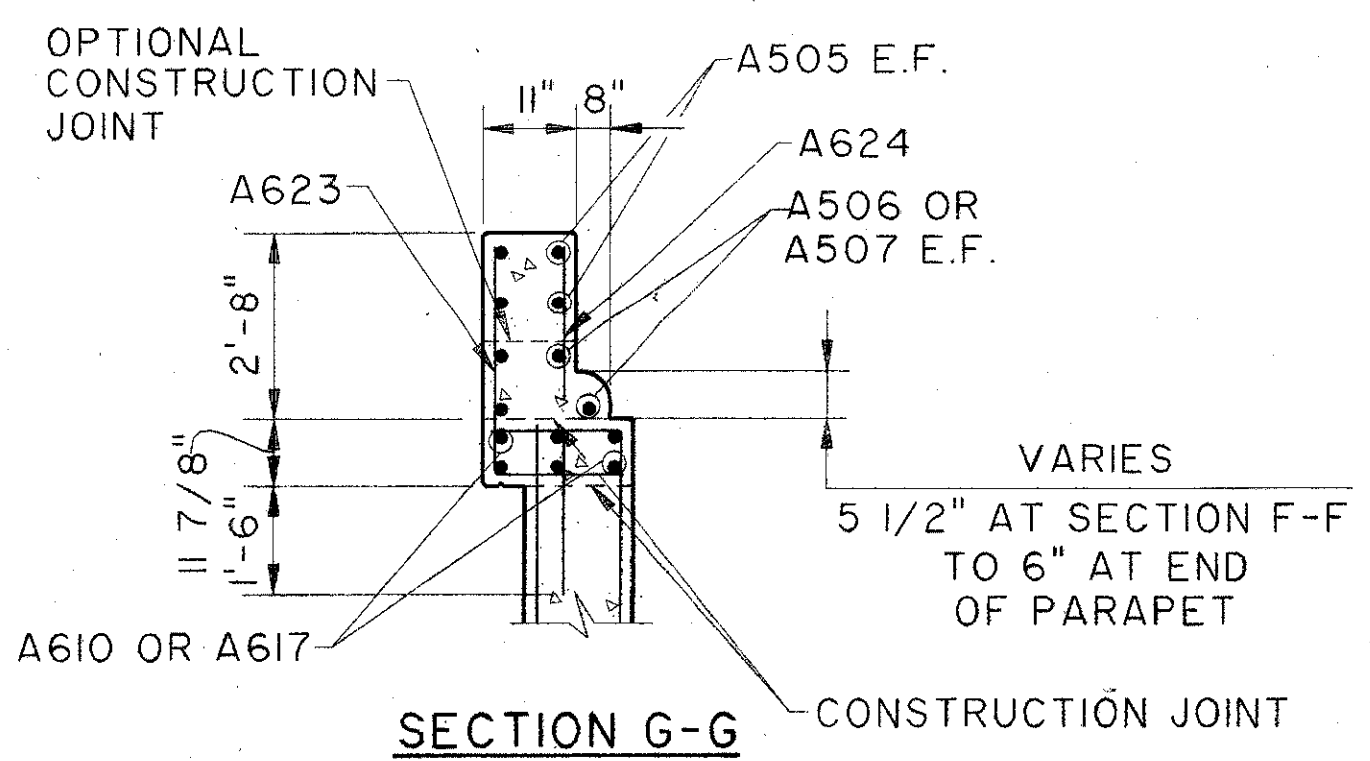
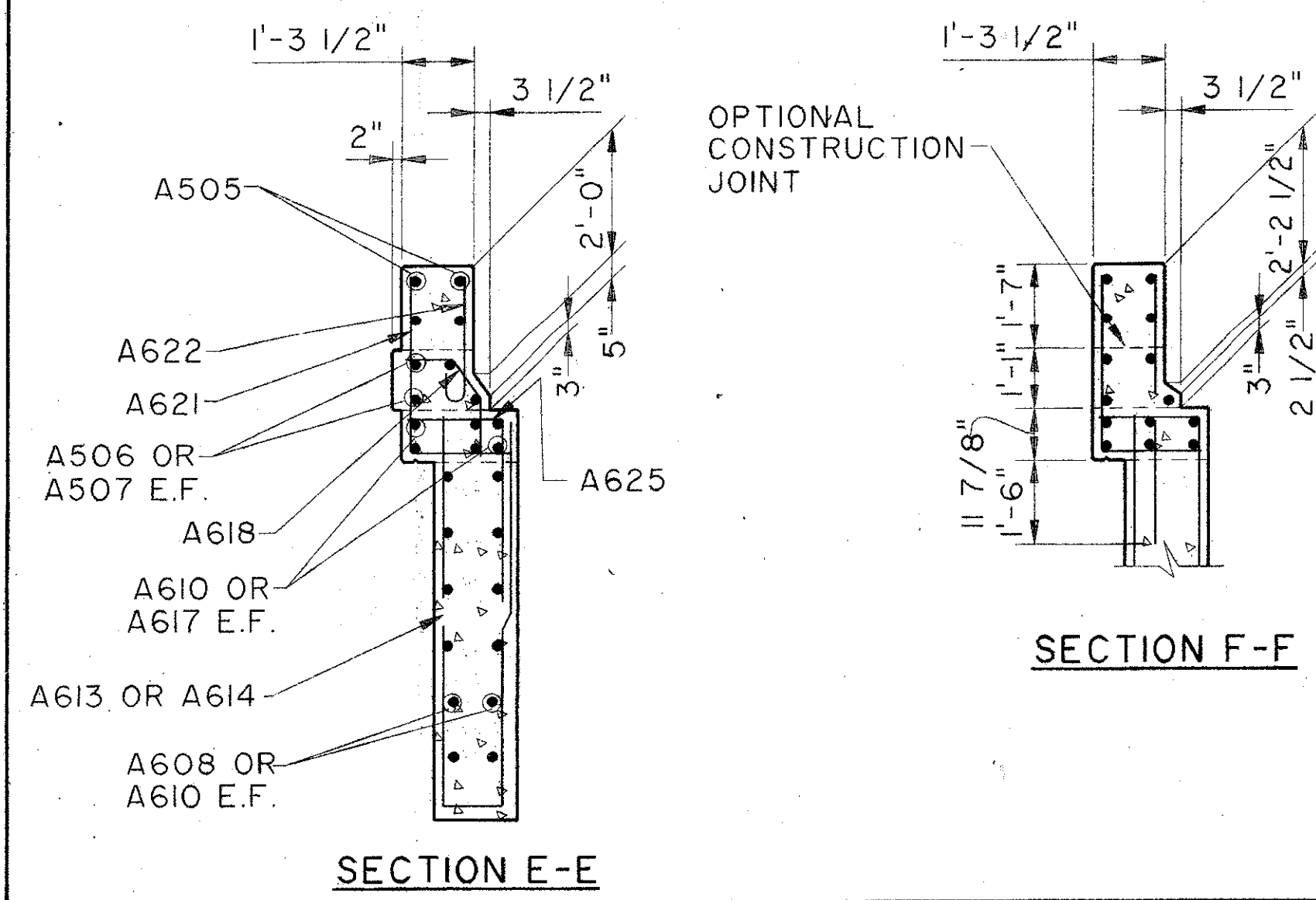
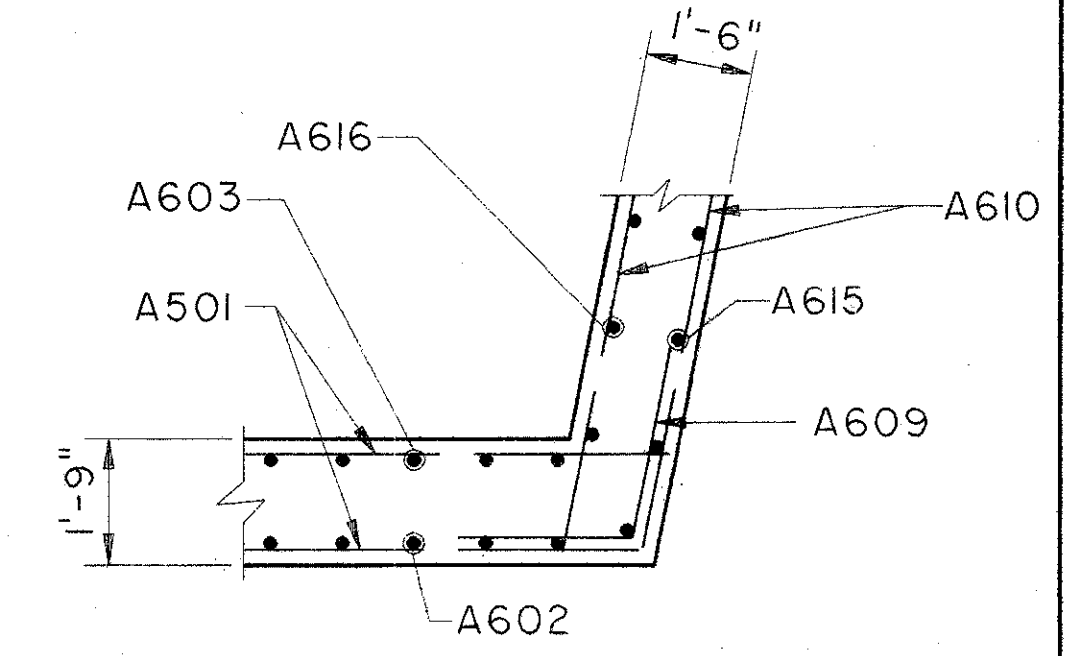
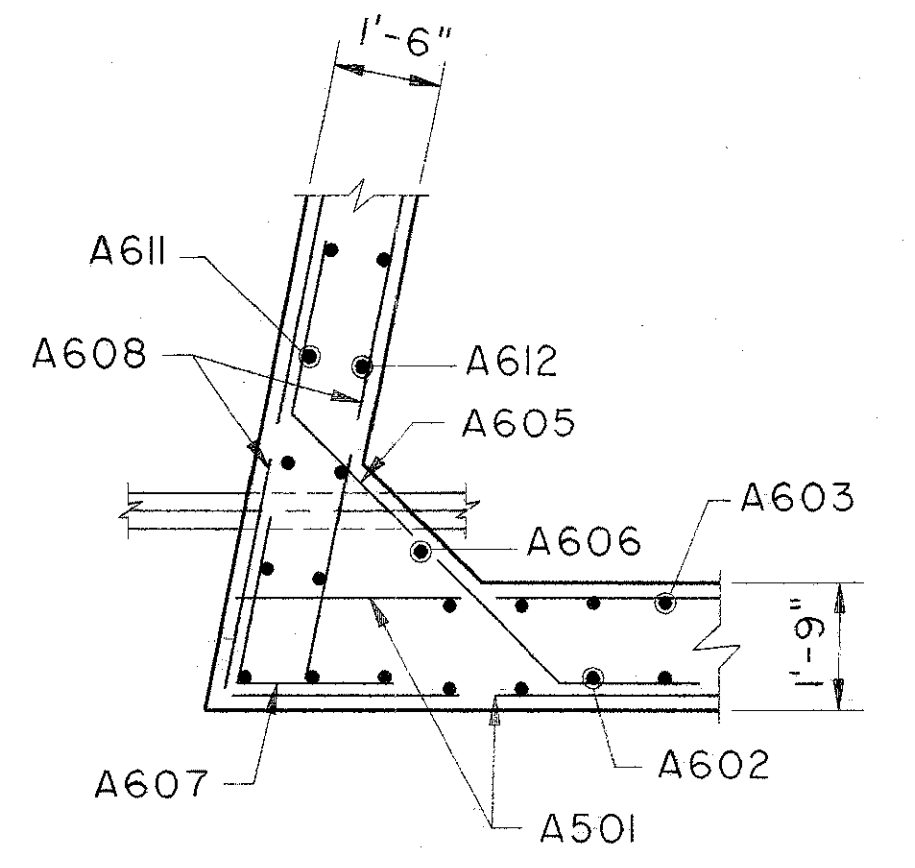
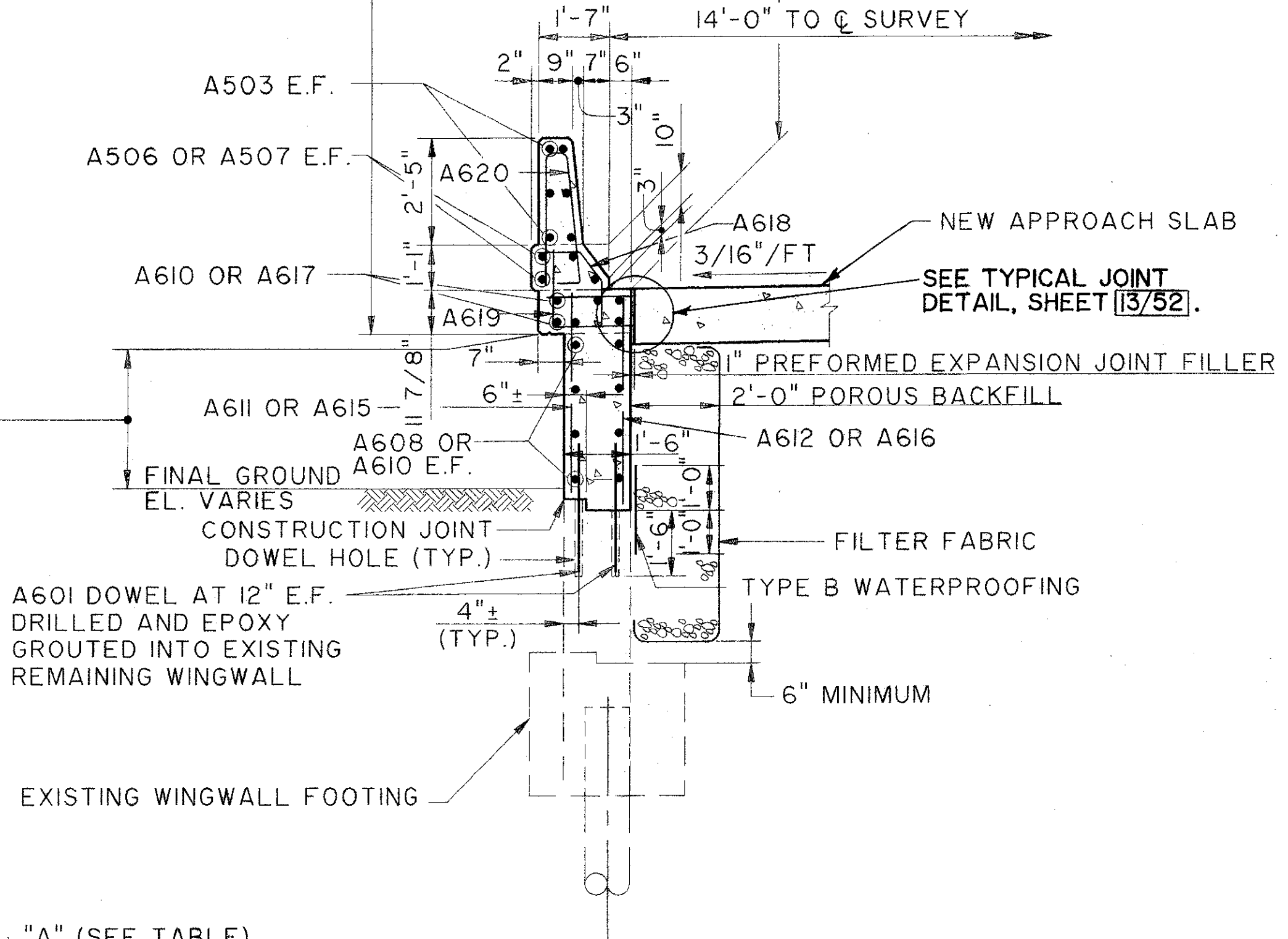
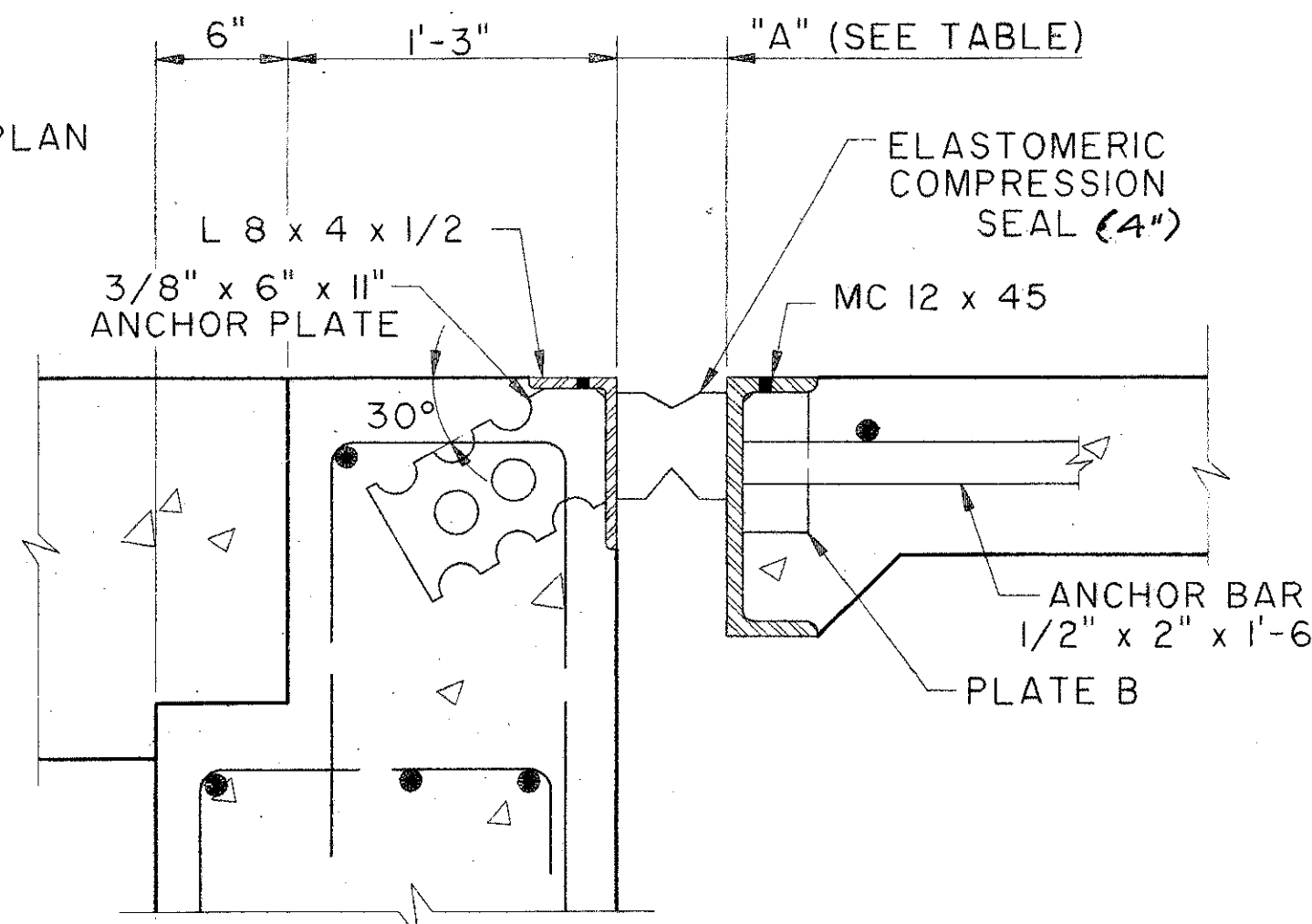


LAKE COUNTY
LAK-90-17.42/25.15/27.76



DIMENSION "A" FOR DECK JOINT OPENING						
30°	40°	50°	60°	70°	80°	90°
2 9/16"	2 1/2"	2 3/8"	2 1/4"	2 1/8"	2"	1 5/16"



THE OSBORN ENGINEERING COMPANY 46/52				
CONSULTING ENGINEERS CLEVELAND, OHIO 44114				
ABUTMENT DETAILS				
BRIDGE NO. LAK-90-2776 BATES ROAD OVER I-90				
LAKE COUNTY OHIO				
DESIGNED	DRAWN	TRACED	CHECKED	REVIEWED
LYH	BFG		JRS	GA
				DATE
				2/94
				REVISION
				5/24/99

File name: K:\VOLI\DOT\0180\STRUCT\0180S742
 Plot Scale: 1" = 20'-0"
 Date: 04-27-94 (1324)

BATES ROAD