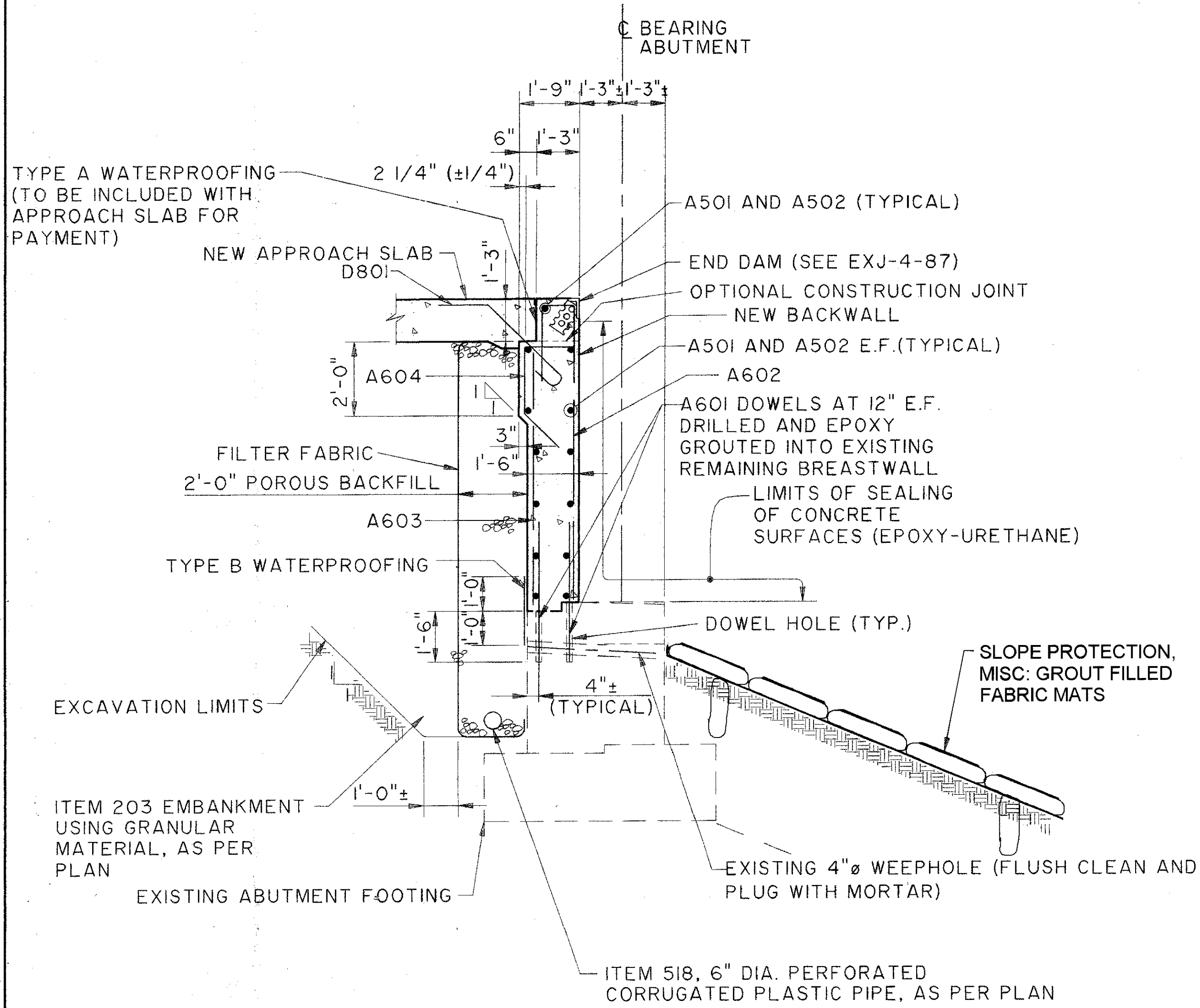
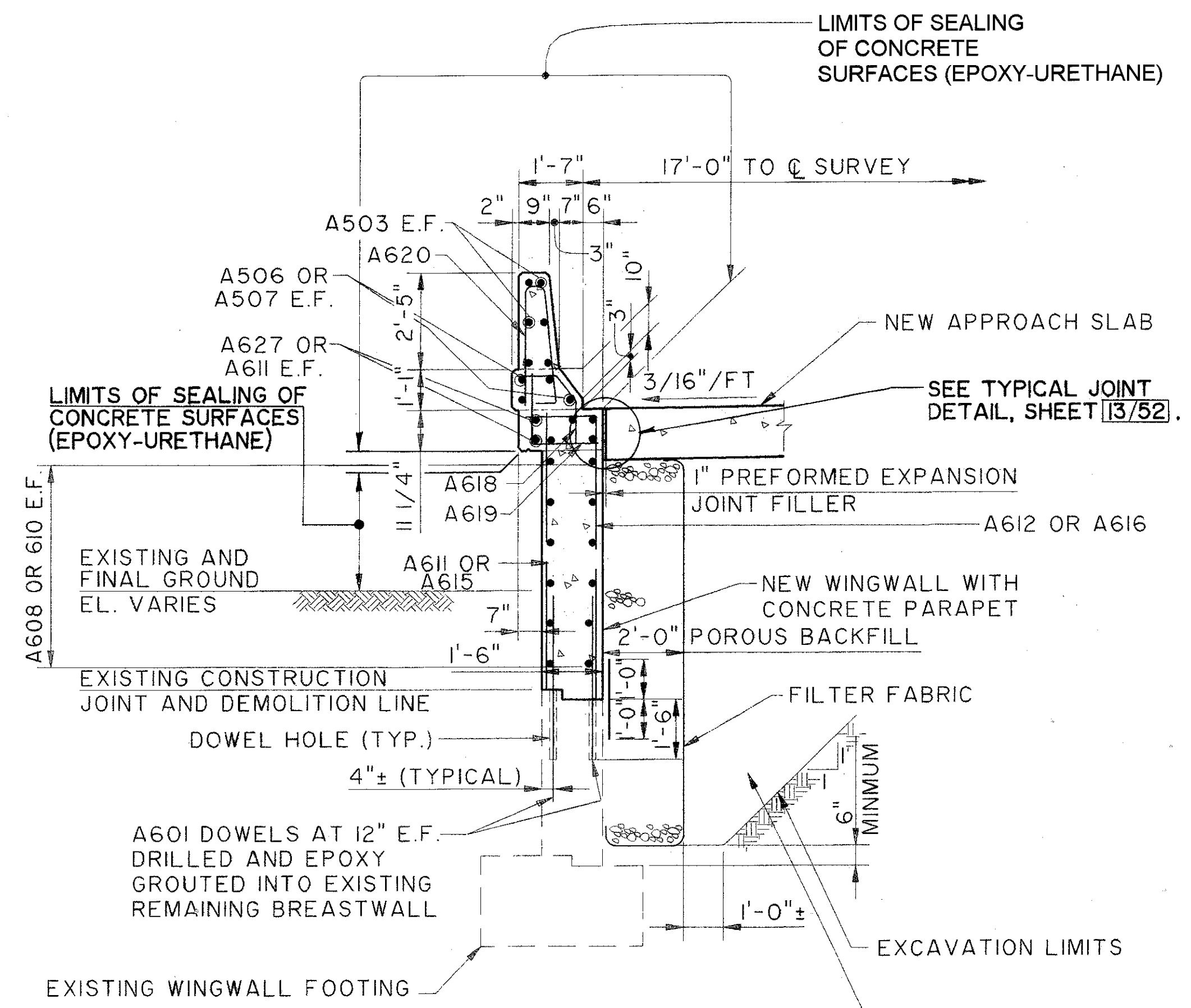


LAKE COUNTY
LAK-90-17.42/25.15/27.76

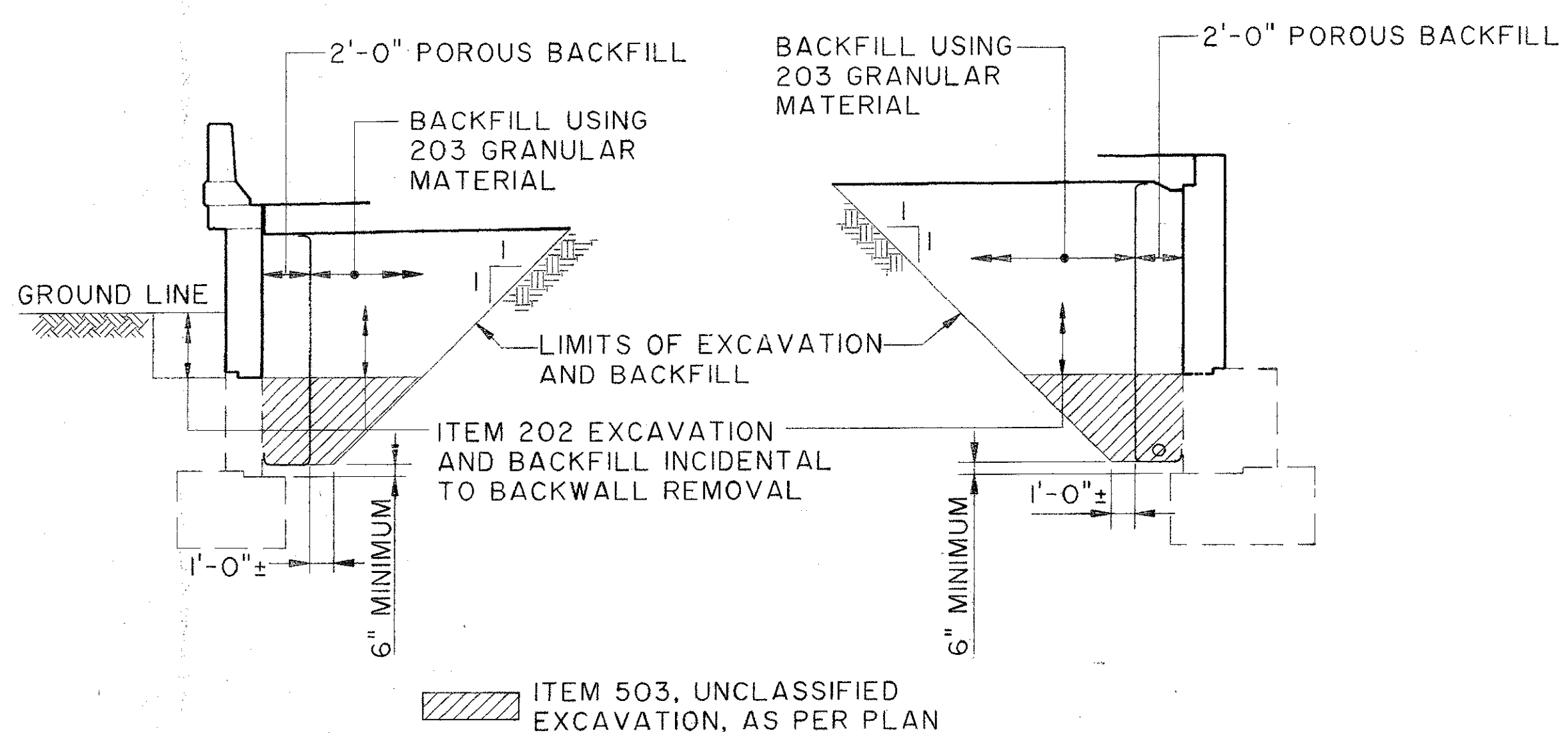
- NOTES:
- FOR ABUTMENT PLANS AND ELEVATIONS SEE SHEETS 26/52 AND 28/52.
 - FOR WINGWALL ELEVATIONS SEE SHEETS 27/52 AND 29/52.



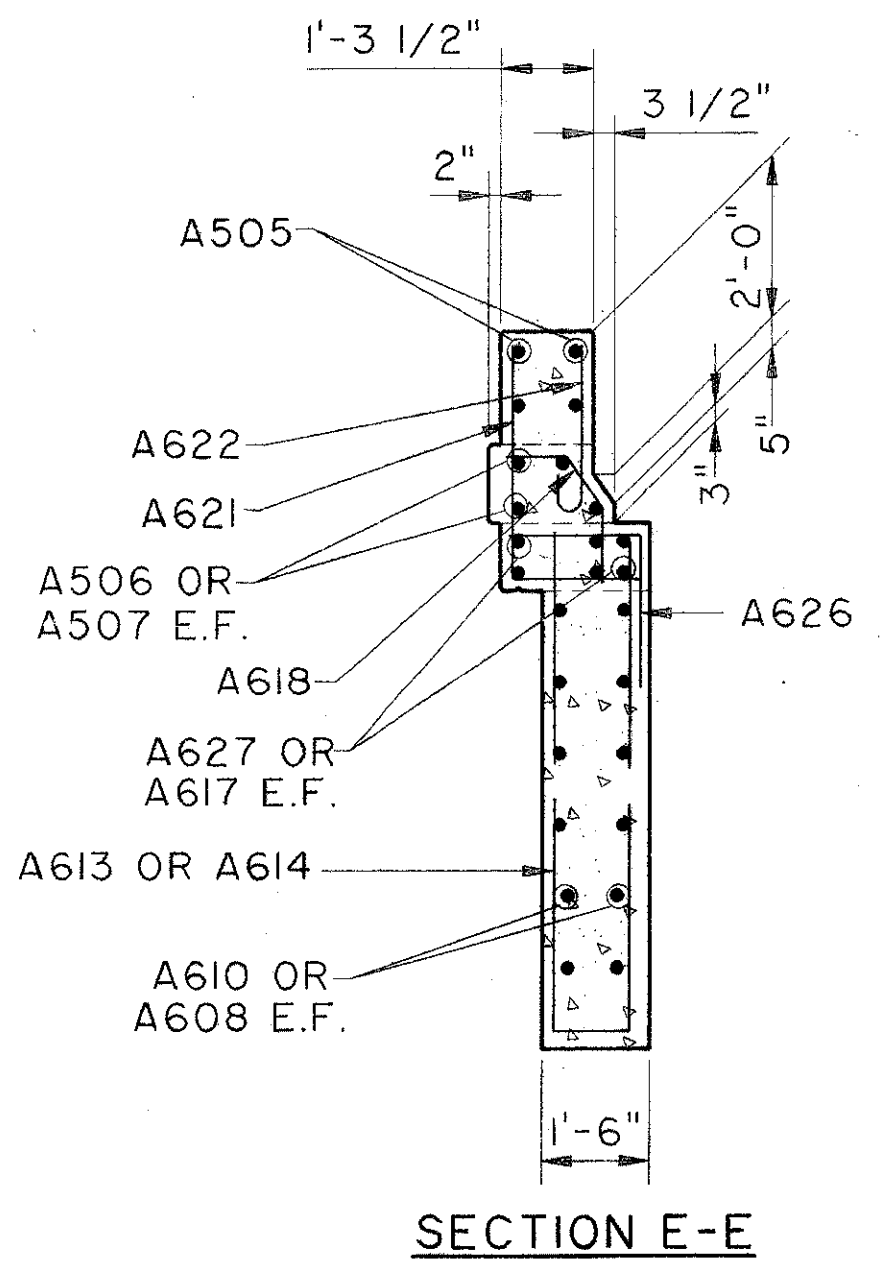
SECTION A-A
(TYPICAL BACKWALL REPLACEMENT SECTION)



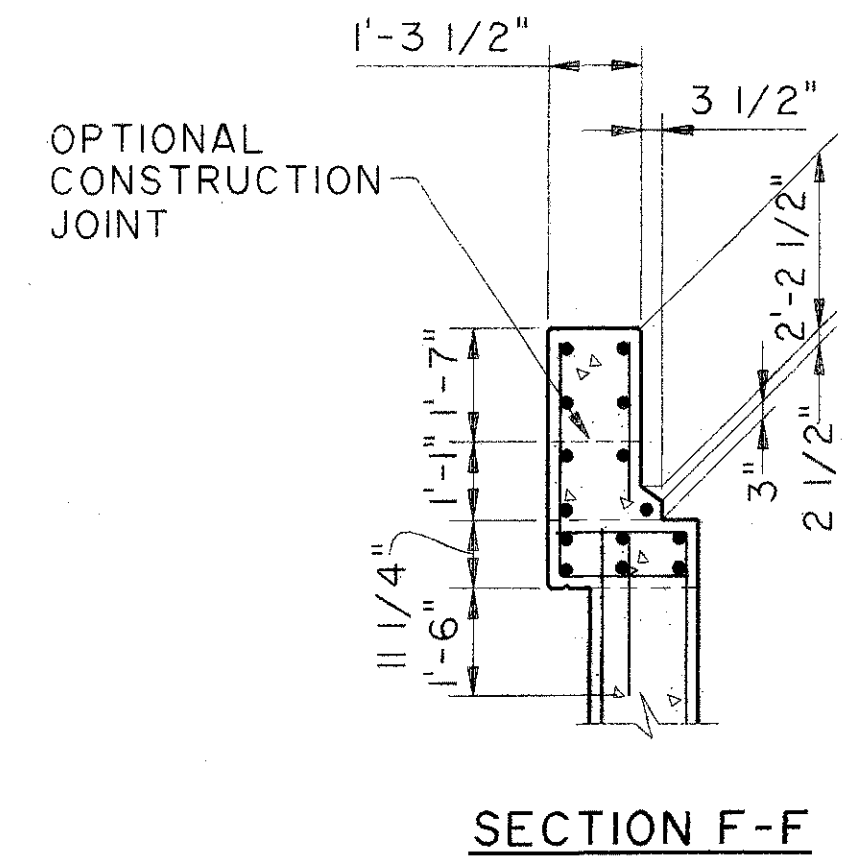
SECTION B-B
(TYPICAL WINGWALL REPLACEMENT SECTION)



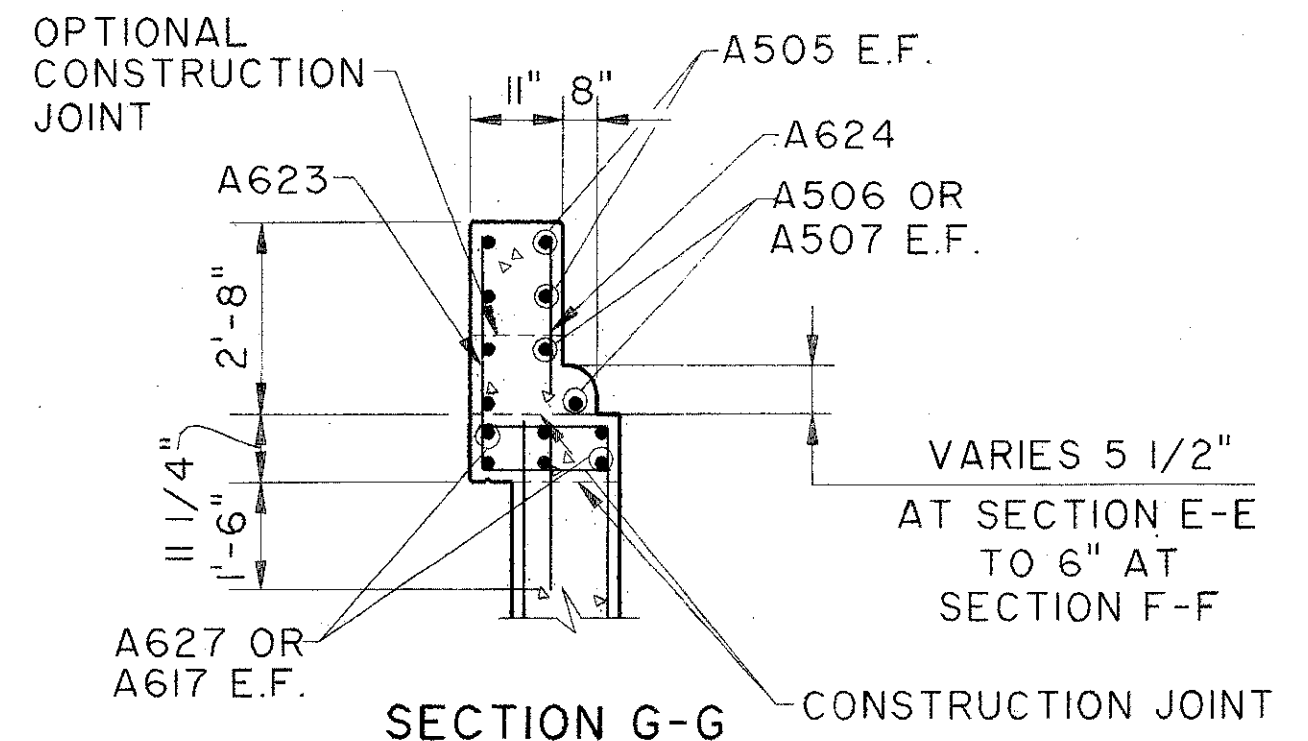
EXCAVATION AND BACKFILL LIMITS



SECTION E-E



SECTION F-F



SECTION G-G

THE OSBORN ENGINEERING COMPANY						30/52
CONSULTING ENGINEERS						
CLEVELAND, OHIO 44114						
ABUTMENT SECTIONS						
BRIDGE NO. LAK-90-2515						
RIVER ROAD OVER I-90						
LAKE COUNTY						OHIO
DESIGNED	DRAWN	TRACED	CHECKED	REVIEWED	DATE	REVISED
LYH	BFG		JRS	GA	2/94	ODOT 5/24/98

Filename: K:\VCL\0007\0185\STRUC\01855736
 Plot Scale: 1/8"=1'-0"
 Print Date: 11/16/94 09:39:44 (1627)

RIVER ROAD