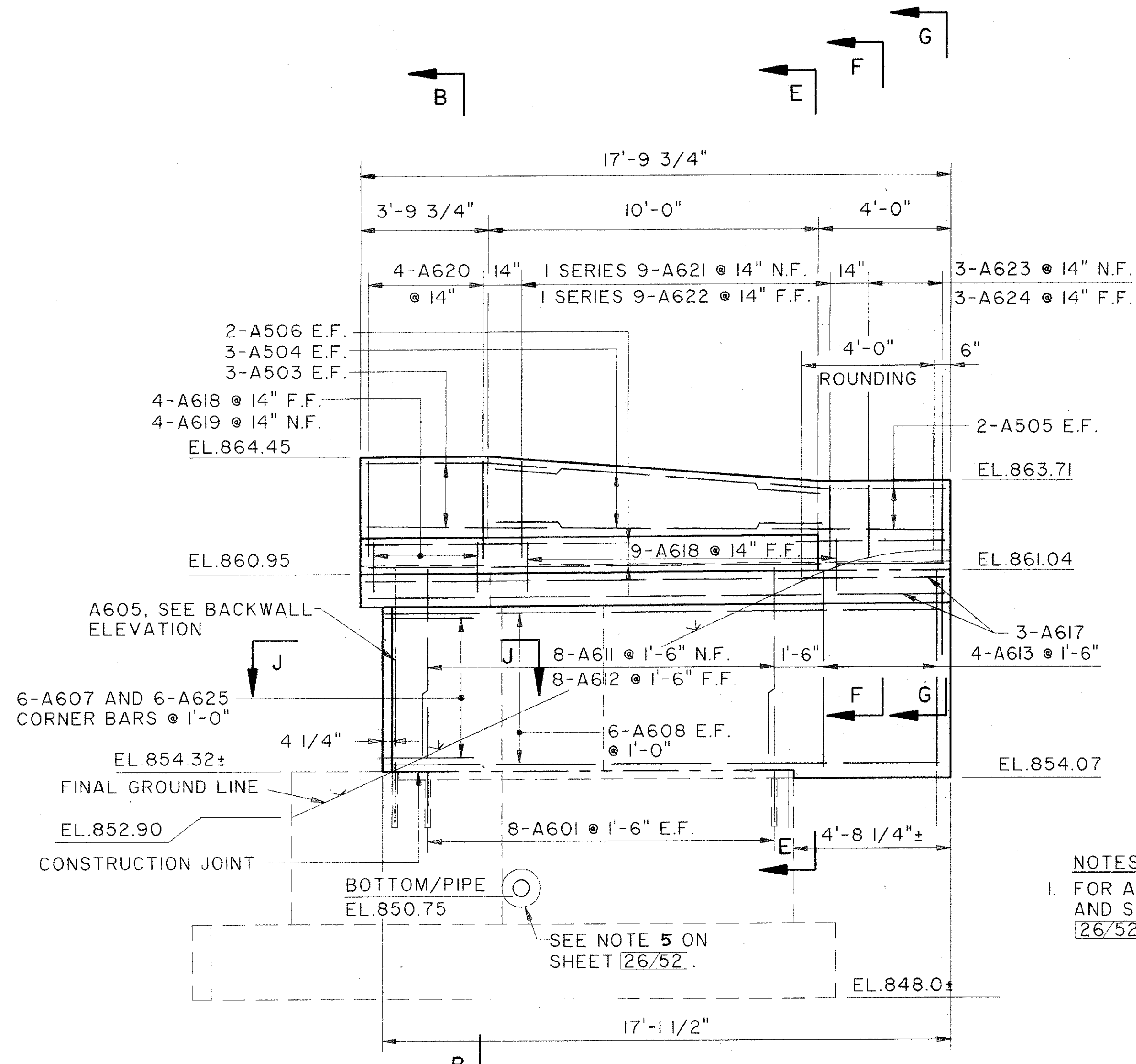
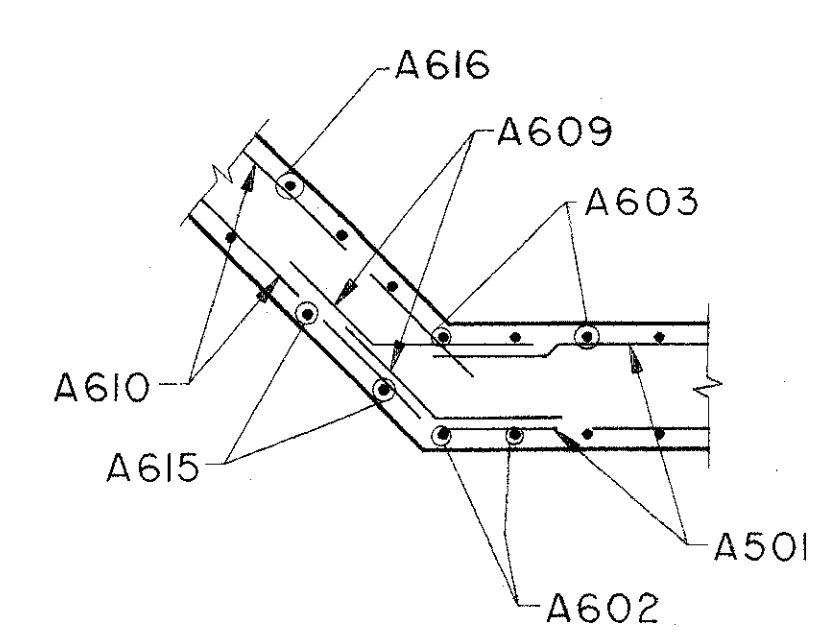


ELEVATION C-C

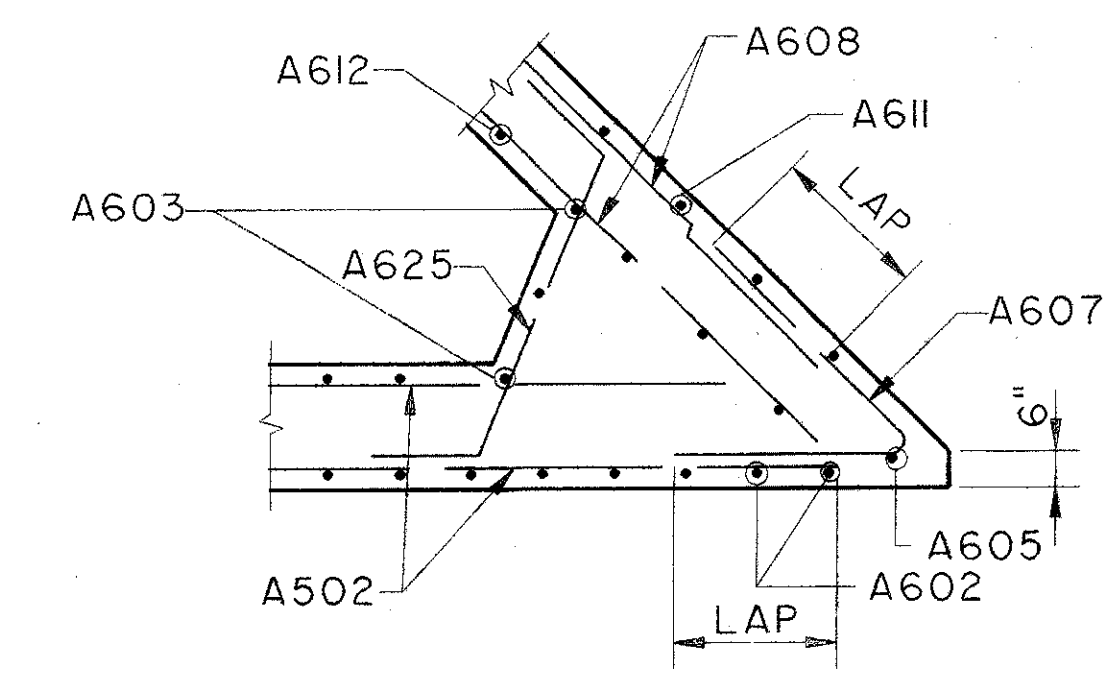


ELEVATION D-D

NOTES:
I. FOR ABUTMENT PLAN, ELEVATION AND SECTIONS SEE SHEETS [26/52] AND [30/52].



SECTION H-H



SECTION J-J

THE OSBORN ENGINEERING COMPANY [27/52]
CONSULTING ENGINEERS
CLEVELAND, OHIO 44114

REAR WINGWALL DETAILS
BRIDGE NO. LAK-90-2515
RIVER ROAD OVER I-90

DESIGNED	DRAWN	TRACED	CHECKED	REVIEWED	DATE	OHIO
LYH	BFG		JRS	GA	2/94	

File name: K:\NGL\0007\01848\STRUCT\01855745
 Drawn By: BFG / 05-02-94 (15:42)

RIVER ROAD