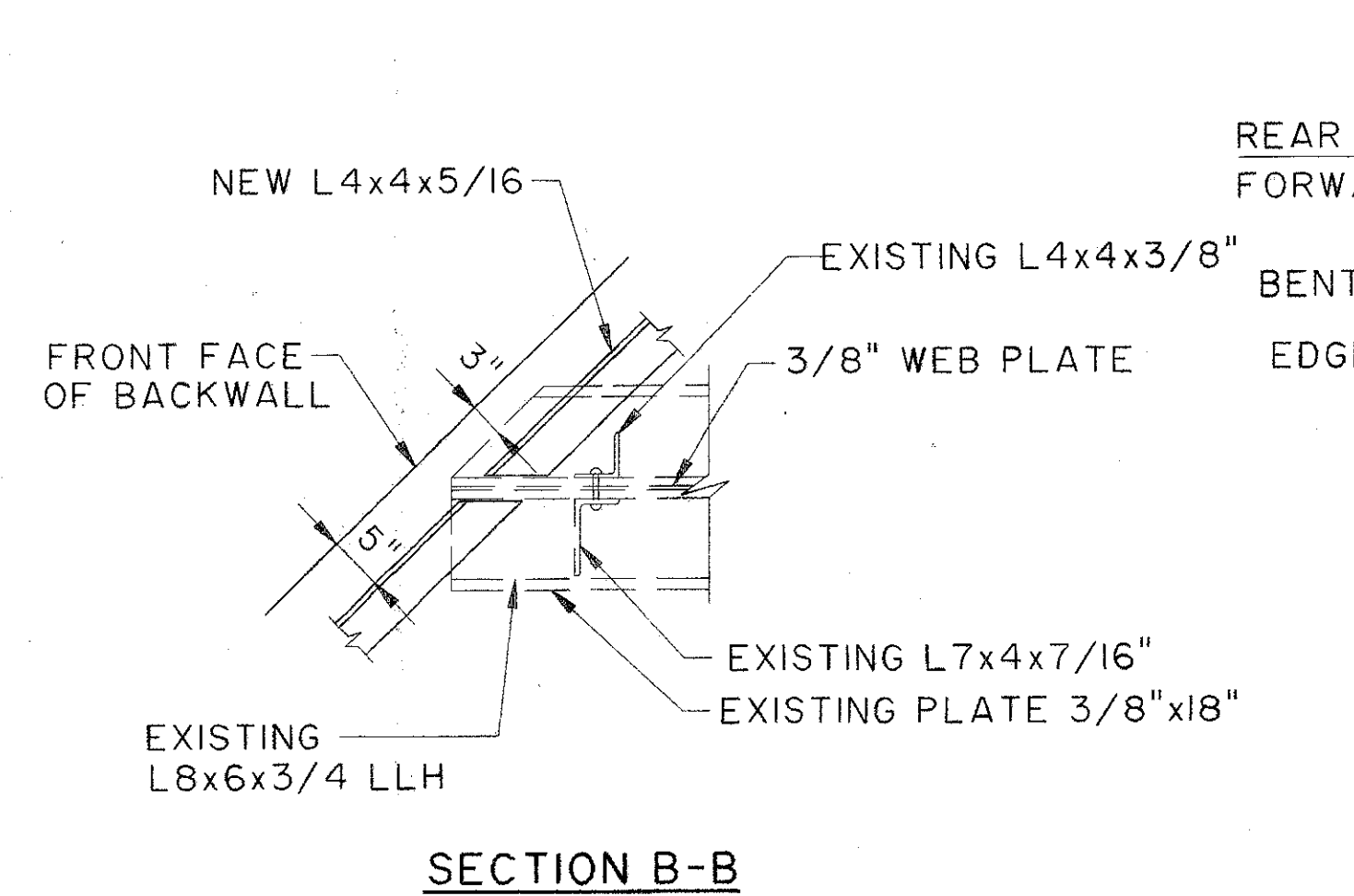
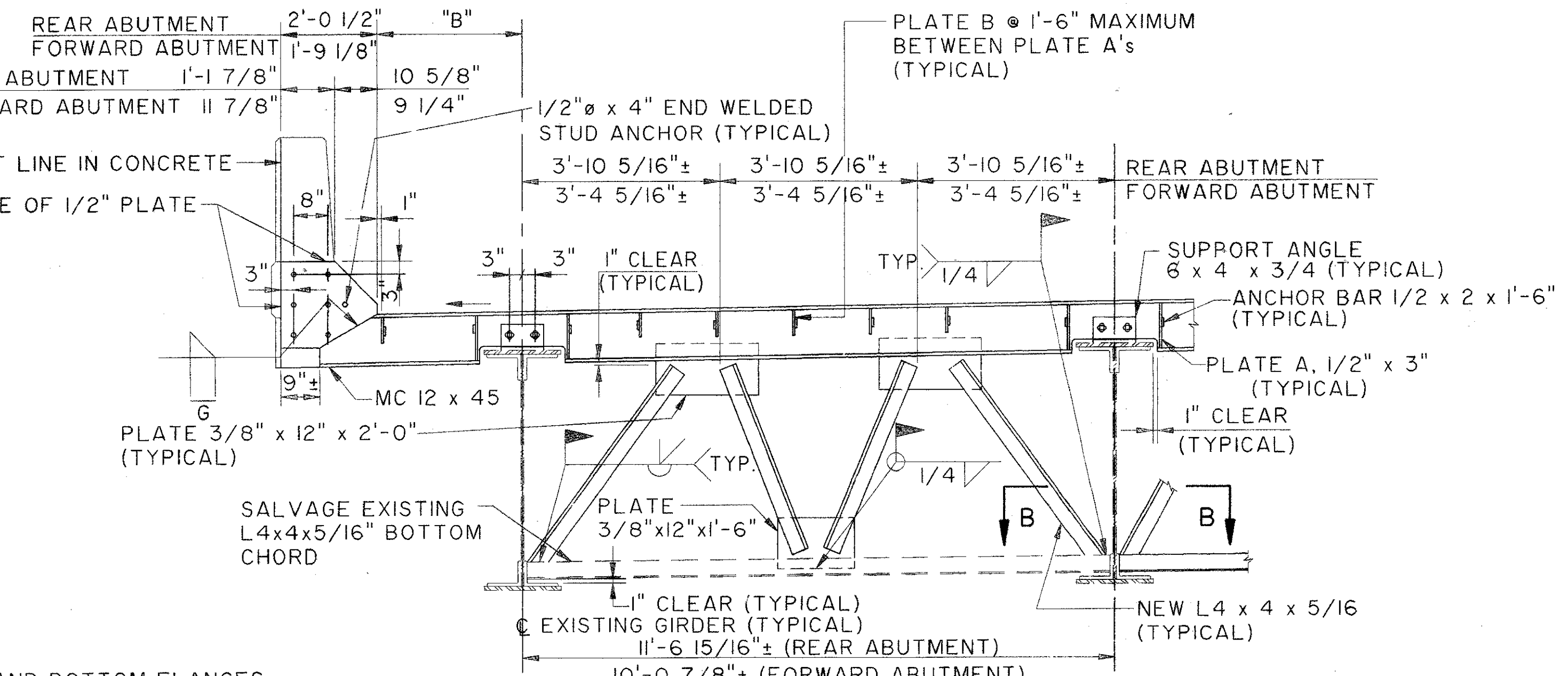


SEE SHEET 18/52 FOR EXISTING DECK REMOVAL FOR THE INSTALLATION OF SUPERSTRUCTURE END DAM.

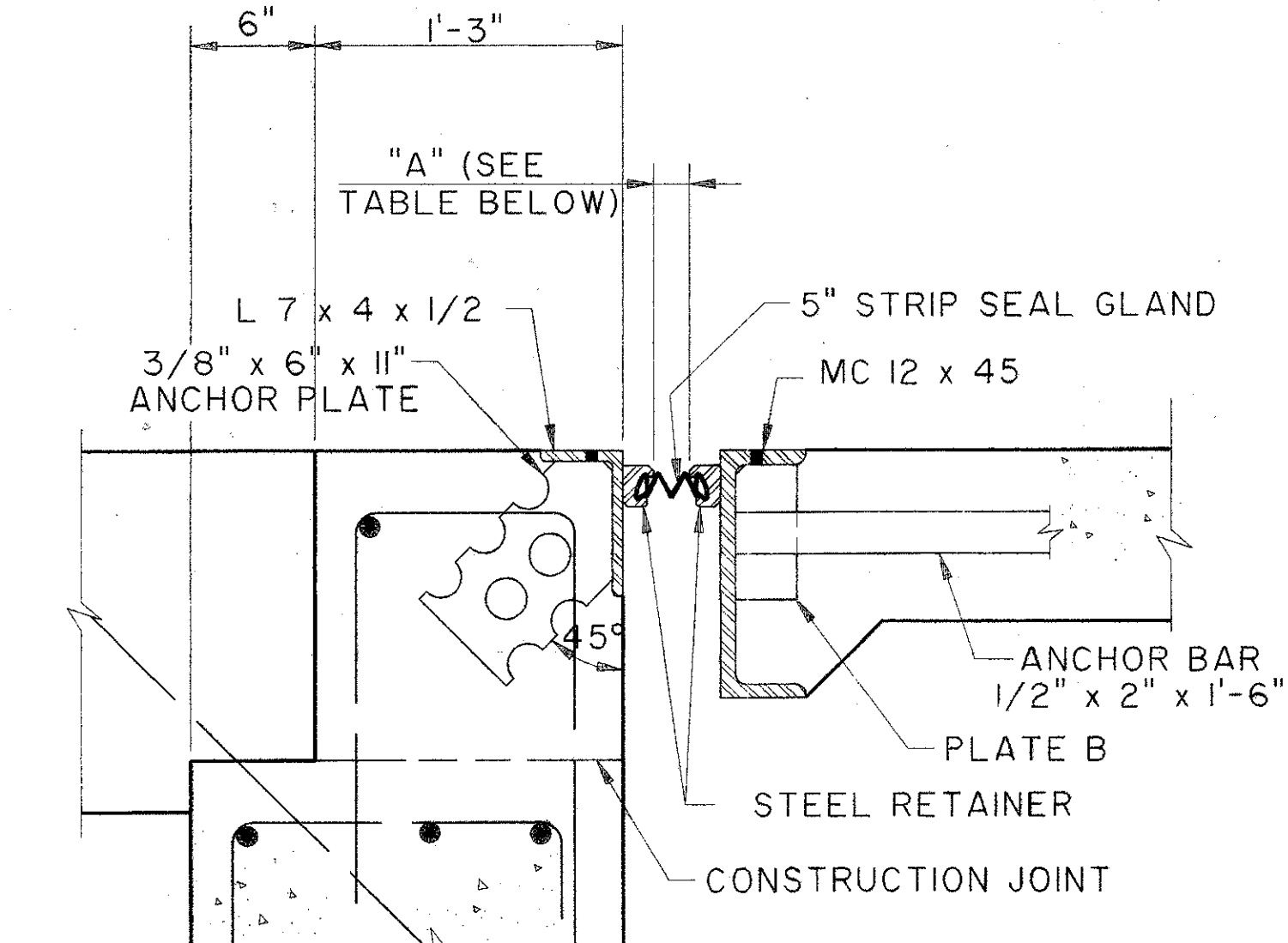
	DIMENSION "B" FOR END DAM	
	REAR ABUTMENT	FORWARD ABUTMENT
LEFT SIDE OF JOINT LOOKING UP STATION	2'-4 7/8"±	2'-11 3/4"±
RIGHT SIDE OF JOINT LOOKING UP STATION	3'-9 1/2"±	1'-11 5/8"±



SECTION B-B

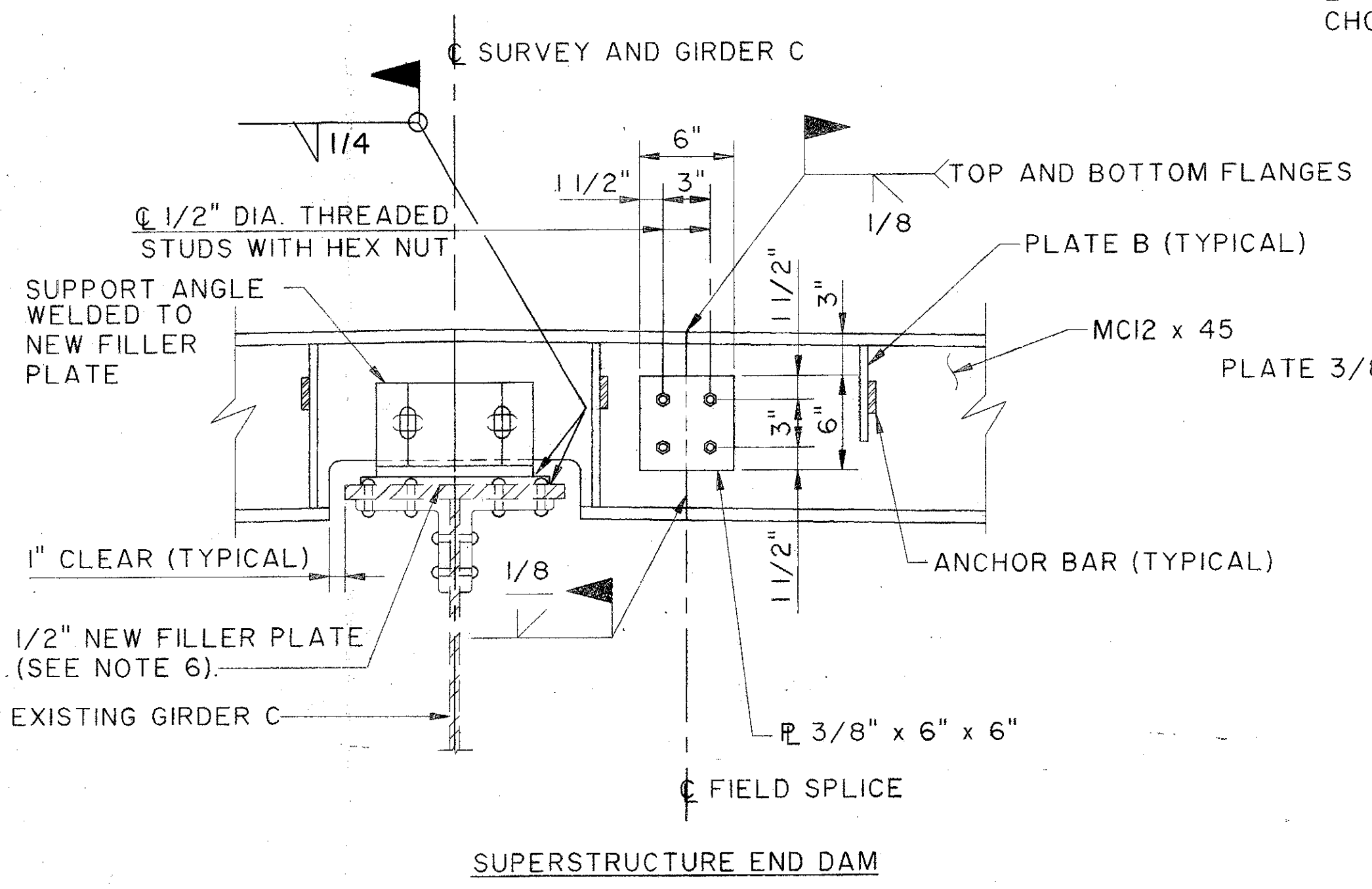


TYPICAL END CROSSFRAME AND NEW EXPANSION JOINT ARMOR ASSEMBLY DETAIL



DIMENSION "A" FOR DECK JOINT OPENING						
30°	40°	50°	60°	70°	80°	90°
2 7/8"	2 3/4"	2 5/8"	2 1/2"	2 3/8"	2 1/4"	2 1/8"

SECTION A-A



SPlice DETAILS FOR END DAM ARMOR

NOTES:

1. THE REMOVAL OF THE EXISTING TOP AND BOTTOM GUSSET PLATES, THE EXISTING END CROSSFRAME DIAGONALS AND EXISTING EXPANSION JOINT END DAMS SHALL BE INCLUDED WITH ITEM 202-PORTIONS OF STRUCTURE REMOVED, AS PER PLAN FOR PAYMENT.
2. FOR ADDITIONAL EXPANSION JOINT DETAILS SEE STANDARD DRAWINGS EXJ-4-87.
3. FOR ADDITIONAL DETAILS ON END CROSSFRAME SEE STANDARD DRAWING GSD-1-96.
4. FIELD VERIFY LOCATIONS OF ALL EXISTING GIRDER ENDS WITH RESPECT TO NEW DECK EXPANSION JOINT COMPONENTS AFTER DECK REMOVAL AND PRIOR TO ANY ENDDAM OR END CROSSFRAME FABRICATION. DIMENSIONS FURNISHED ARE TO BE USED AS REFERENCE.
5. STRIP SEAL FOR EACH DECK JOINT SHALL BE FURNISHED AND INSTALLED IN ONE CONTINUOUS PIECE.
6. FIELD CUT FILLER PLATE AS REQUIRED TO AVOID INTERFERENCE WITH EXISTING RIVETS. INCLUDE WITH ITEM 863 FOR PAYMENT. WELD FILLER PLATE TO EXISTING COVER PLATE.
7. INSTALLATION OF SEAL: DURING INSTALLATION OF THE SUPPORT/ARMOR FOR THE SUPERSTRUCTURE SIDE OF THE EXPANSION JOINT SEAL, THE SEATING OF BEAMS ON BEARINGS SHALL BE CAREFULLY OBSERVED TO ASSURE THAT POSITIVE BEARING IS MAINTAINED. PROPER VERTICAL FIT OF THE SUPPORT/ARMOR ON THE BEAMS SHALL BE ACHIEVED BY POSITIONING OF THE BEVEL FILL PLATES RATHER THAN BY CLAMPING FORCE.

THE OSBORN ENGINEERING COMPANY 17/52
CONSULTING ENGINEERS
CLEVELAND, OHIO 44114

EXPANSION JOINT AND
END CROSSFRAME DETAILS
BRIDGE NO. LAK-90-1742
S.R. 86 OVER I-90

DESIGNED	DRAWN	TRACED	CHECKED	REVIEWED	DATE	REVISED
LYH	BFG		JRS	GA	2/94	

File Name: K:\03\1000\10185\STRUCT\01855772
 Drawn By/Date: Brc / 08-02-94 (141)

S.R. 86