

SEEDING
END WIDTH SO.
YDS. YDS.

CALC. APG
BY: GA
DATE: 5/94
CHK'D GA
BY: GA
DATE: 5/94

OHIO
F.H.W.A. 5
REGION

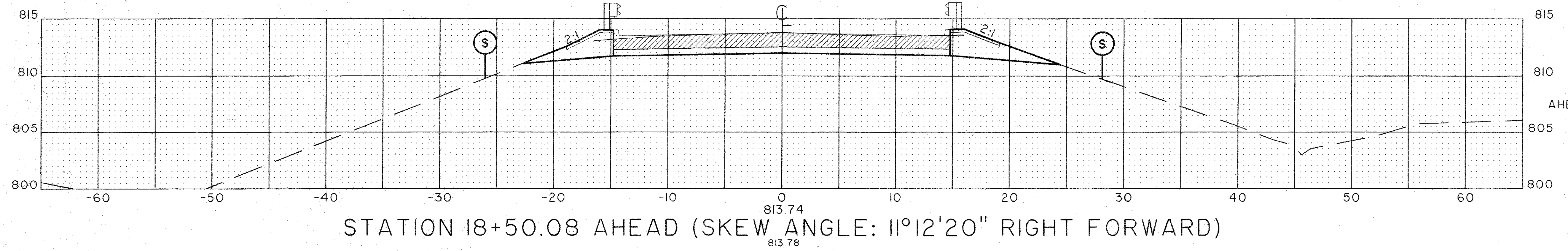
36
92

LAKE COUNTY
LAK-90-17.42/25.15/27.76

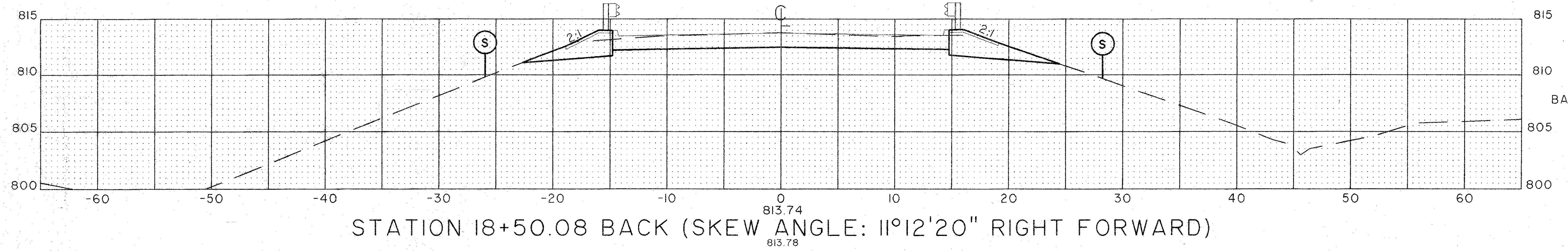
NOTES: 1) ALL SLOPES ARE NORMAL TO THE ROADWAY CENTERLINE
2) SEEDING AND MULCHING QUANTITIES ARE CALCULATED ON THE PLAN AND PROFILE SHEETS AND CARRIED TO THE GENERAL SUMMARY

(S) - LIMITS OF SEEDING AND MULCHING

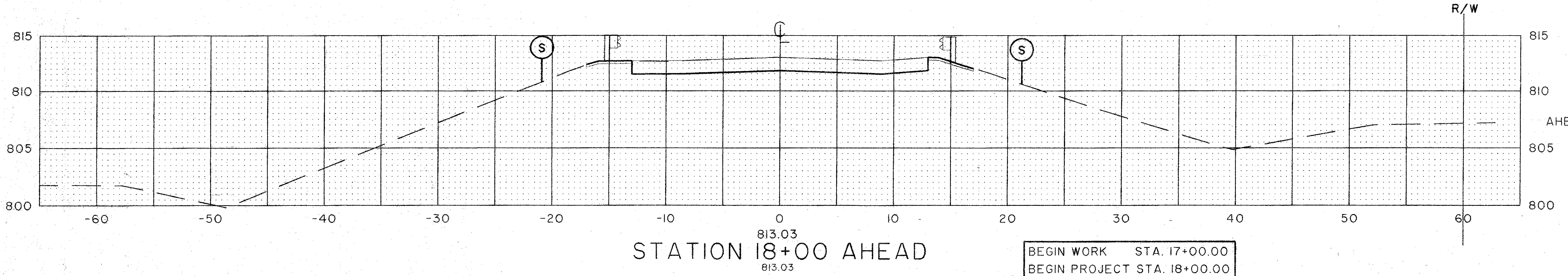
ITEM 202 - APPROACH SLAB REMOVED



STATION 18+50.08 AHEAD (SKEW ANGLE: 11°12'20" RIGHT FORWARD)



STATION 18+50.08 BACK (SKEW ANGLE: 11°12'20" RIGHT FORWARD)



STATION 18+00 AHEAD

BEGIN WORK STA. 17+00.00
BEGIN PROJECT STA. 18+00.00

END AREA		VOLUME	
CUT	FILL	CUT	FILL
AHEAD	36	23	
BACK	54	23	
		80	21
TOTAL		80	21

CROSS SECTIONS

Drawn By: Date: Rbr / 05-18-94 (18)
 Checked By: Date: Rbr / 05-18-94 (18)

BATES RD.