

SEEDING	
END WIDTH	SQ. YDS.

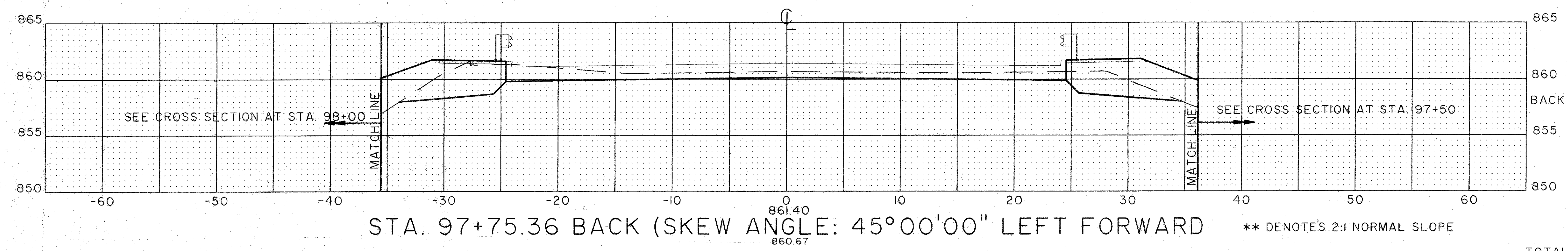
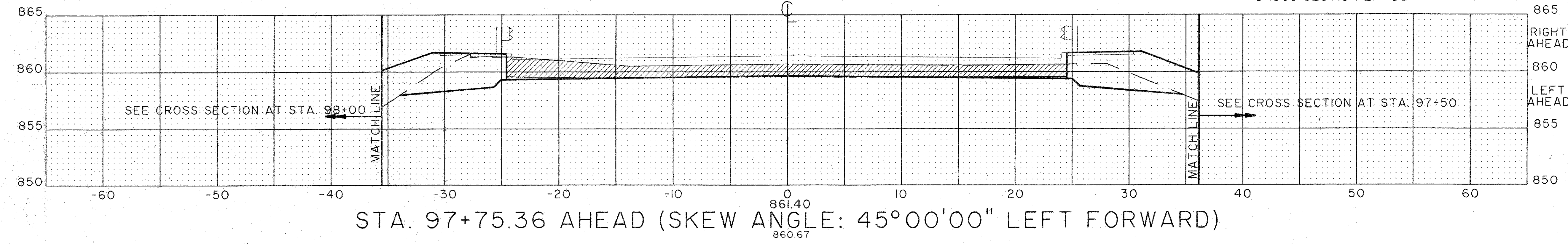
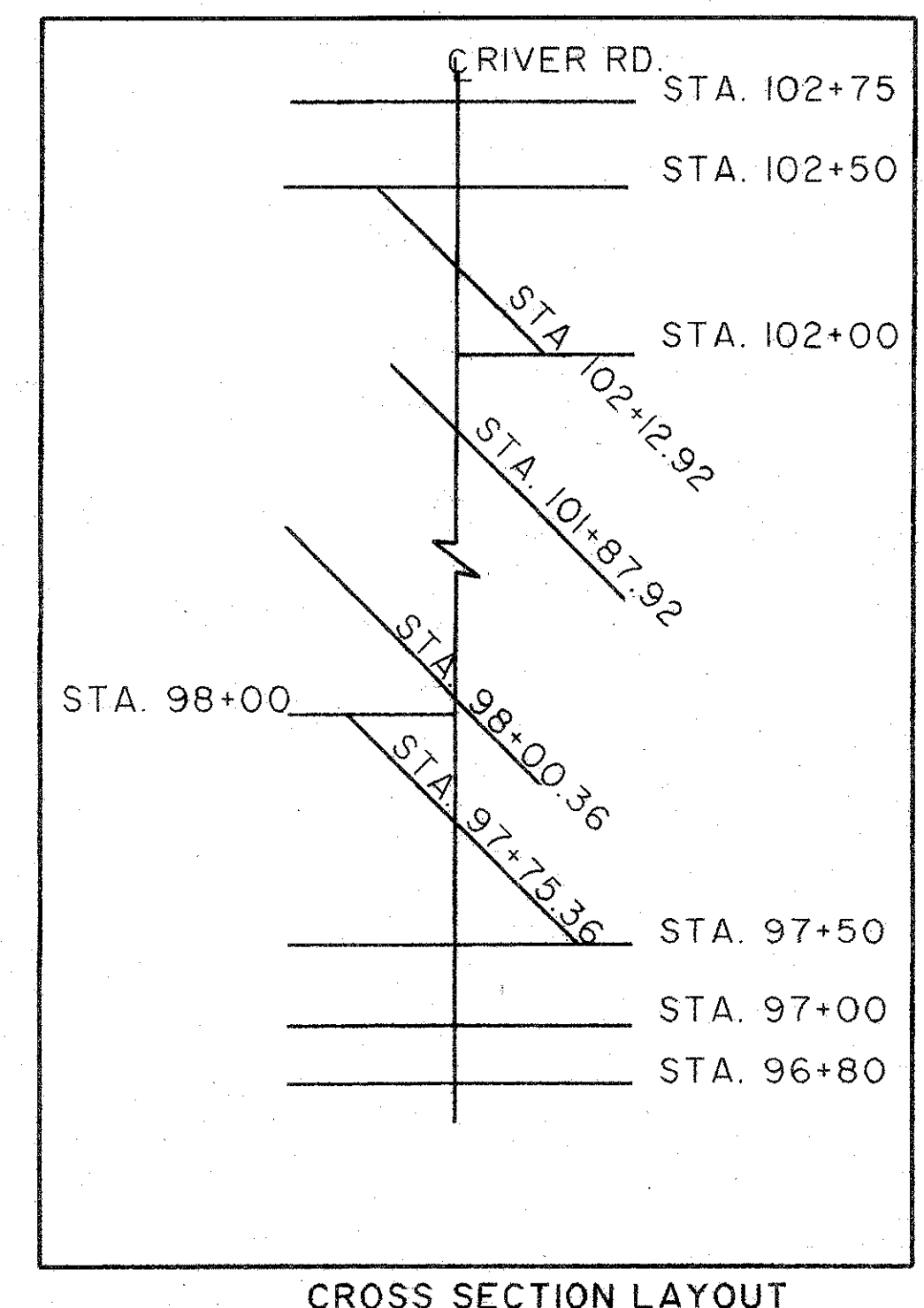
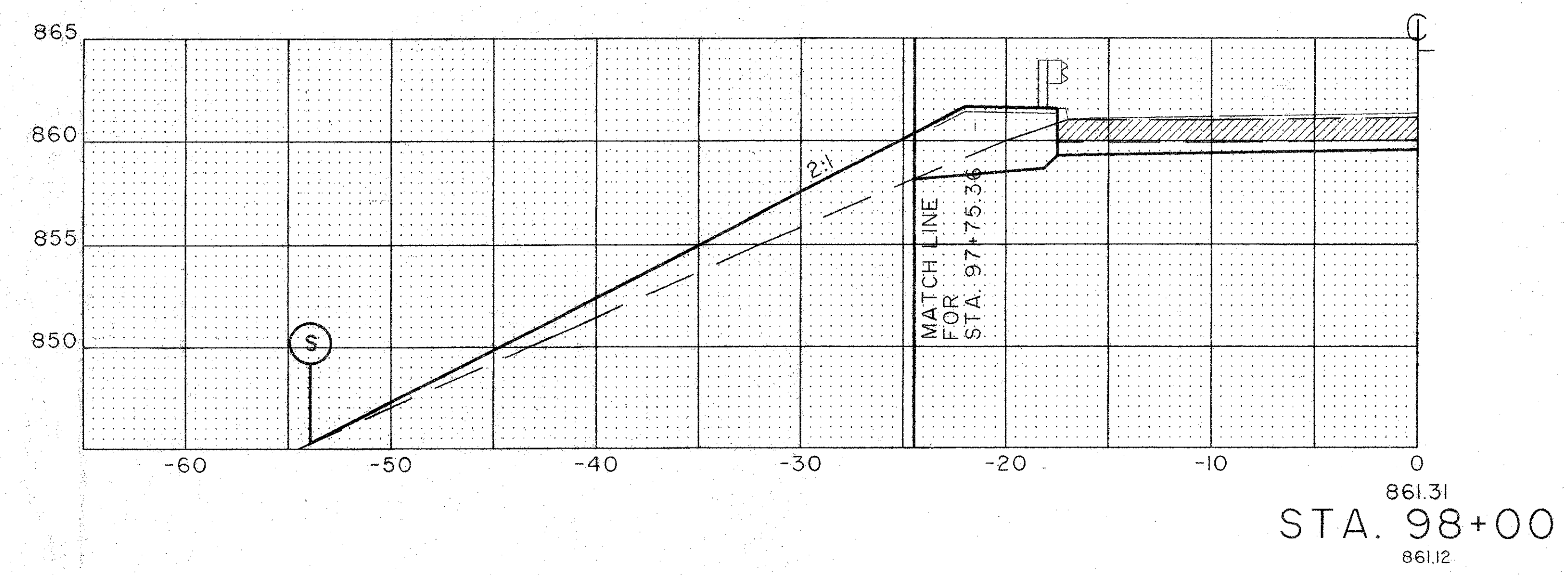
CALC. BY: APG DATE: 5/94 CHK'D BY: GA DATE: 5/94	OHIO F.H.W.A. 5 REGION 5	33 92
---	--------------------------------	----------

(S) - LIMITS OF SEEDING AND MULCHING

ITEM 202 - APPROACH SLAB REMOVED

LAKE COUNTY
LAK-90-17.42/25.15/27.76

NOTES: 1) ALL SLOPES ARE NORMAL TO THE ROADWAY CENTERLINE
2) SEEDING AND MULCHING QUANTITIES ARE CALCULATED ON THE PLAN AND PROFILE SHEETS AND CARRIED TO THE GENERAL SUMMARY



	END AREA		VOLUME	
	CUT	FILL	CUT	FILL
RIGHT			15	14
LEFT AHEAD	18	55		
LEFT BACK	18	22		
LEFT			7	11
RIGHT AHEAD	10	27		
LEFT AHEAD	14	24		
BACK	47	80		
TOTAL			63	72

RIVER RD.

** DENOTES 2:1 NORMAL SLOPE

CROSS SECTIONS

File: K:\01\0207\0185\STRUCT\0185S21
 Plot Date: 5/94
 Drawn By: Date: 5/94 (16)