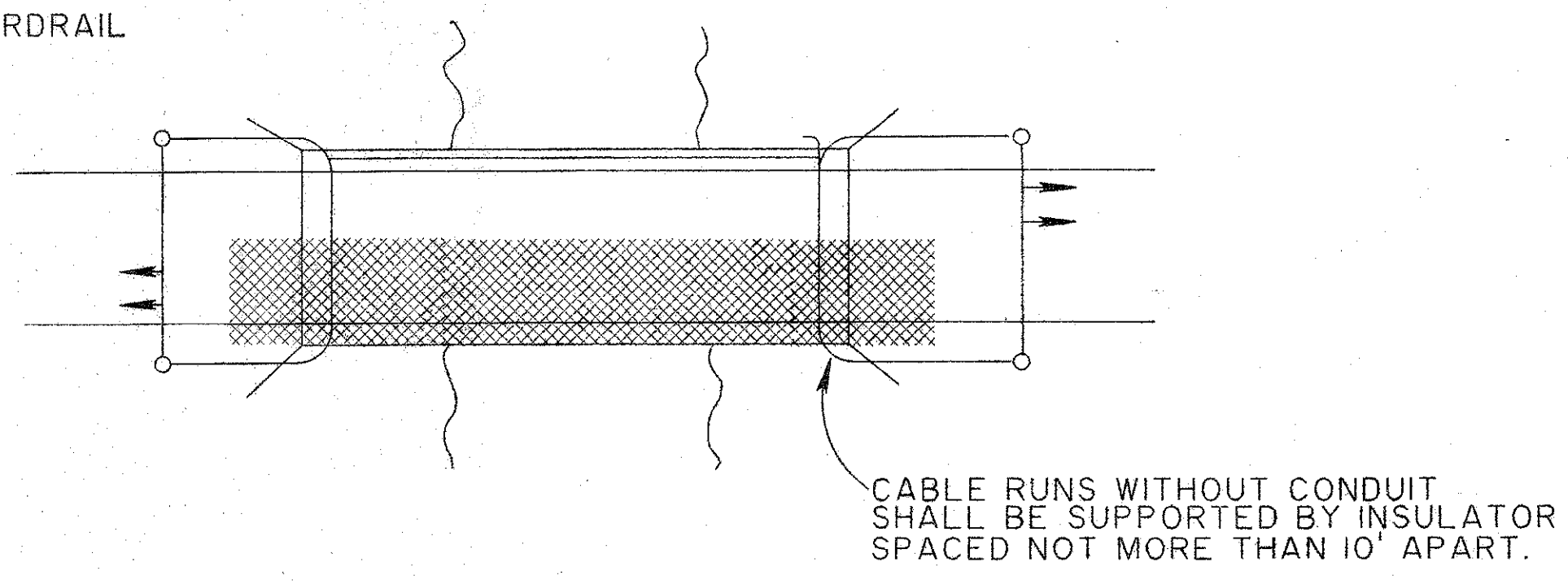
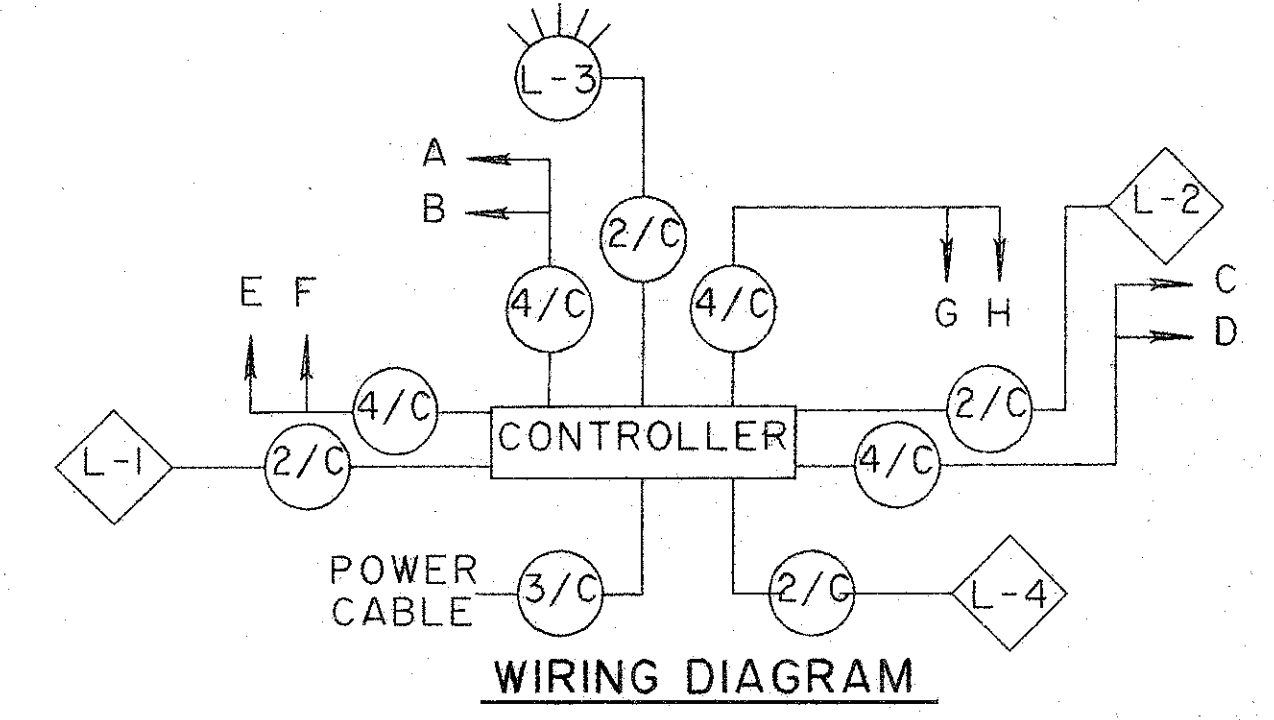


NOTE: 5/C SIGNAL CABLE MAY BE USED IN LIEU OF 4/C DEPENDING ON AVAILABILITY



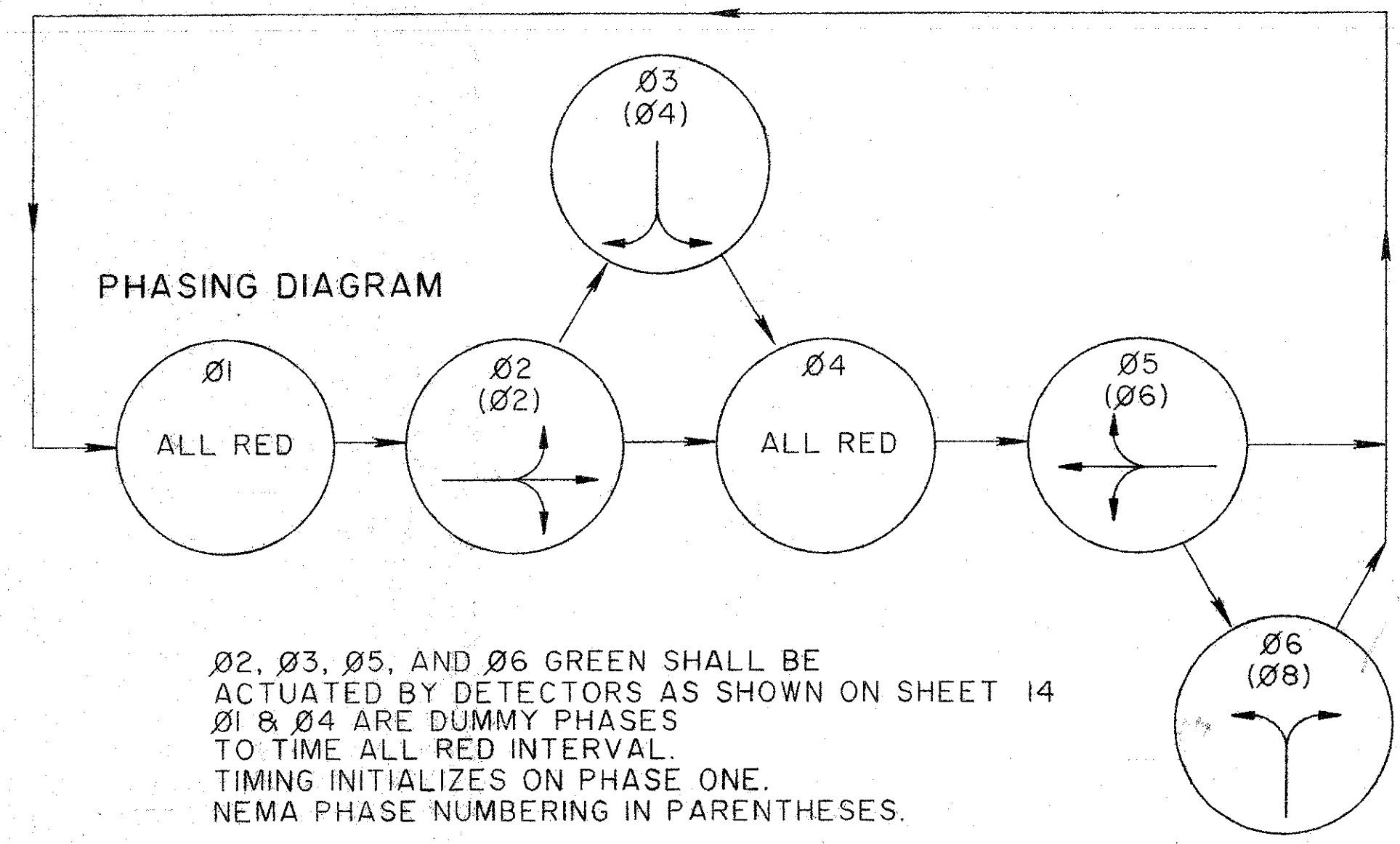
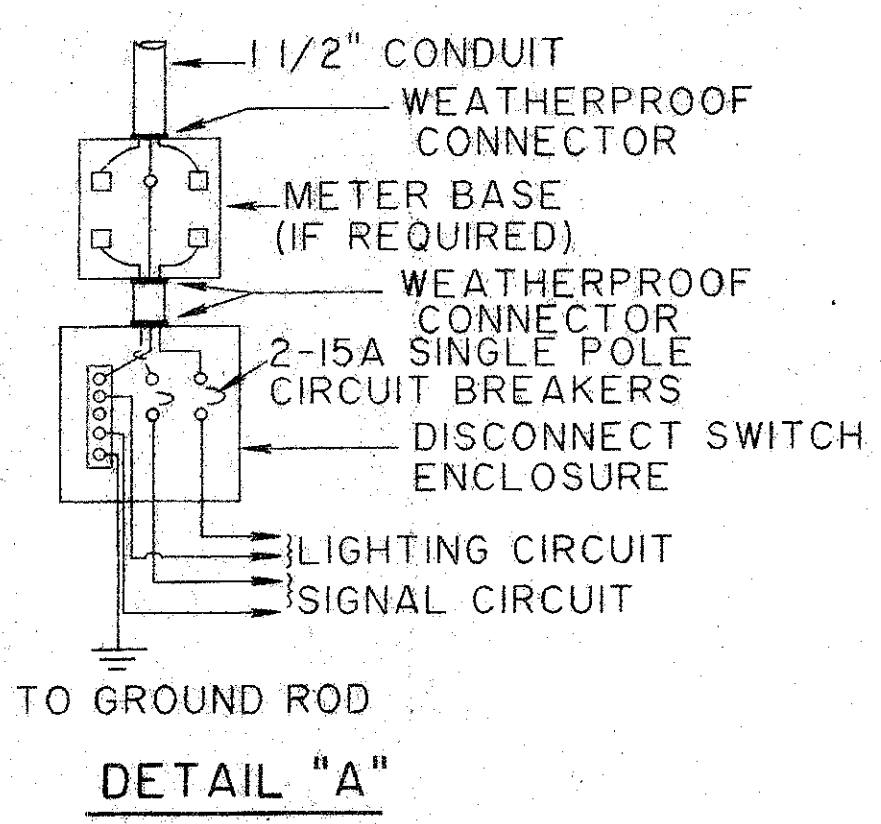
**SIGNAL DISPLAY CHART**

SIGNAL HEAD	Ø1	Ø2	Ø3	Ø4	Ø5	Ø6	FLASHING
	CLEAR	R/W CLEAR	R/W CLEAR	CLEAR	R/W CLEAR	R/W CLEAR	
A	R	G Y R	R R R	R	R R R	R R R	R
B	R	G Y R	R R R	R	R R R	R R R	R
C	R	R R R	R R R	R	G Y R	R R R	R
D	R	R R R	R R R	R	G Y R	R R R	R
E	R	R R R	R G Y R	R	R R R	R R R	R
F	R	R R R	R G Y R	R	R R R	R R R	R
G	R	R R R	R R R	R	R R R	R G Y R	R
H	R	R R R	R R R	R	R R R	R G Y R	R

**SIGNAL TIMING CHART**

INTERVAL	PHASE					
	Ø1	Ø2	Ø3	Ø4	Ø5	Ø6
MIN. GREEN		10	8		10	8
EXTENSION		4			4	2
GAP		3			3	3
MAX. GREEN		20	8		20	12
YELLOW		3	3		3	3
ALL RED	29	3	1	29	3	1
MEMORY	LOCK	LOCK		LOCK	LOCK	
RECALL		ON OFF			ON OFF	

NOTE: SIGNAL TIMING MAY BE SUBJECT TO CHANGE AS DIRECTED BY THE ENGINEER.



Ø2, Ø3, Ø5, AND Ø6 GREEN SHALL BE ACTUATED BY DETECTORS AS SHOWN ON SHEET 14 Ø1 & Ø4 ARE DUMMY PHASES TO TIME ALL RED INTERVAL. TIMING INITIALIZES ON PHASE ONE. NEMA PHASE NUMBERING IN PARENTHESES.

DETAILS FOR ACTUATED SIGNALIZED CLOSING 1 LANE OF A 2 LANE HIGHWAY (4 PHASE)

File No. K-1001/0108/5/1001/0108/508  
 Date: 5/94  
 Drawn By: Bfs / 05-17-94 (1332)

S.P. 86