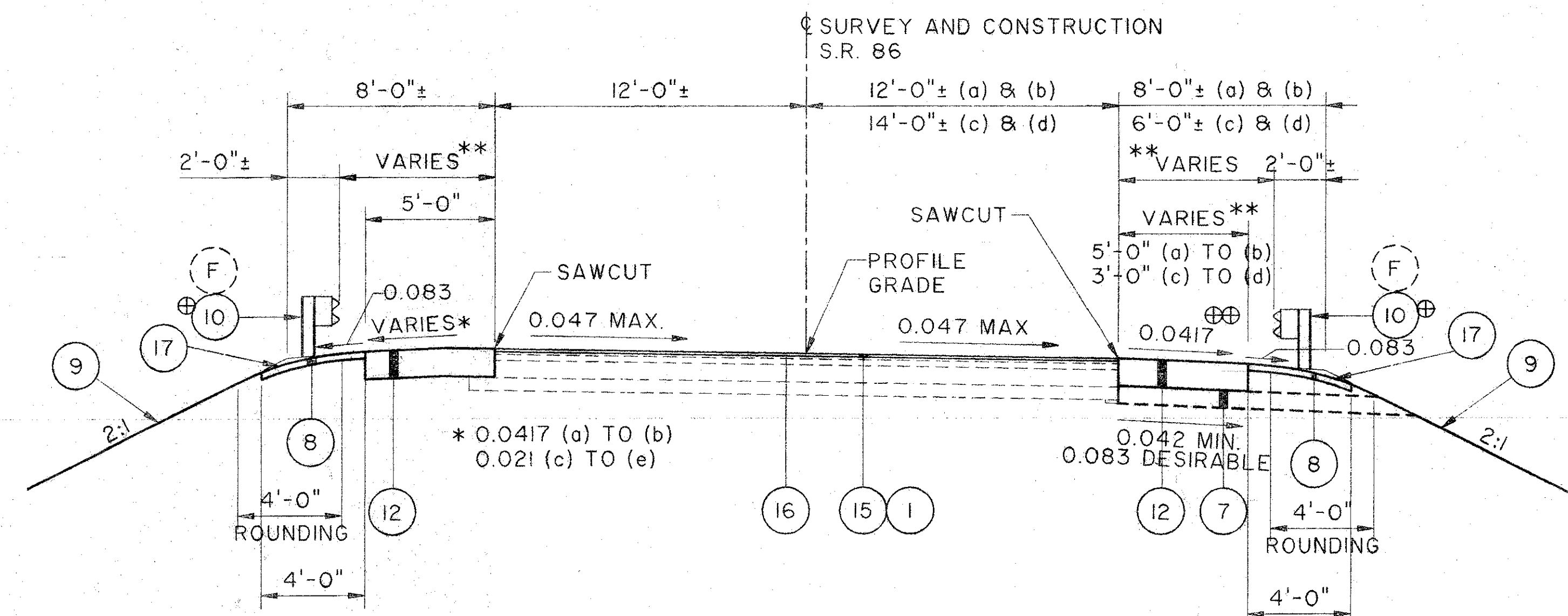
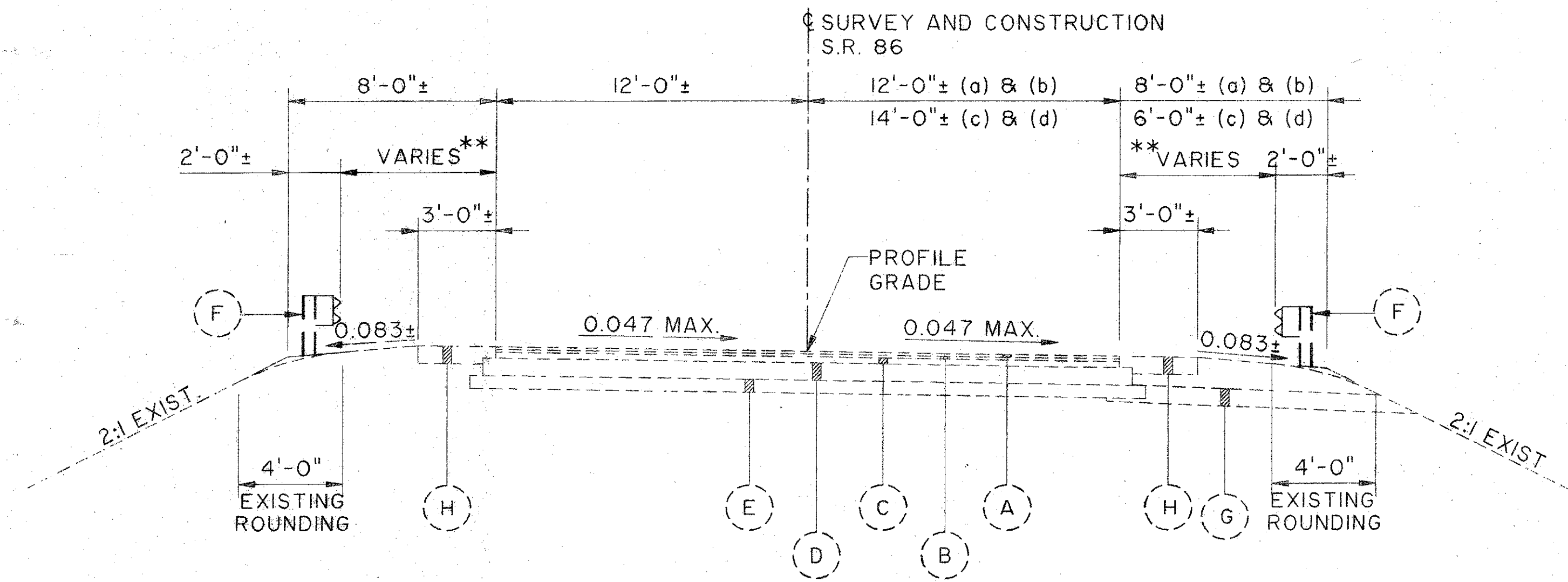


# TYPICAL SECTIONS TYPE 448 ON 301



LIMITS OF TEMPORARY PAVEMENT	STA. 25+65.00 (a) TO STA. 27+15.00 LT. (b) = 150.00 LIN. FT. (PHASE I)
	STA. 32+75.00 (c) TO STA. 34+25.00 LT. (e) = 150.00 LIN. FT. (PHASE I)
TOTAL 300.00 LIN. FT.	
LIMITS OF PAVEMENT PLANING AND RESURFACING	STA. 25+65.00 (d) TO STA. 27+15.00 RT. (b) = 150.00 LIN. FT. (PHASE II)
	STA. 32+75.00 (c) TO STA. 33+25.00 RT. (d) = 50.00 LIN. FT. (PHASE II)
TOTAL 200.00 LIN. FT.	
TOTAL 300.00 LIN. FT.	

**LEGEND**

- 1 ITEM 448, 1-1/4" ASPHALT CONCRETE, SURFACE COURSE, TYPE 1, PG 64-22
- 2 ITEM 448, 1-3/4" ASPHALT CONCRETE, INTERMEDIATE COURSE, TYPE 2, PG 64-22
- 3 ITEM 301, BITUMINOUS AGGREGATE BASE, PG 64-22
- 4 ITEM 408, BITUMINOUS PRIME COAT APPLIED AT 0.40 GALS/S.Y.
- 5 ITEM 304, 6" AGGREGATE BASE
- 6 ITEM 203, SUBGRADE COMPACTION
- 7 ITEM 605, AGGREGATE DRAIN
- 8 ITEM 448, 3" ASPHALT CONCRETE, INTERMEDIATE COURSE, TYPE 2, PG 64-22, UNDER GUARDRAIL
- 9 ITEM 659, SEEDING AND MULCHING
- 10 ITEM 606, GUARDRAIL, TYPE 5
- 11 ITEM 611, REINFORCED CONCRETE APPROACH SLAB (T = 15"), AS PER PLAN
- 12 ITEM 615, TEMPORARY PAVEMENT, CLASS B, AS PER PLAN
- 13 ITEM 830, CURB, TYPE 6
- 14 CURB, TYPE 2A
- 15 ITEM 254, PAVEMENT PLANING, BITUMINOUS (DEPTH 1 1/4")
- 16 ITEM 407, TACK COAT
- 17 ITEM 203, LINEAR GRADING
- 18 ITEM 407, TACK COAT FOR INTERMEDIATE COURSE
- A ASPHALT CONCRETE SURFACE COURSE
- B ASPHALT CONCRETE LEVELING COURSE
- C 2 3/4"± ASPHALT CONCRETE BASE COURSE
- D 8"± CRUSHED AGGREGATE BASE COURSE
- E 6"± SUBBASE
- F EXISTING TYPE 5 GUARDRAIL
- G STONE UNDERDRAIN
- H AGGREGATE SHOULDER
- I 5"± CRUSHED AGGREGATE BASE COURSE
- J 4"± SUBBASE
- K 6"± CRUSHED AGGREGATE BASE COURSE
- \*\* GUARDRAIL OFFSET VARIES SEE PLAN AND PROFILE DRAWINGS
- ⊕ FOR LIMIT OF GUARDRAIL SEE PLAN AND PROFILE.

File Name: K:\VCL\0007\0186\STRUCT\0186S028  
 Drawn By: Date: 11/15/94 (0951)