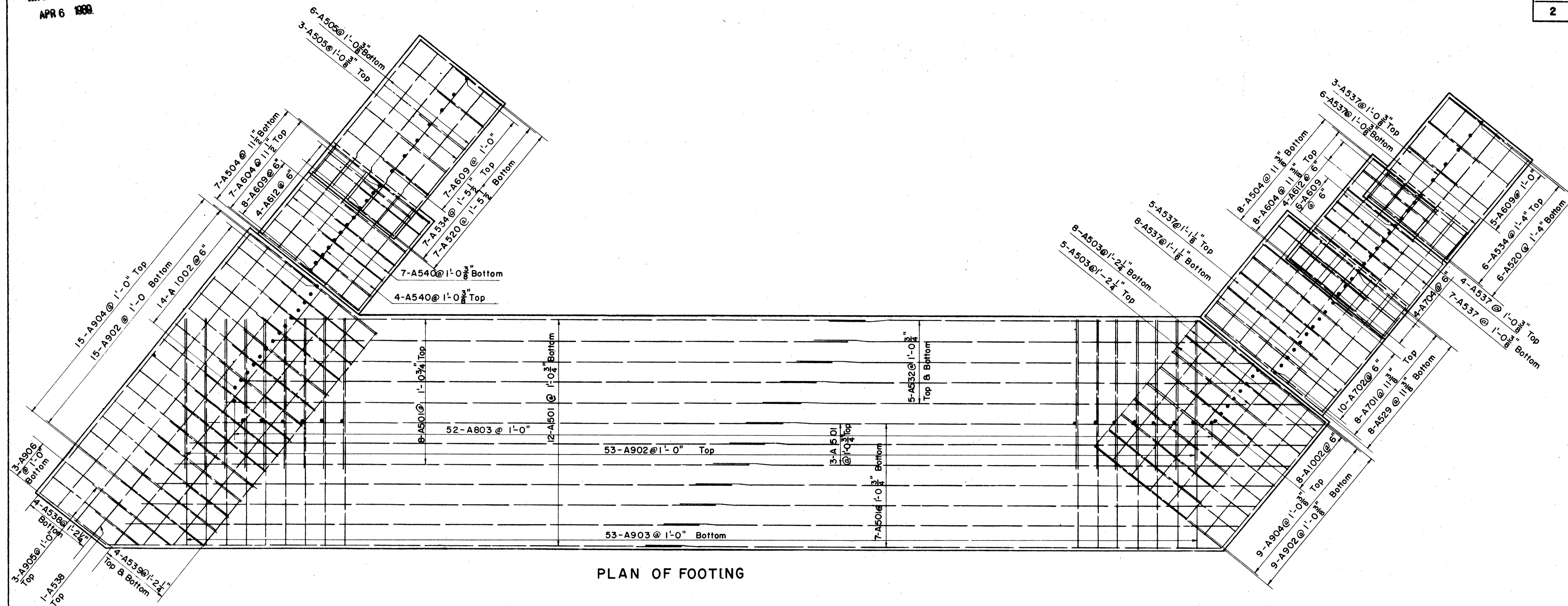


MICROFILMED
APR 6 1969

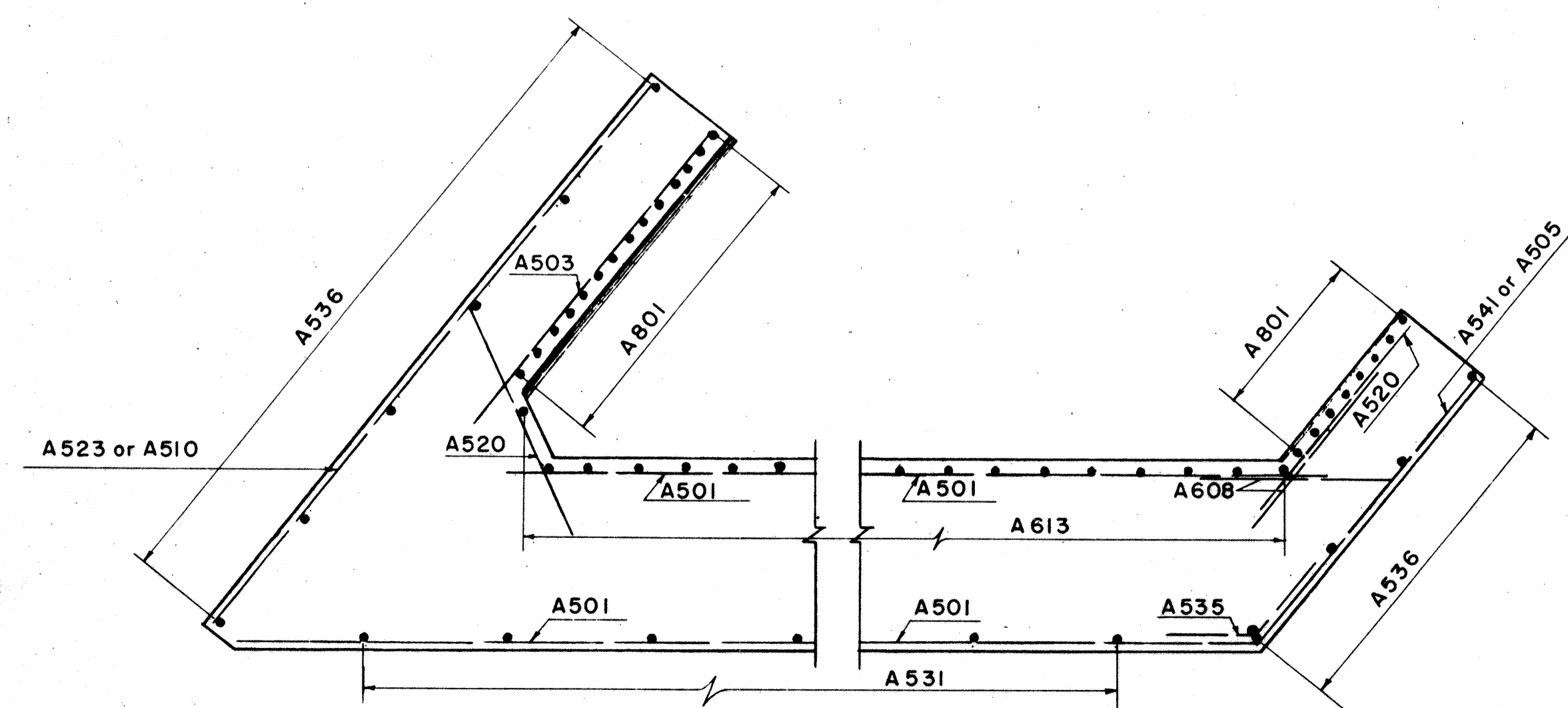
FED. RD. DIVISION	STATE	PROJECT
2	OHIO	ACI-1103 (27)

390
413

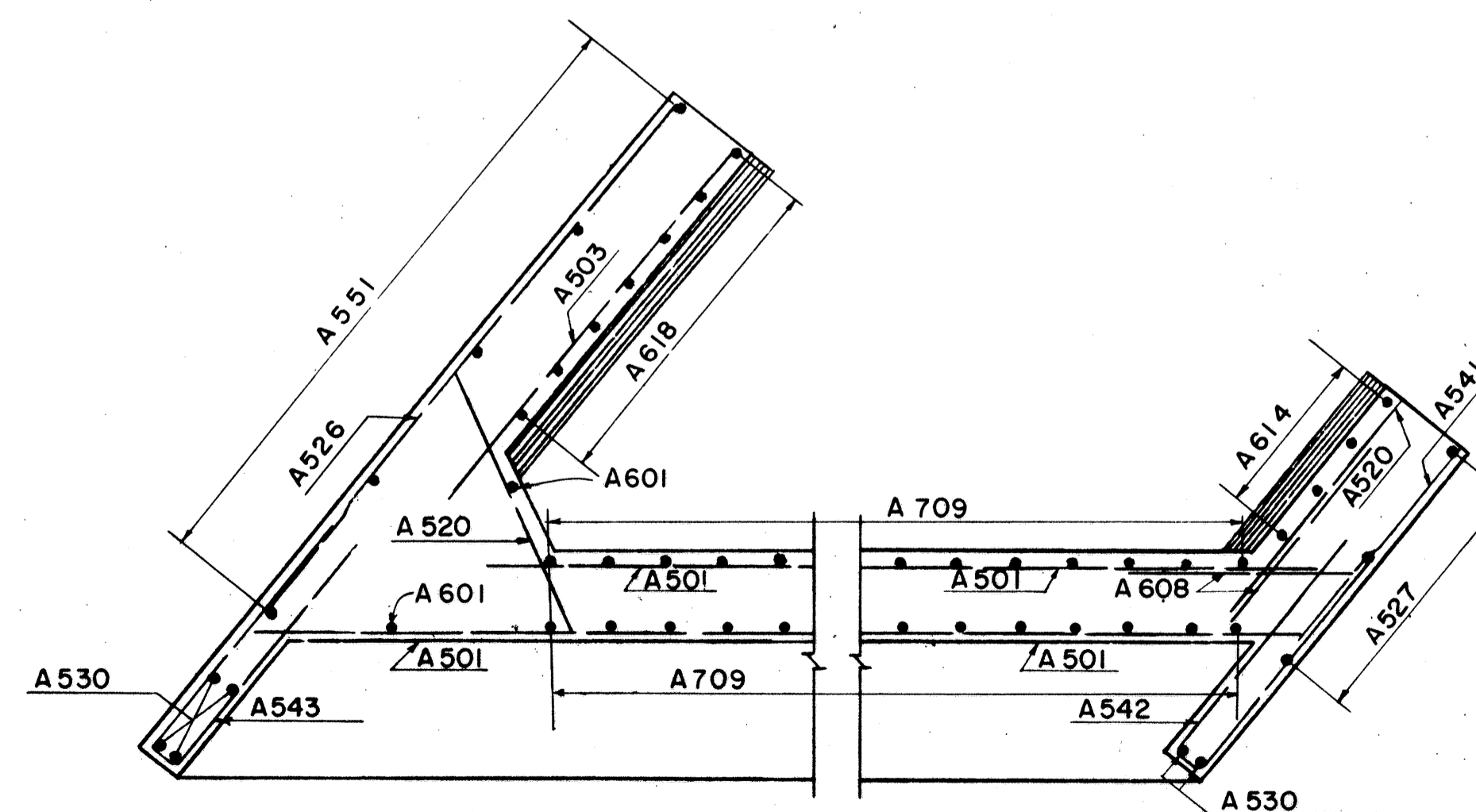
LAKE COUNTY
SEC. LAK-1-16.55



PLAN OF FOOTING



SECTION L-L



SECTION K-K

SEC. C-33 FED. AID PROJ. NO. ACI-1103 (27)

PREPARED BY
CAPITOL ENGINEERING ASSOCIATES, DILLSBURG, PA.
FOR

STATE OF OHIO
DEPARTMENT OF HIGHWAYS

EAST ABUTMENT

BRIDGE NO. LAK-1-1905
S.R.I. OVER PAINE CREEK (NORTH BRIDGE)
LAKE COUNTY

STA. 654+75

DESIGNED	DRAWN	TRACED	CHECKED	REVISED	DATE	REVISED
DS	DS	LL	JMR			6-3-58