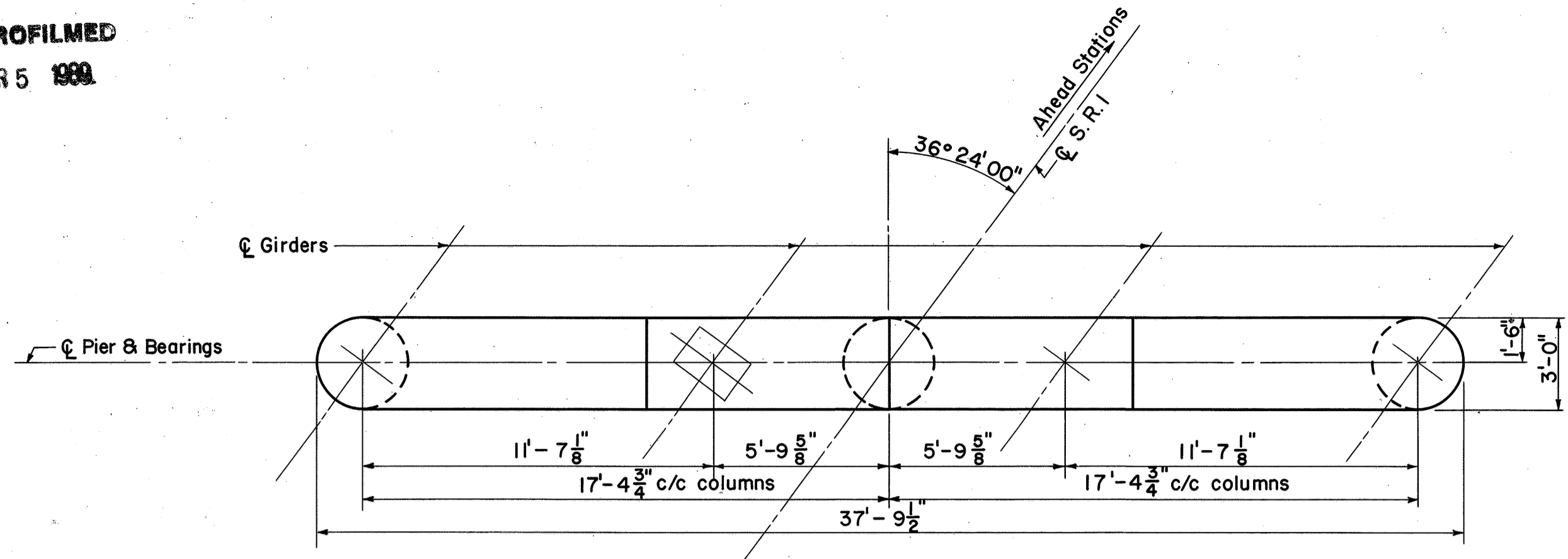
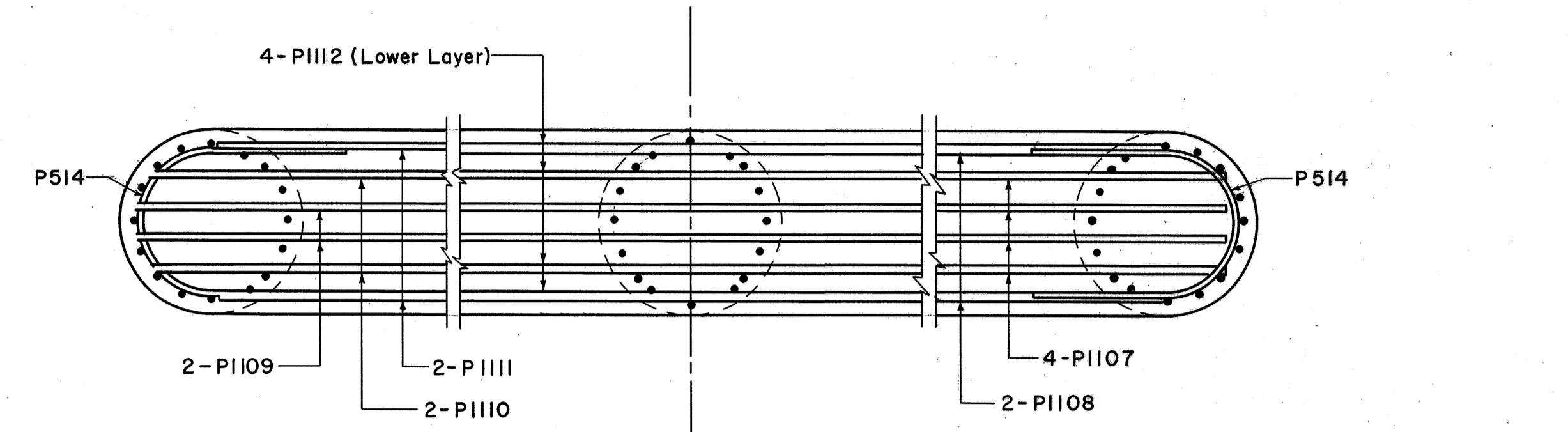


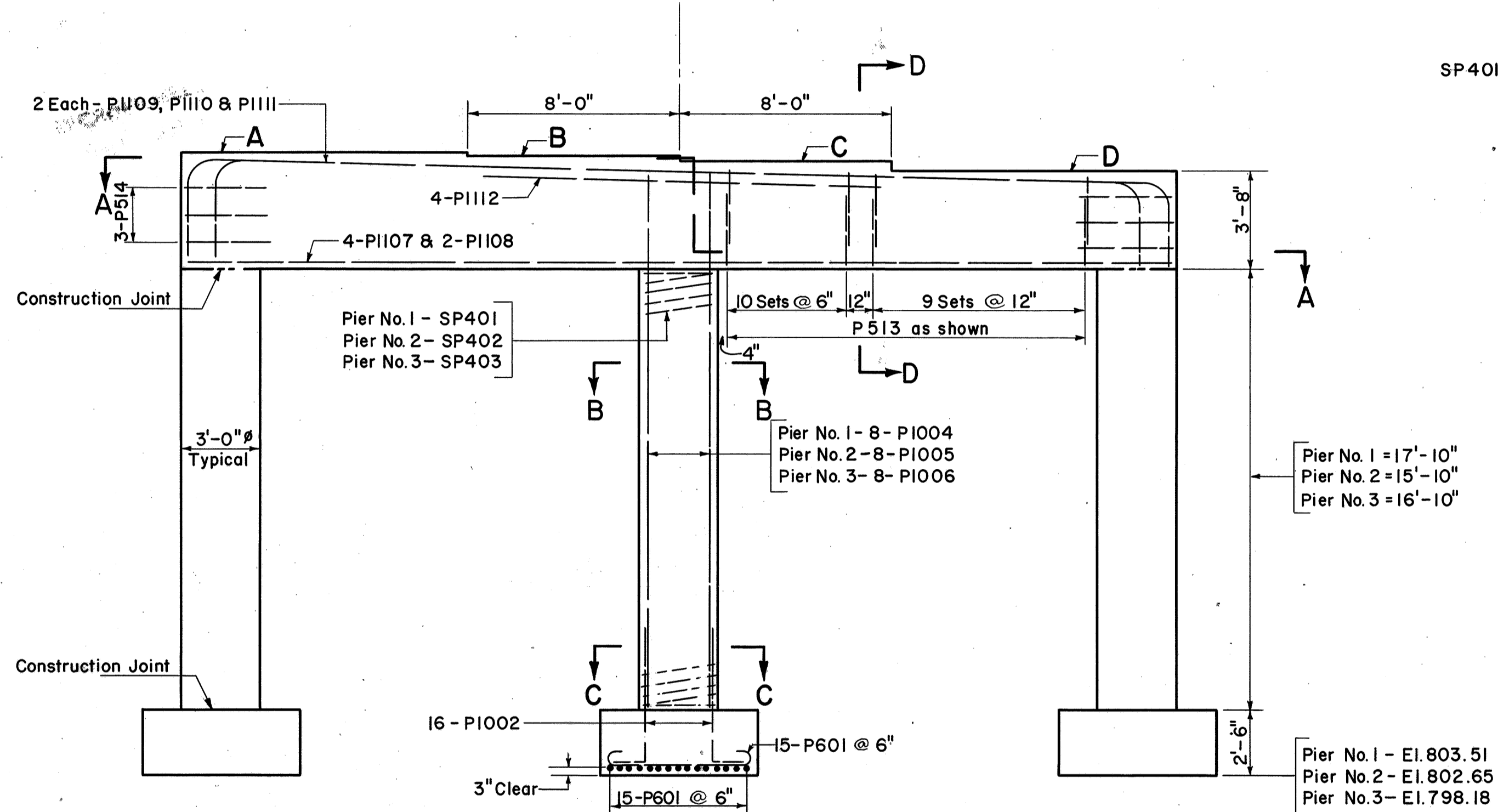
LAKE COUNTY
SEC. LAK-1-16.55



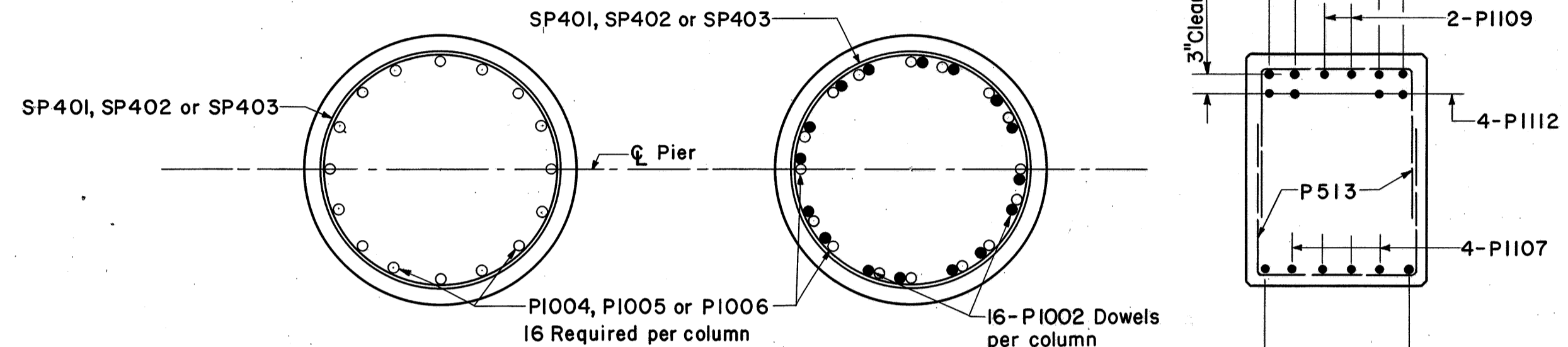
PIER CAP PLAN



SECTION A-A



PIER ELEVATION
(Looking Ahead Stations)



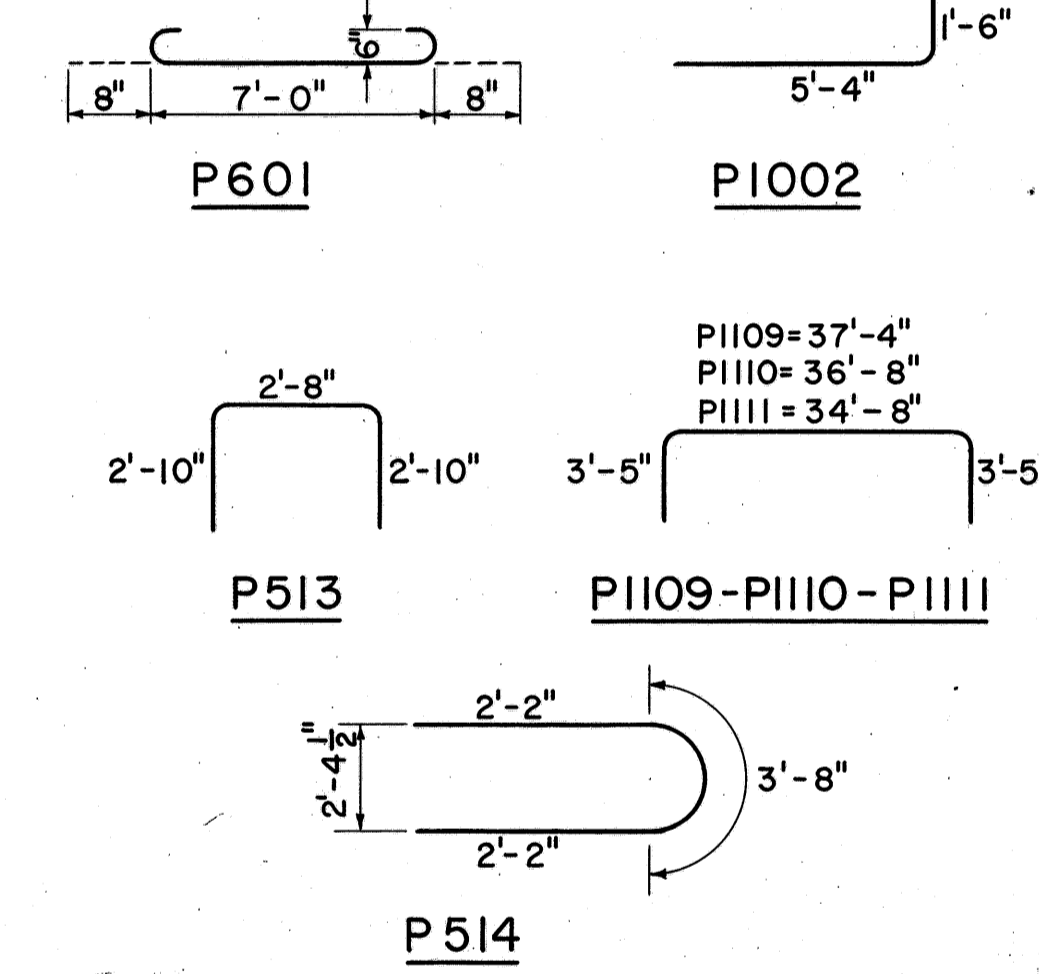
SECTION B-B

SECTION C-C

PIER BAR LIST

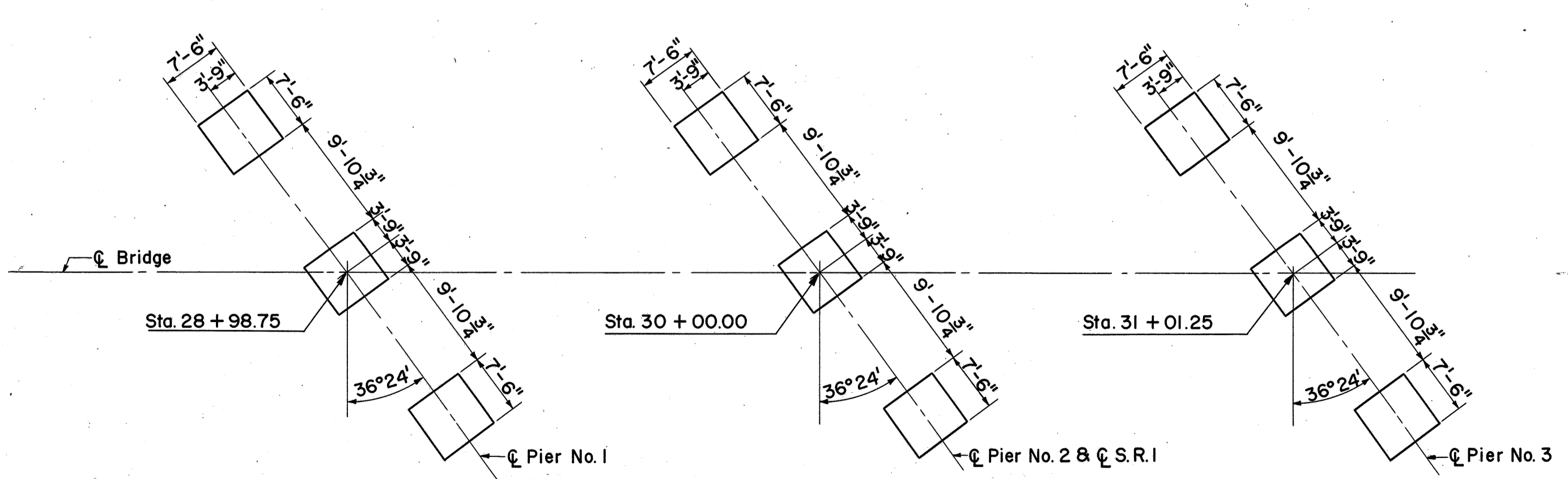
MARK	NO. REQ'D. PER PIER			SIZE	LENGTH	TYPE	WEIGHT
	NO. 1	NO. 2	NO. 3				
P601	84	84	84	252	6	8'-4"	BENT 1968
P1002	48	48	48	144	10	6'-7"	BENT 4085
P1004	48			48	10	21'-3"	STR. 4389
P1005		48		48	10	19'-3"	STR. 3976
P1006			48	48	10	20'-3"	STR. 4183
P1107	4	4	4	12	11	36'-8"	STR. 2335
P1108	2	2	2	6	11	34'-8"	STR. 1105
P1109	2	2	2	6	11	43'-6"	BENT 1387
P1110	2	2	2	6	11	42'-10"	BENT 1365
P1111	2	2	2	6	11	40'-10"	BENT 1302
P1112	4	4	4	12	11	15'-0"	STR. 959
P513	76	76	76	228	5	8'-0"	BENT 1902
P514	6	6	6	18	5	8'-0"	BENT 152

MARK	NO.	SIZE	LENGTH	PITCH	NTURNS	SCORE DIA.
SP401	3	1 1/2"	17'-9"	4 1/2"	51	32"
SP402	3	1 1/2"	15'-9"	4 1/2"	45	32"
SP403	3	1 1/2"	16'-9"	4 1/2"	48	32"

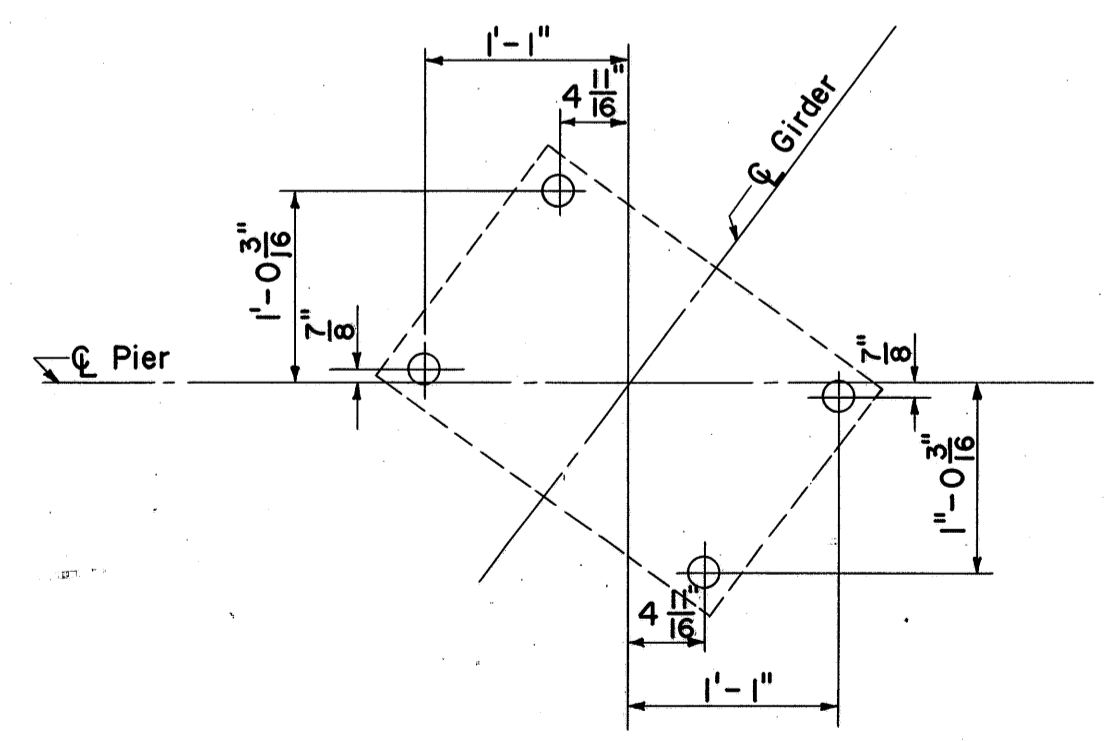


PIER NOTES

SPIRAL NOTES



PIER FOOTING PLAN



ANCHOR BOLT LAYOUT
PIER NO. 2

BEAM SEAT ELEVATIONS				
	A	B	C	D
Pier No. 1	827.97	827.96	827.81	827.51
Pier No. 2	825.28	825.22	825.01	824.65
Pier No. 3	821.98	821.87	821.60	821.18

SEC. C-33 FED. AID PROJ. NO. ACI-1103(27)

PREPARED BY
CAPITOL ENGINEERING ASSOCIATES, DILLSBURG, PA.
FOR

STATE OF OHIO
DEPARTMENT OF HIGHWAYS

PIER DETAILS
BRIDGE NO. LAK-1-1822
S.R.I. UNDER VROOMAN ROAD
LAKE COUNTY
STA. 608+77.78

DESIGNED	DRAWN	TRACED	CHECKED	REVISED	DATE	REVISED
HK	BJ		MM			