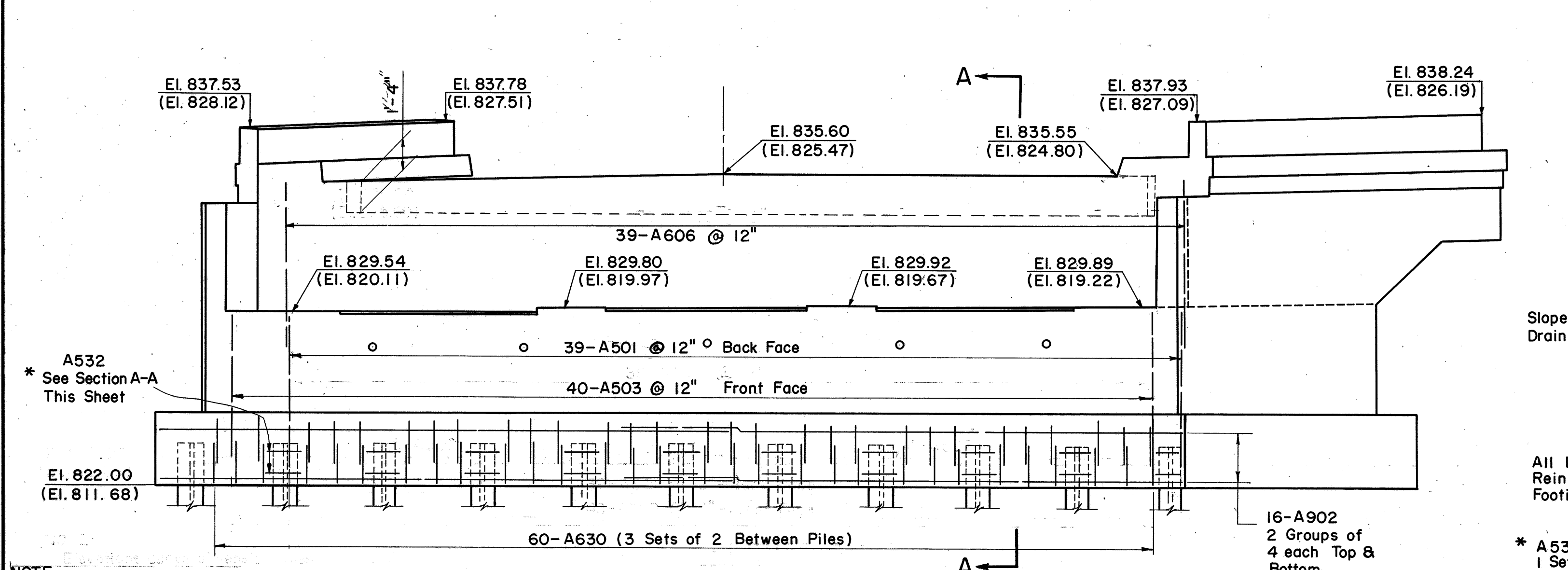
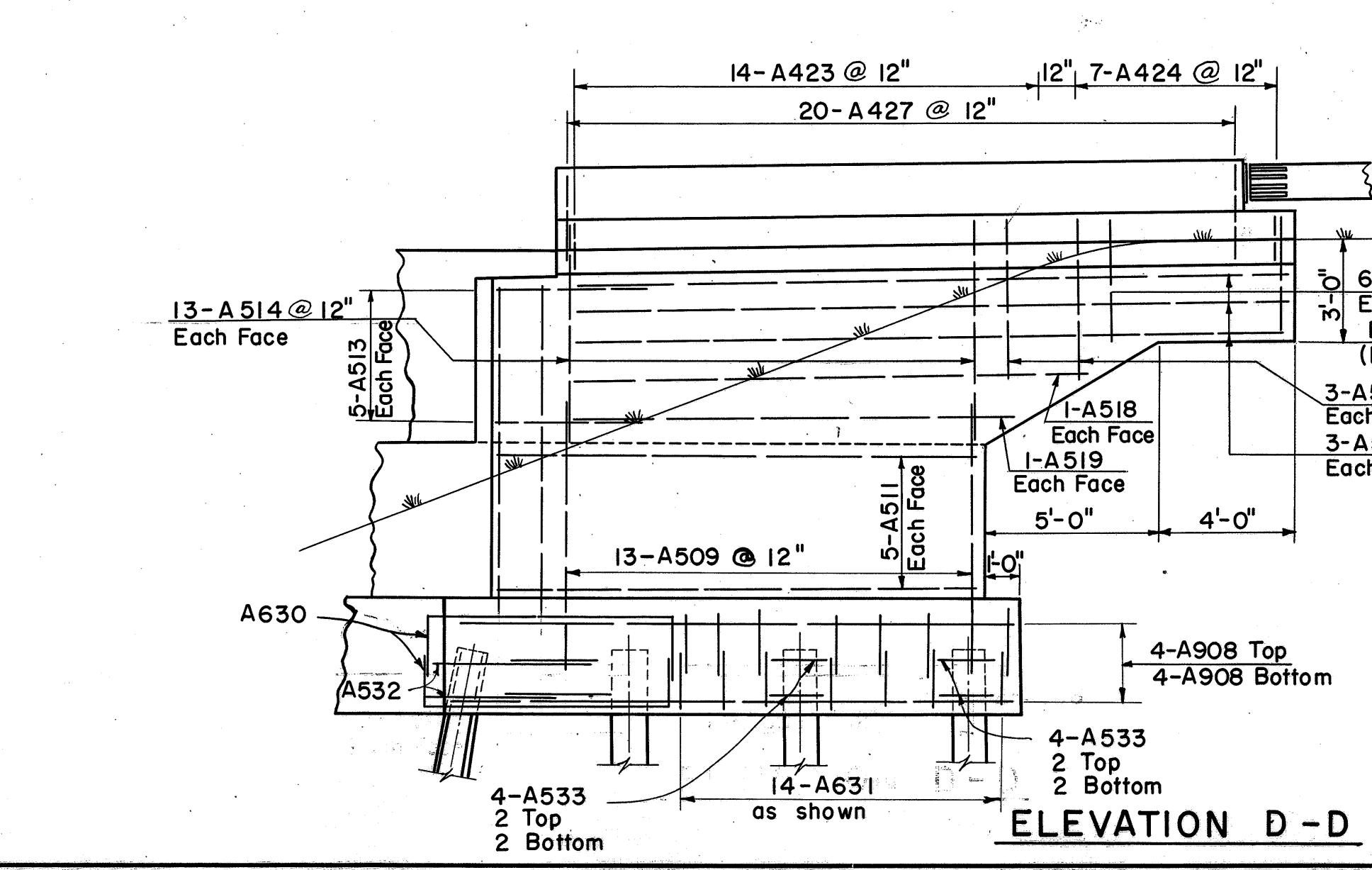
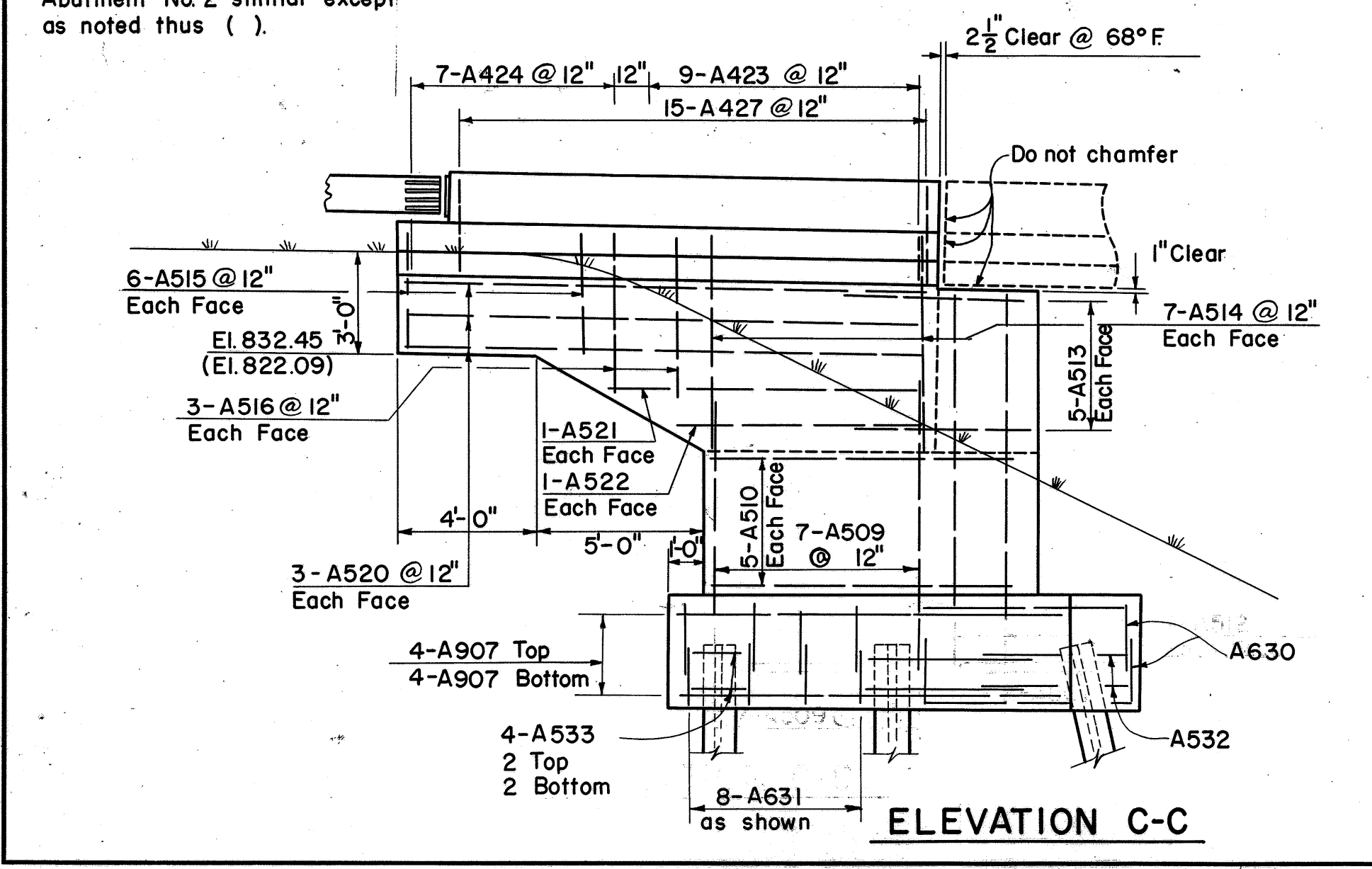


ABUTMENT BAR LIST

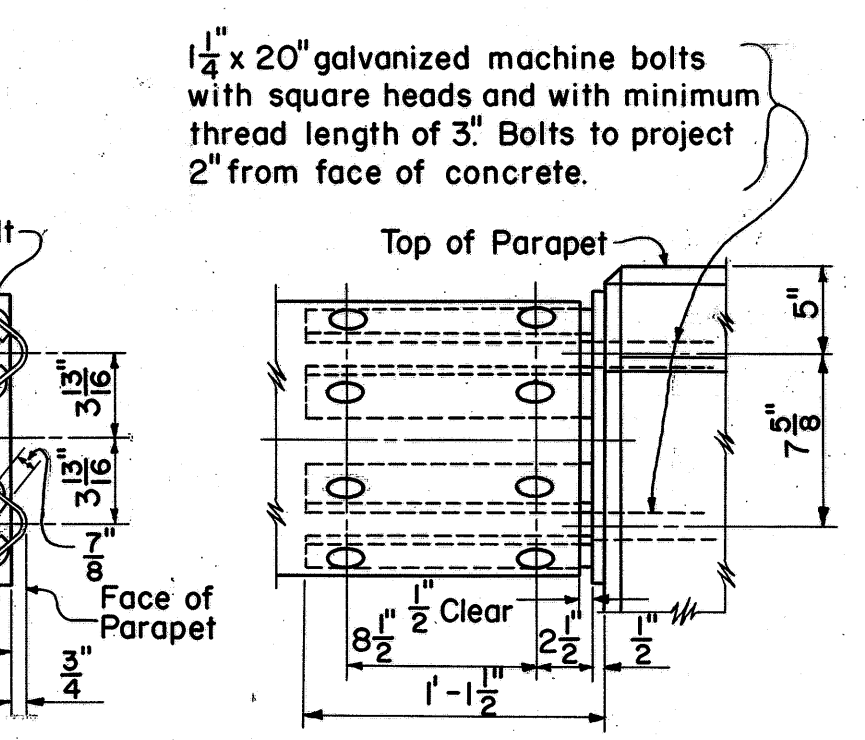
MARK	NO. REQ'D. PER ABUT.			SIZE	LENGTH	TYPE	WEIGHT
	NO. 1	NO. 2	TOTAL				
A501	39	39	78	5	7'-0"	BENT	569
A902	16	16	32	9	23'-7"	STR.	2567
A503	40	40	80	5	6'-0"	STR.	501
A504	20	20	40	5	6'-7"	BENT	274
A505	44	44	88	5	22'-9"	STR.	2080
A606	39	39	78	6	16'-6"	BENT	1340
A907	8	8	16	9	12'-0"	STR.	653
A908	8	8	16	9	16'-6"	STR.	898
A509	20	20	40	5	19'-4"	BENT	813
A510	10	10	20	5	8'-6"	STR.	187
A511	10	10	20	5	14'-0"	STR.	292
A512	8	8	16	5	10'-10"	STR.	180
A513	20	20	40	5	4'-6"	STR.	187
A514	40	40	80	5	5'-9"	STR.	498
A515	24	24	48	5	3'-6"	STR.	175
A516	12	12	24	5	4'-6"	STR.	119
A517	6	6	12	5	21'-0"	STR.	262
A518	2	2	4	5	15'-0"	STR.	62
A519	2	2	4	5	13'-0"	STR.	54
A520	6	6	12	5	15'-2"	STR.	189
A521	2	2	4	5	9'-0"	STR.	37
A522	2	2	4	5	7'-0"	STR.	29
A423	23	23	46	4	5'-10"	BENT	179
A424	14	14	28	4	3'-10"	BENT	72
A425	8	8	16	4	21'-0"	STR.	224
A426	8	8	16	4	15'-2"	STR.	152
A427	35	35	70	4	5'-6"	BENT	257
R428	4	4	8	4	19'-5"	STR.	104
R429	4	4	8	4	13'-8"	STR.	73
A630	60	60	120	6	10'-8"	BENT	1945
A631	22	22	44	6	8'-2"	BENT	540
A532	40	40	80	5	9'-3"	BENT	772
A533	12	12	24	5	6'-11"	BENT	172
TOTAL WEIGHT = 16279							



NOTE: Dimensions and Elevations shown are for Abutment No. 1. Abutment No. 2 similar except as noted thus ().



**ABUTMENT NO. 1 ABUTMENT NO. 2
ABUTMENT BACKWALL SLOPE**



NOTES

PROCEDURE: At Abutment No. 1, the embankment shall be placed and compacted up to the finished spill-through slope and to the level of the subgrade for a distance of 100 feet back of the abutment, after which excavation shall be made for the abutment.

EXCAVATION QUANTITY at Abutment No. 1 includes the removal of fill material required for construction of the abutment.

POROUS BACKFILL, 2 feet thick full length of the abutment shall extend up to the underside of the approach slab and outward to the wings. Excavation therefore, in excess of that required for the abutment shall be considered as included in the bid price per cu. yd. for porous backfill.

SEC. C-33 FED. AID PROJ. NO. ACI-1103(27)

PREPARED BY
CAPITOL ENGINEERING ASSOCIATES, DILLSBURG, PA.
FOR

STATE OF OHIO
DEPARTMENT OF HIGHWAYS
DIVISION OF DESIGN AND CONSTRUCTION
BUREAU OF BRIDGES

ABUTMENT DETAILS
BRIDGE NO. LAK-1-1822
S.R.I. UNDER VROOMAN ROAD
LAKE COUNTY
STA. 608 + 77.78

DESIGNED	DRAWN	TRACED	CHECKED	REVISED	DATE	REVISED
HK	BJ		MN			