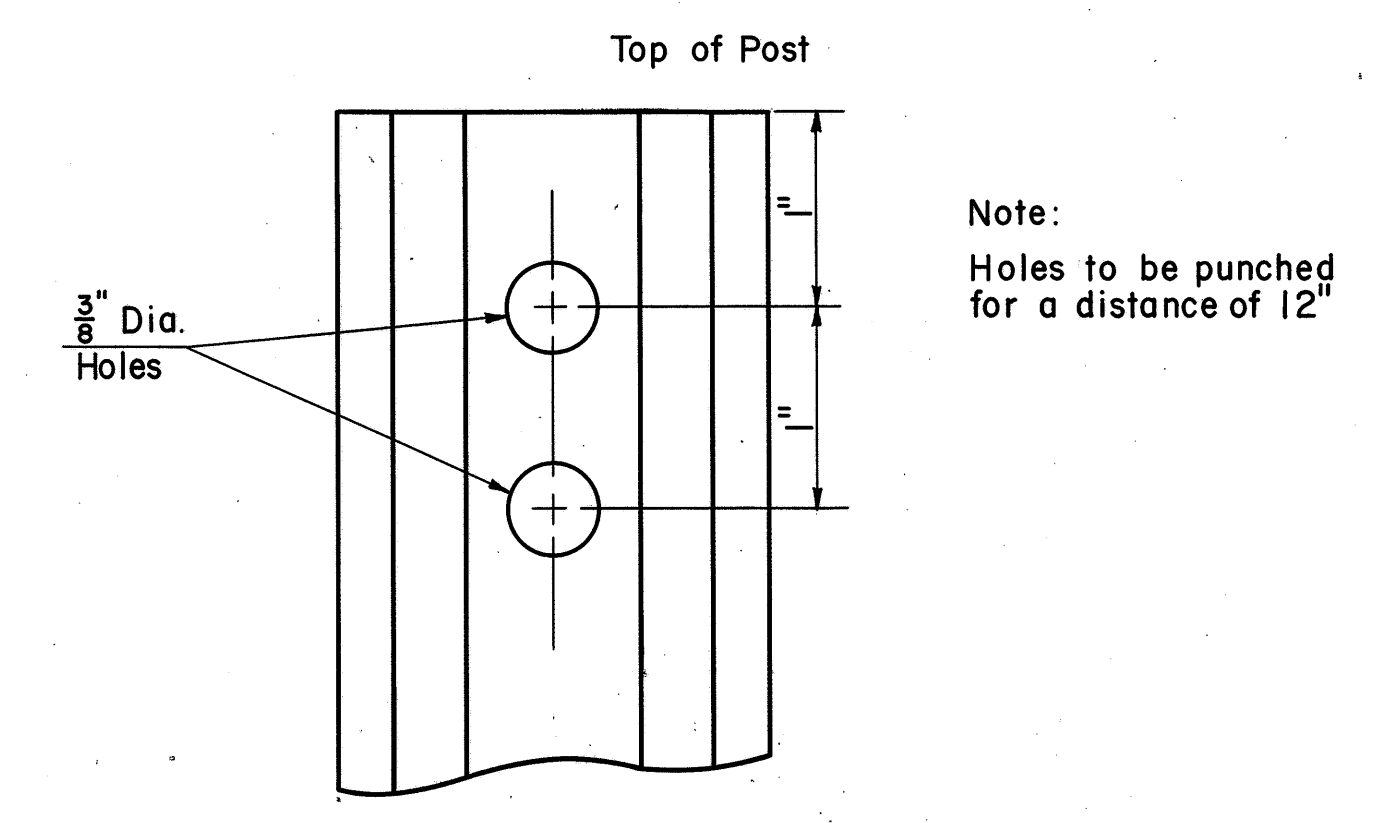
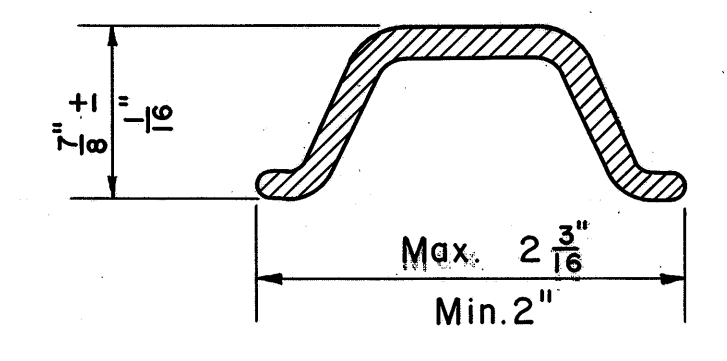


Note:  
Monuments to be placed  
by Contractor.

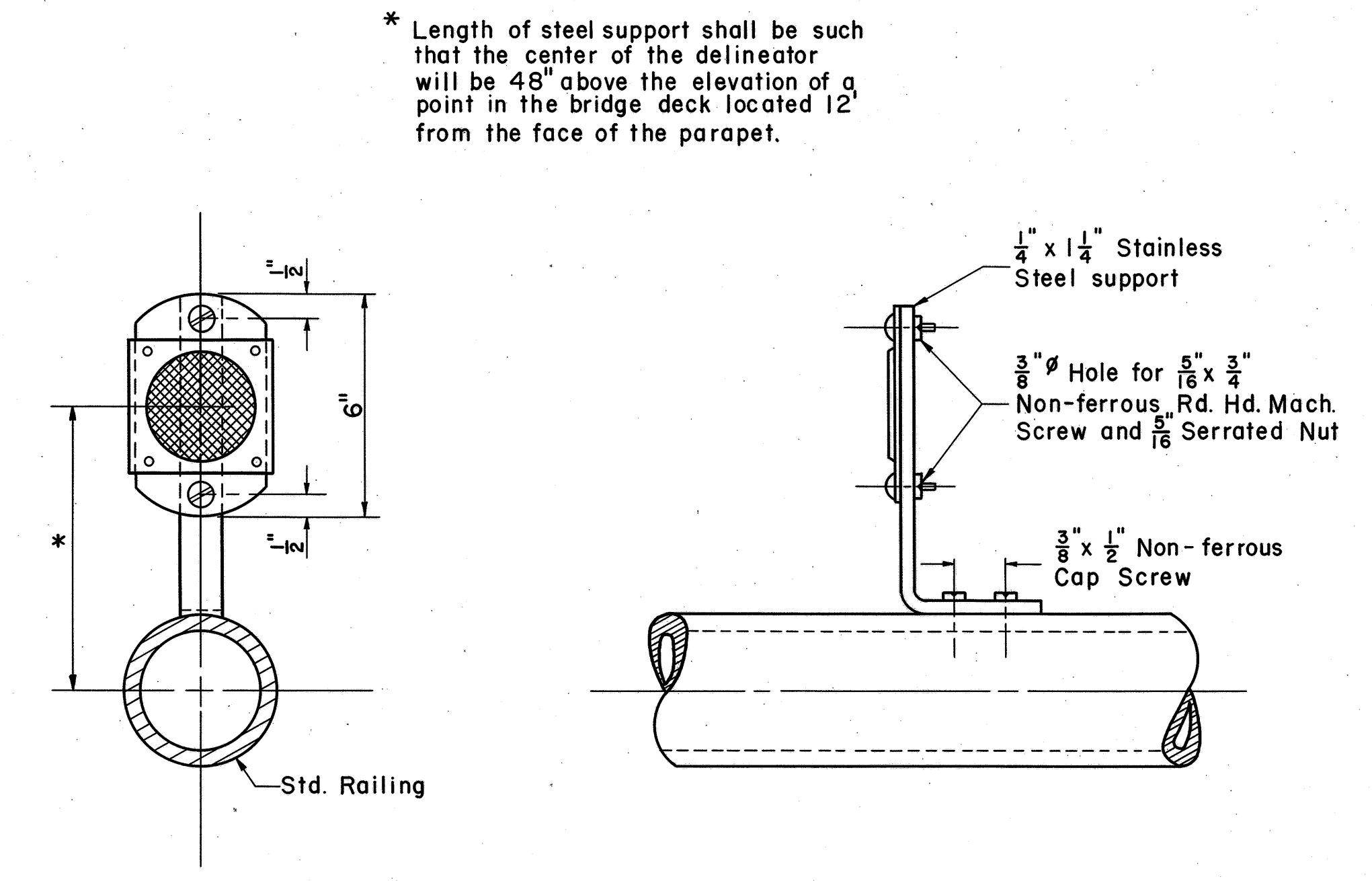
DETAIL OF CENTERLINE REFERENCE MONUMENTS



Length of Post ..... 7'-6" ± 1/4"  
No. Holes ..... 12 per Post  
Weight ..... 1.12 lbs. per foot



DETAIL OF STEEL DRIVE POST FOR DELINEATOR



DELINEATOR AND BRIDGE RAIL BRACKET