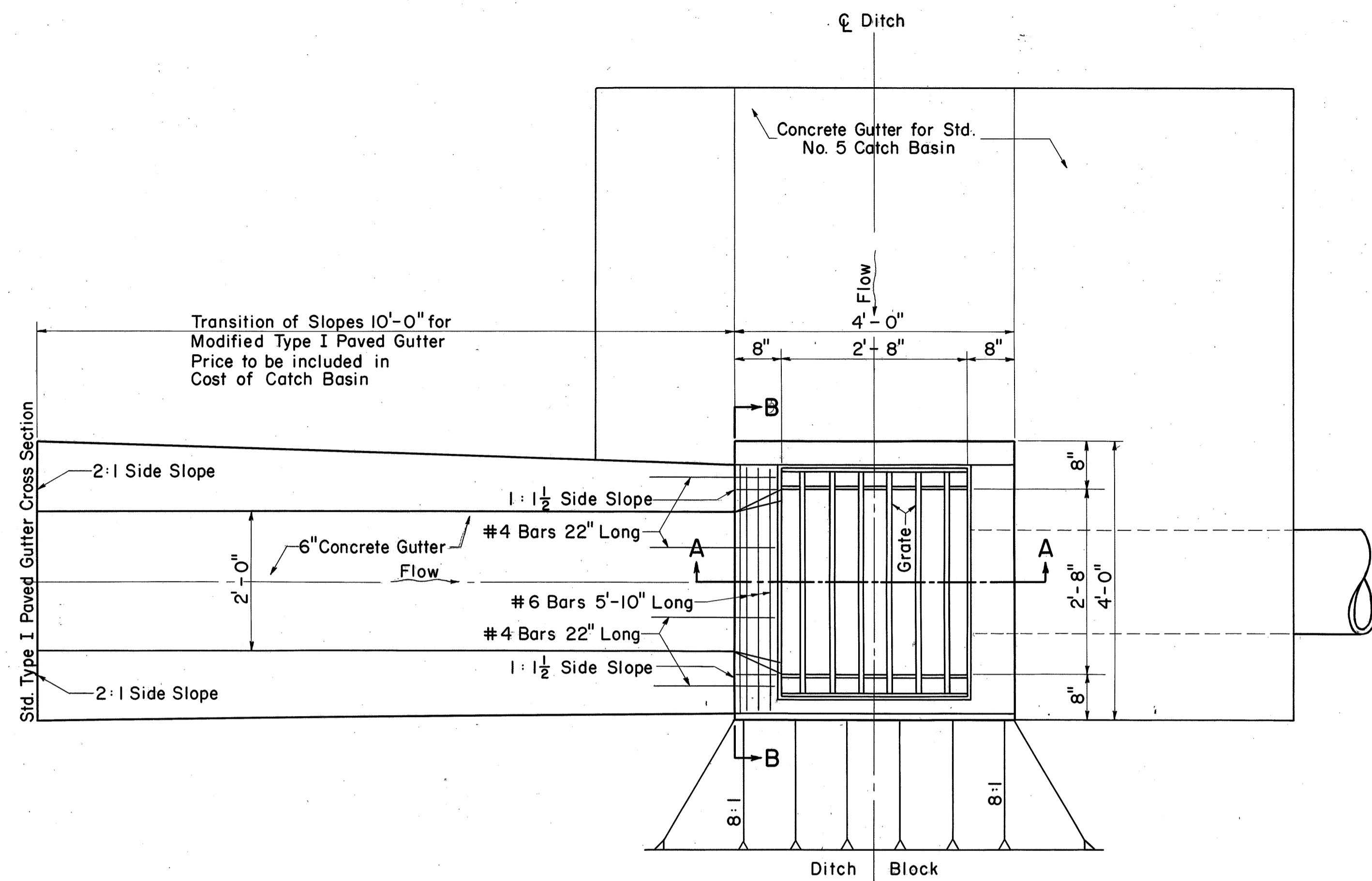
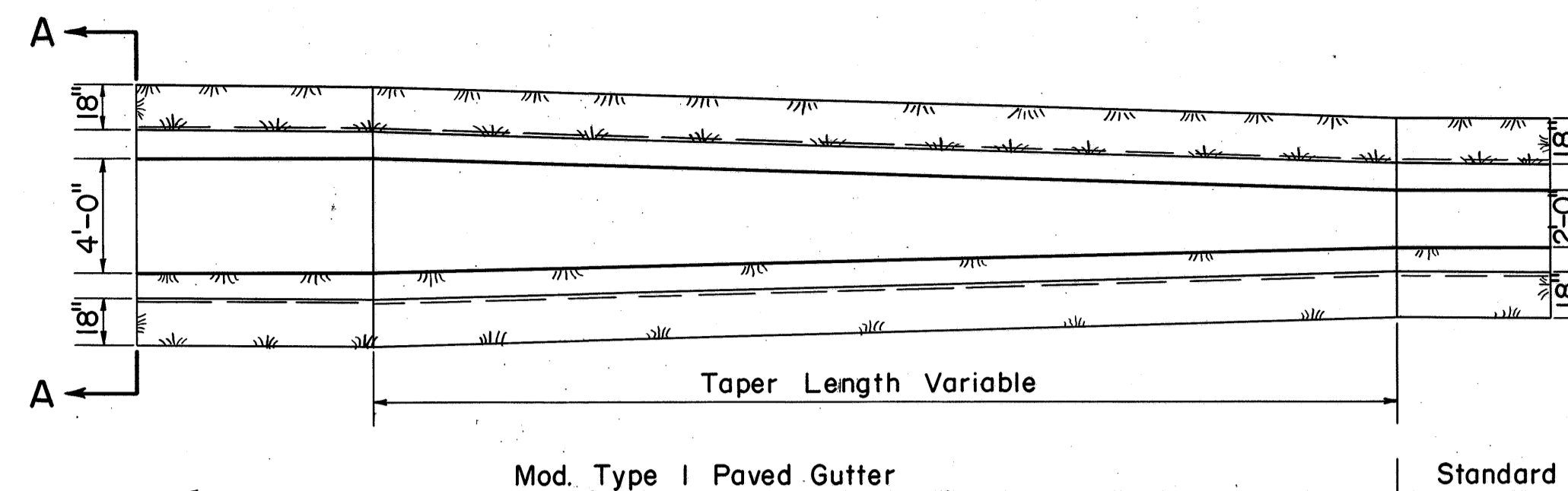


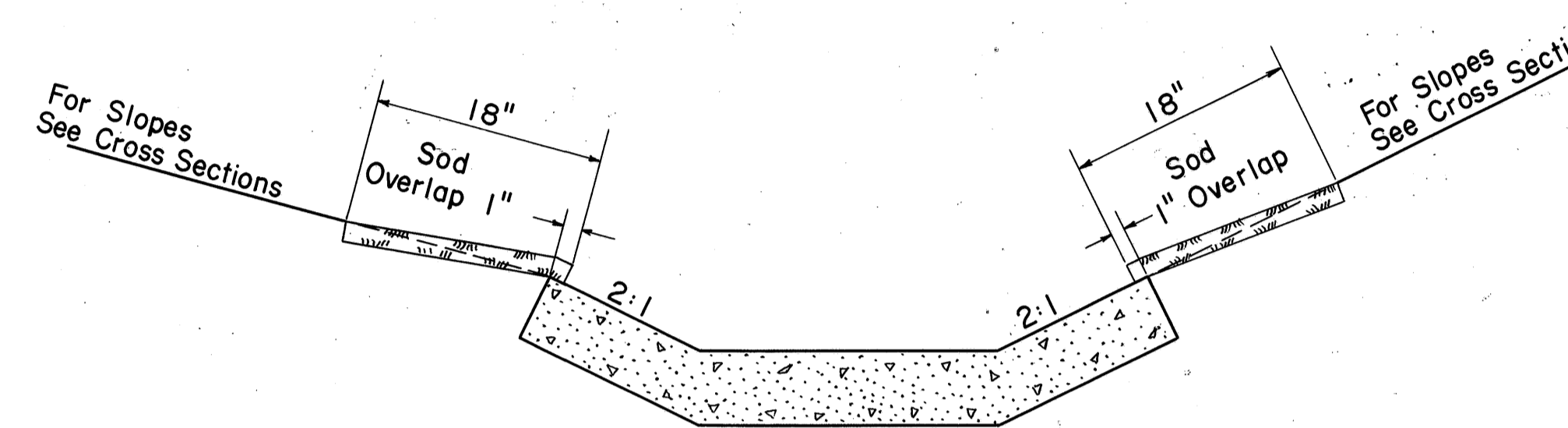
LAKE COUNTY
LAK-1-16.55



PLAN
SCALE: $\frac{3}{4}$ " = 1'-0"

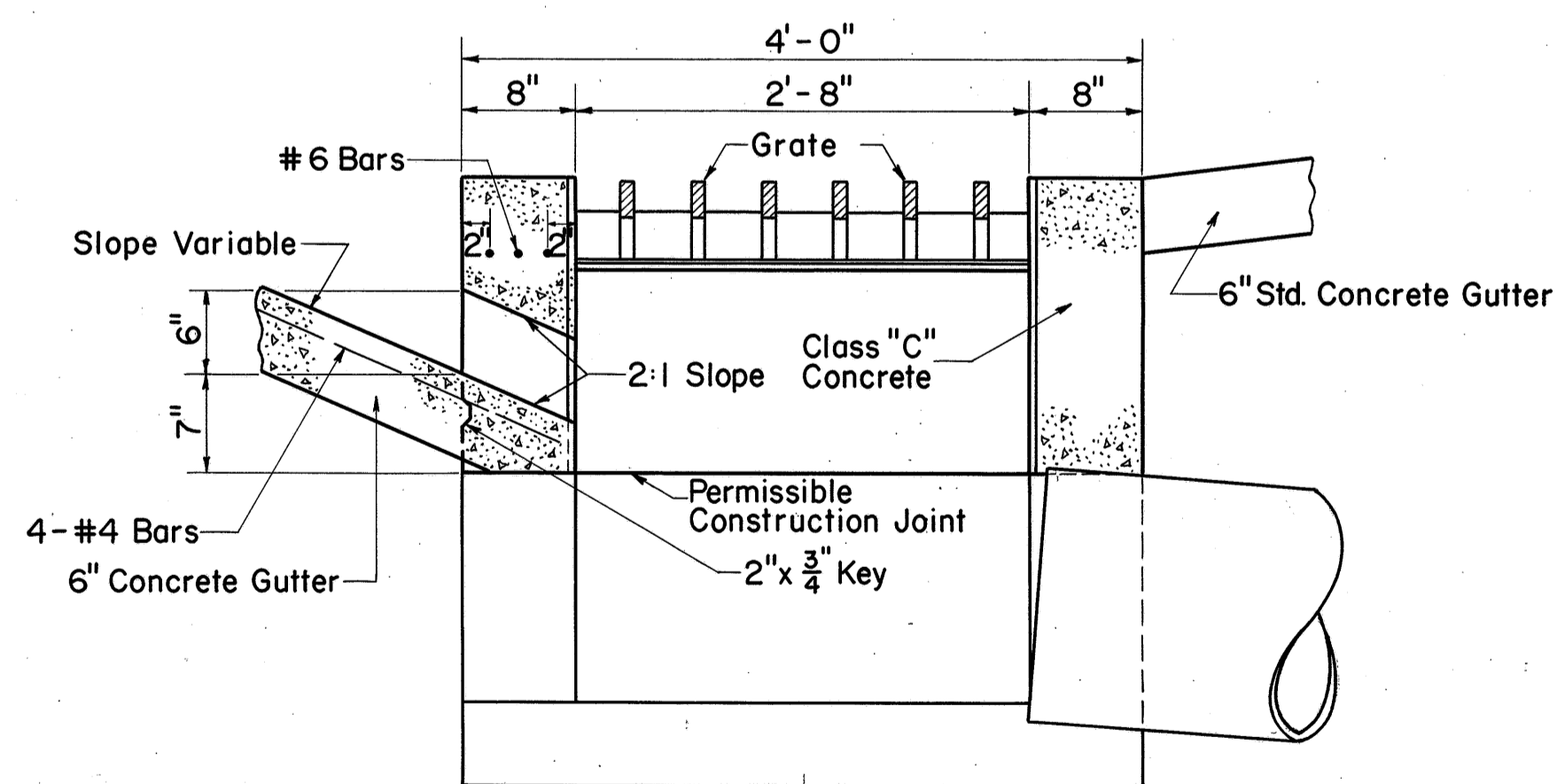


Standard
Type I Paved Gutter
See Standard Constr. Drawing I-14 G

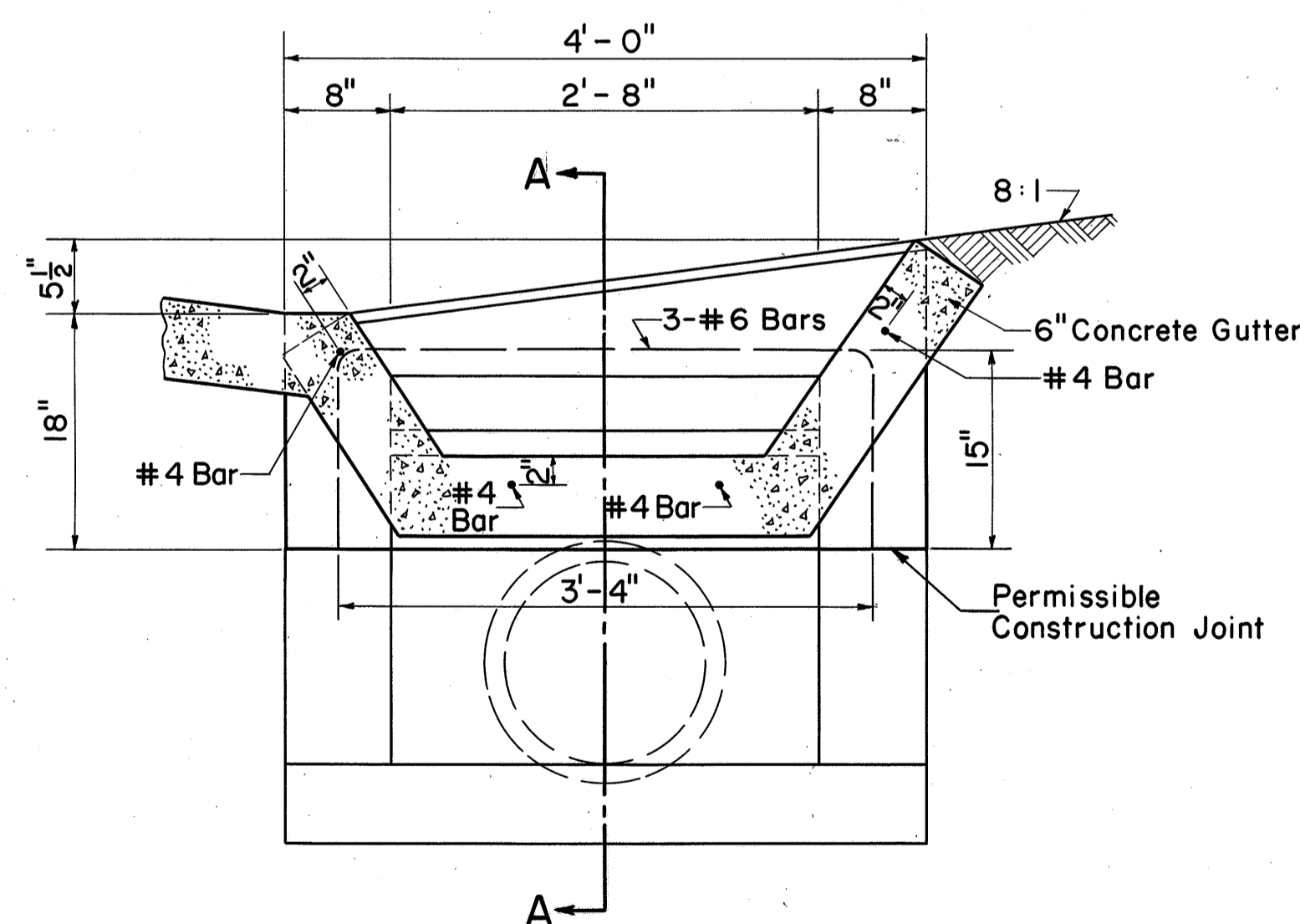


DETAIL OF 18" SOD STRIP
ALONG PAVED GUTTER

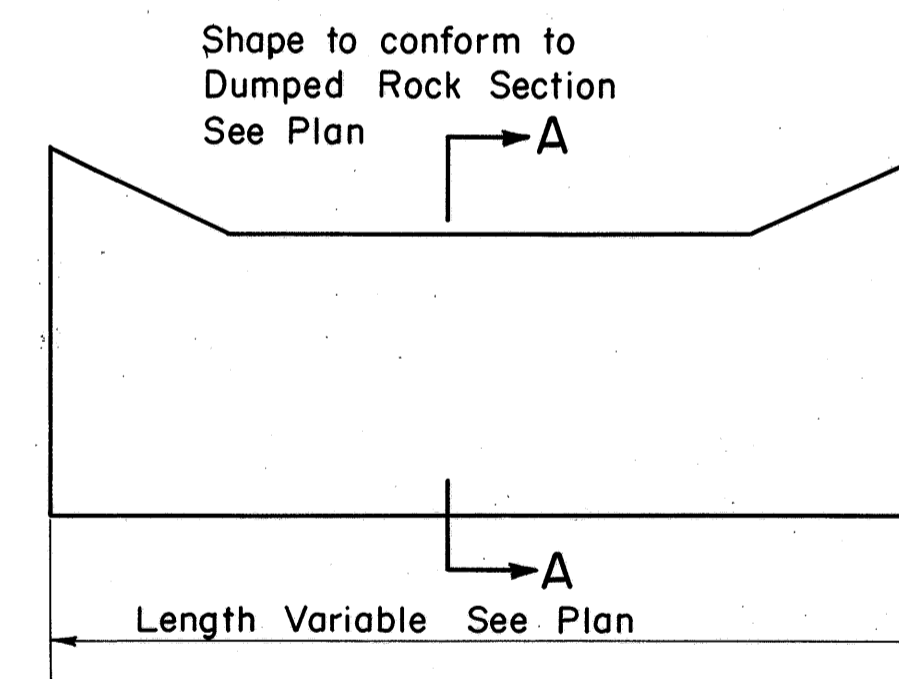
NOTE:
Unless otherwise shown, Details and Notes
shall conform to STANDARD DRAWING
NO. I-8 C.B. No. 5.



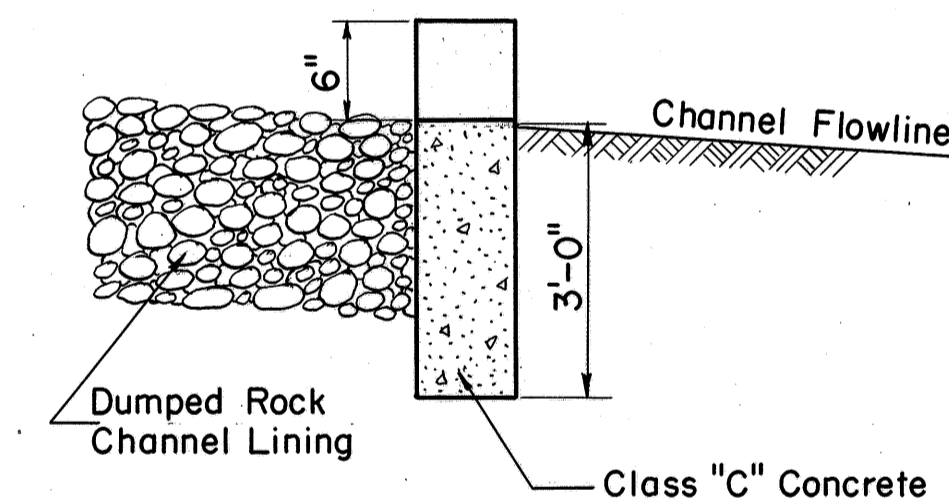
SECTION A-A
SCALE: 1" = 1'-0"



SECTION B-B
SCALE: 1" = 1'-0"



DETAIL CONCRETE END SILL
NOT TO SCALE



SECTION A-A

MODIFIED STANDARD NO. 5 CATCH BASIN
WITH MODIFIED TYPE I PAVED GUTTER

DRAINAGE DETAILS