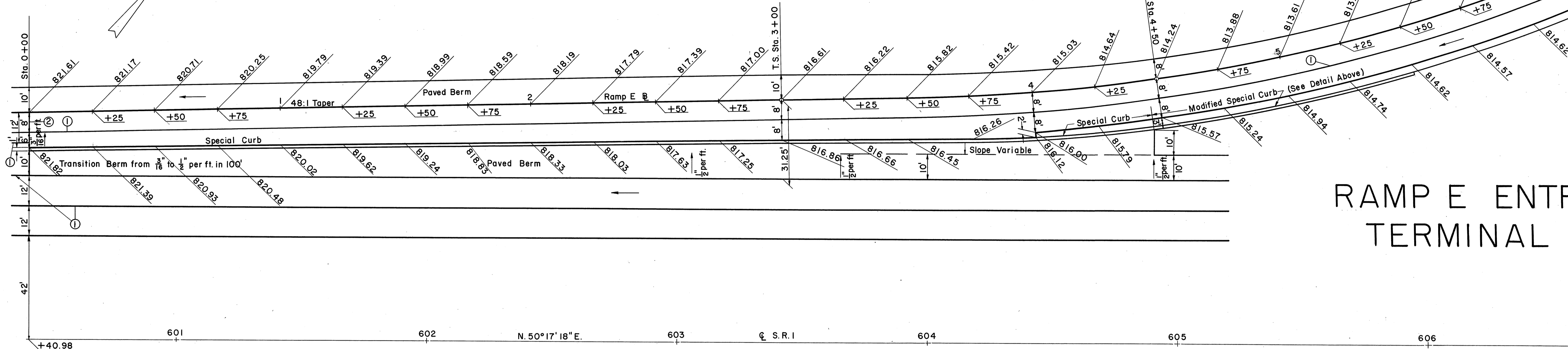
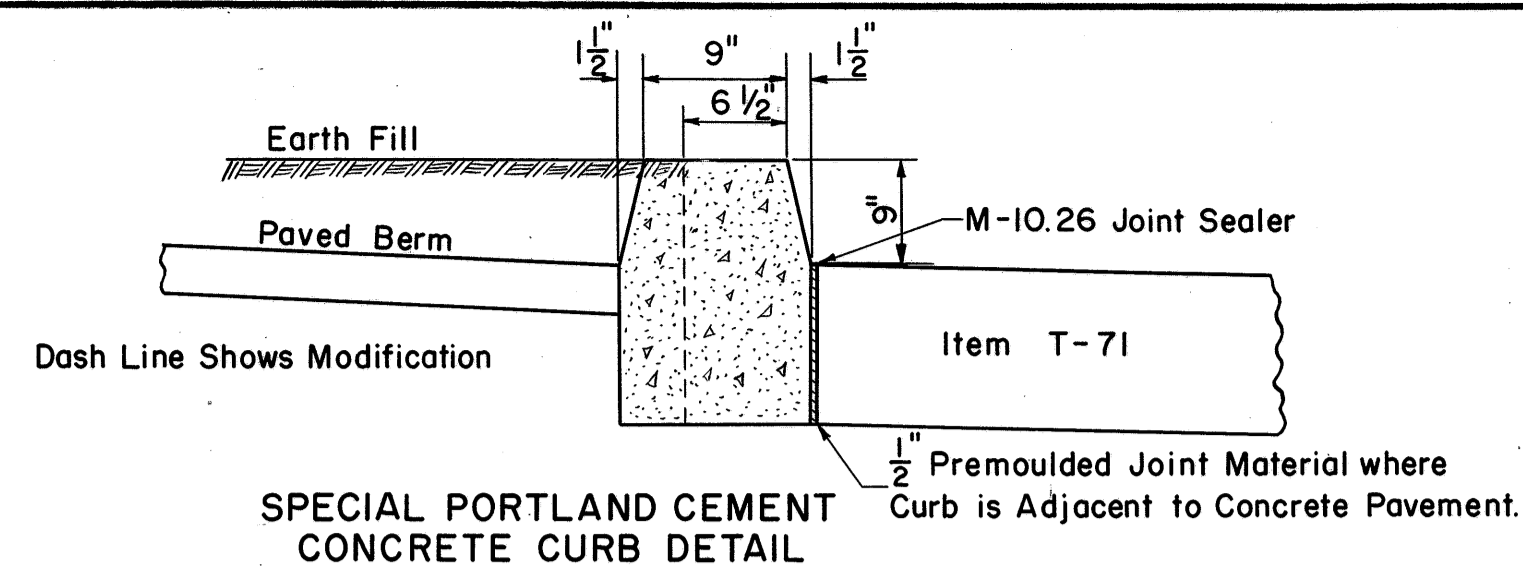


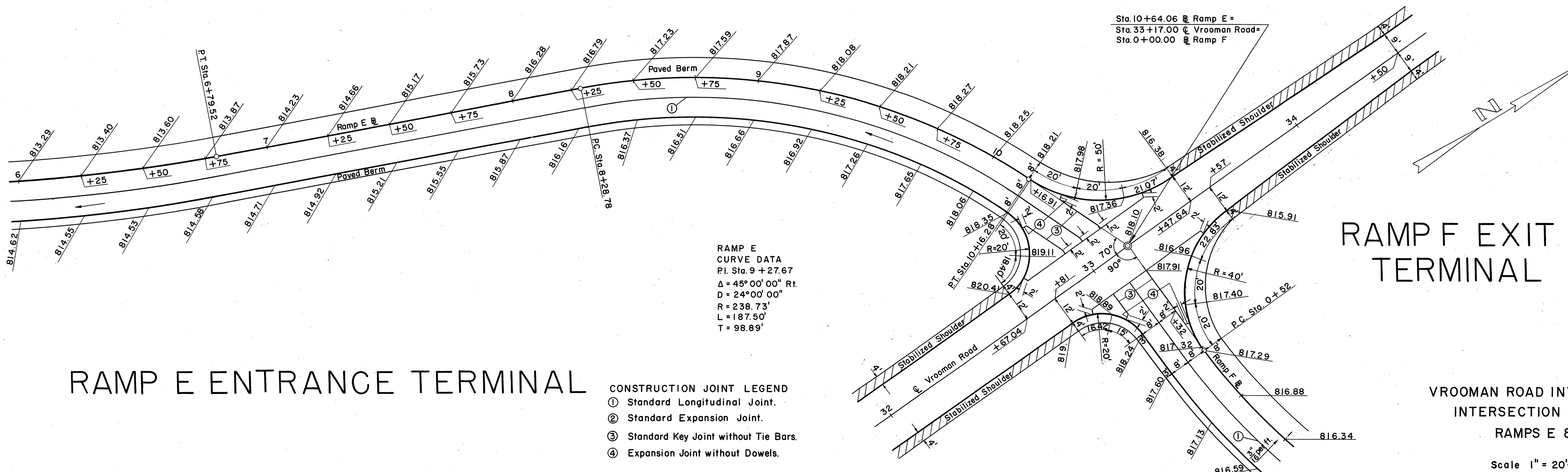
LAKE COUNTY
LAK-1-16.55

RAMP E
SPIRAL DATA
P.I. Sta. 4+00.07
 $\theta_s = 6^\circ 45' 00''$ Lt.
L.T. = 100.07'
S.T. = 50.07'
 $L_s = 150.00'$

RAMP E
CURVE DATA
P.I. Sta. 5+66.02
 $\Delta = 20^\circ 39' 23.44''$ Lt.
 $D = 9^\circ 00' 00''$
 $R = 636.62'$
 $L = 229.52'$
 $T = 116.02'$



RAMP E ENTRANCE TERMINAL



RAMP E ENTRANCE TERMINAL

RAMP F EXIT TERMINAL

- CONSTRUCTION JOINT LEGEND
- ① Standard Longitudinal Joint.
 - ② Standard Expansion Joint.
 - ③ Standard Key Joint without Tie Bars.
 - ④ Expansion Joint without Dowels.

VROOMAN ROAD INTERCHANGE
INTERSECTION DETAILS-
RAMPS E & F

Scale 1" = 20'-0"