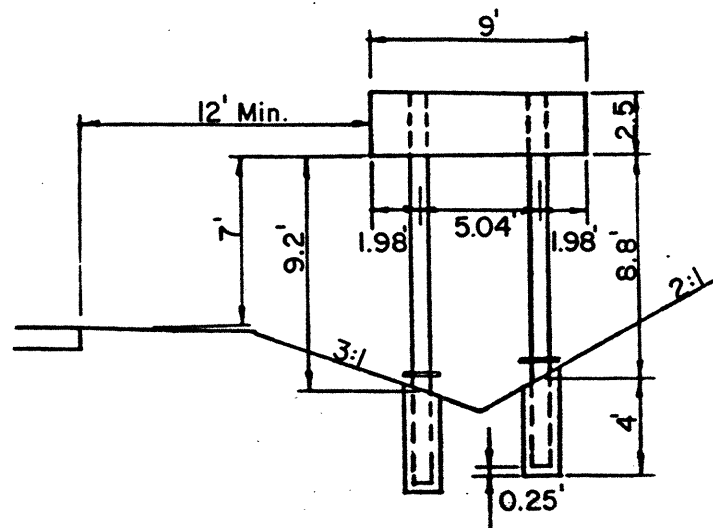


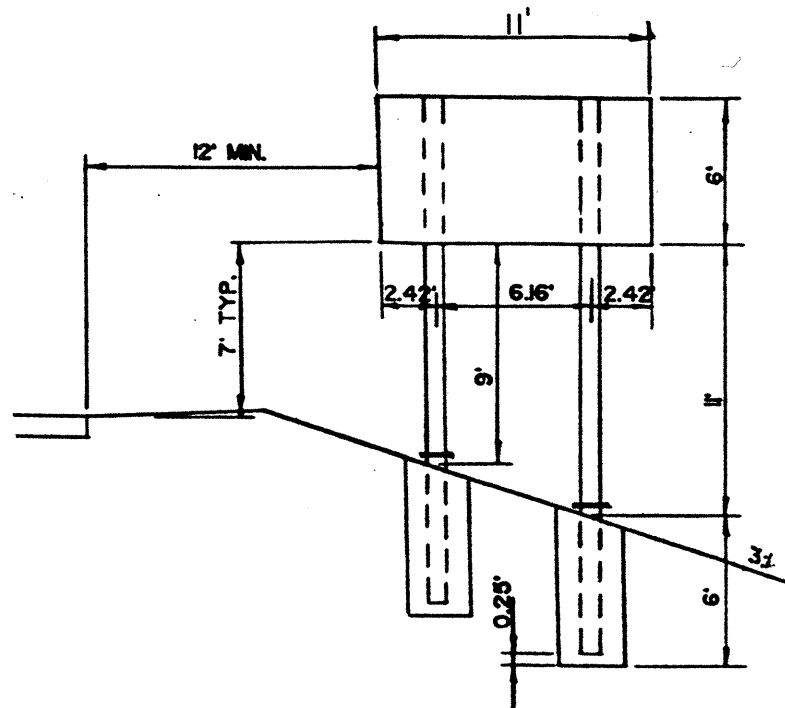
SIGN ELEVATION VIEW

LAKE COUNTY
LAK-90-13.00

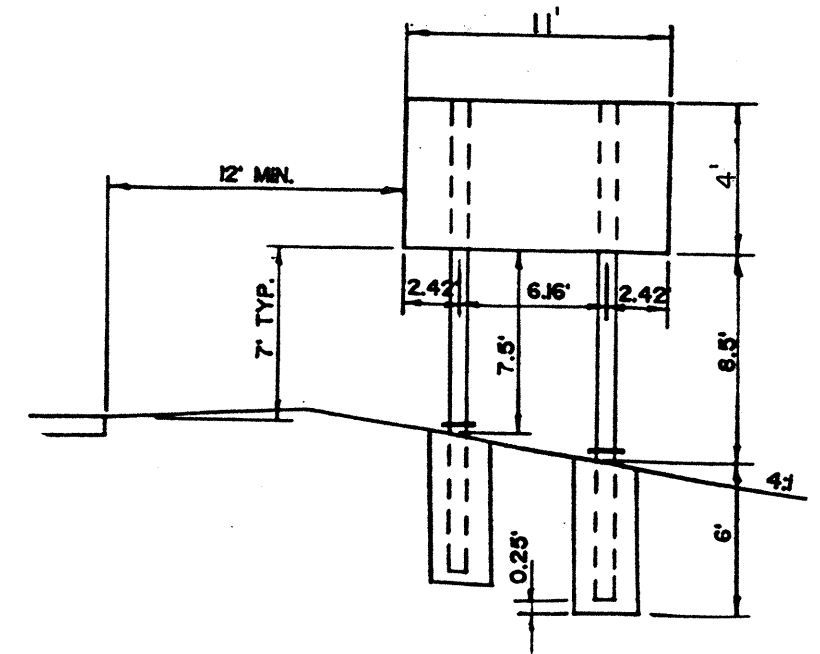
116
120



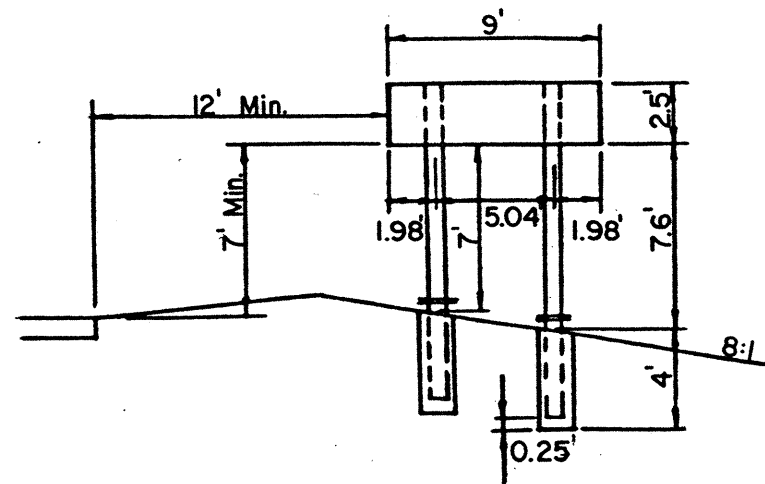
SIGN NO. 208
STA. 20+30
VROOMAN RD.



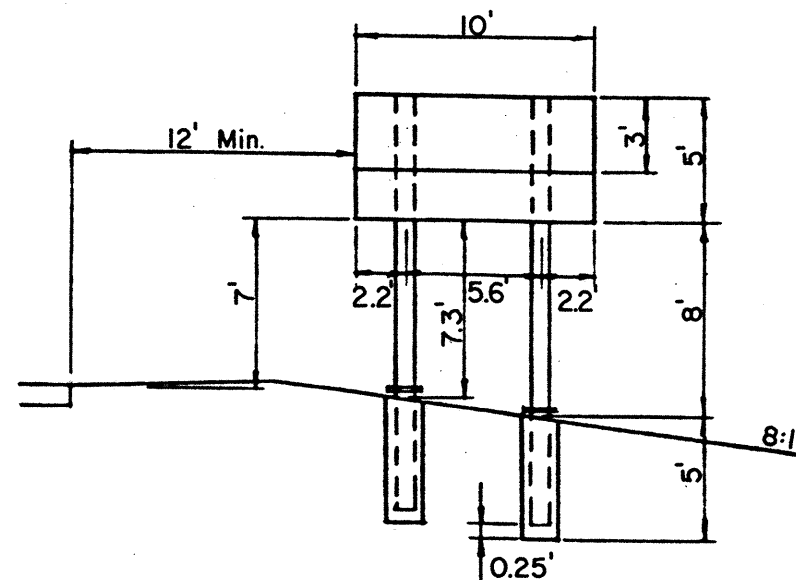
SIGN NO. 209
STA. 24+10
VROOMAN RD.



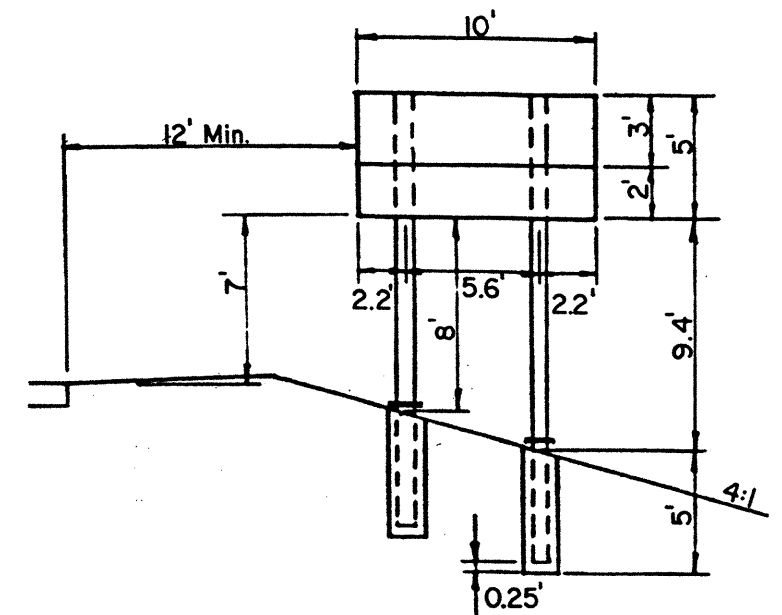
SIGN NO. 221
STA. 35+00
VROOMAN RD.



SIGN NO. 223
STA. 39+70
VROOMAN RD.



SIGN NO. 236
STA. 2+80
RAMP F



SIGN NO. 243
STA. 9+00
RAMP H

SIGN ELEVATION VIEW