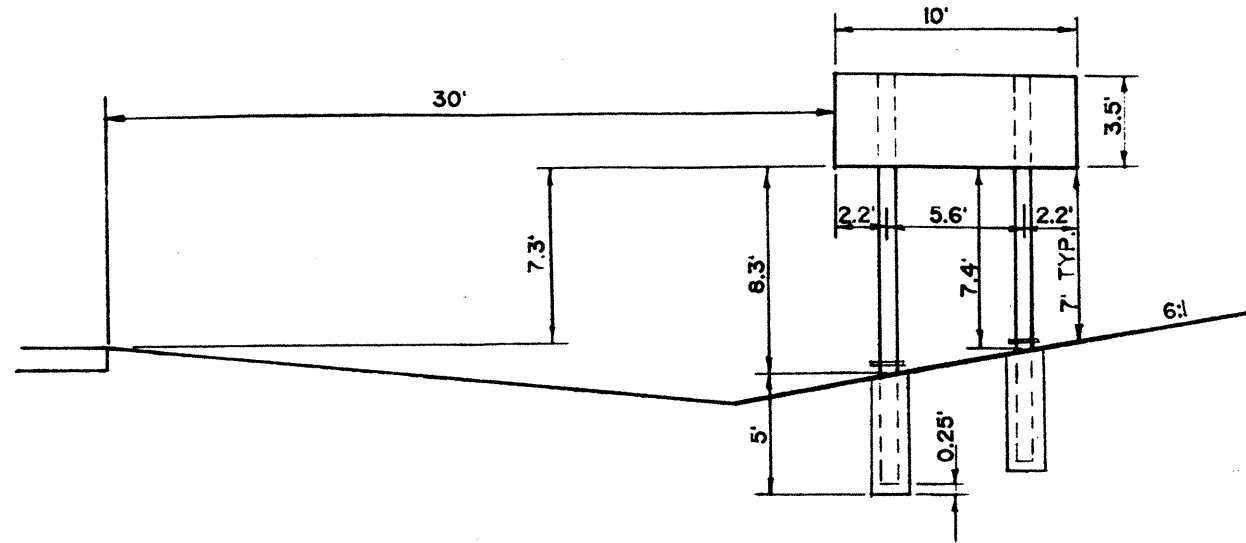
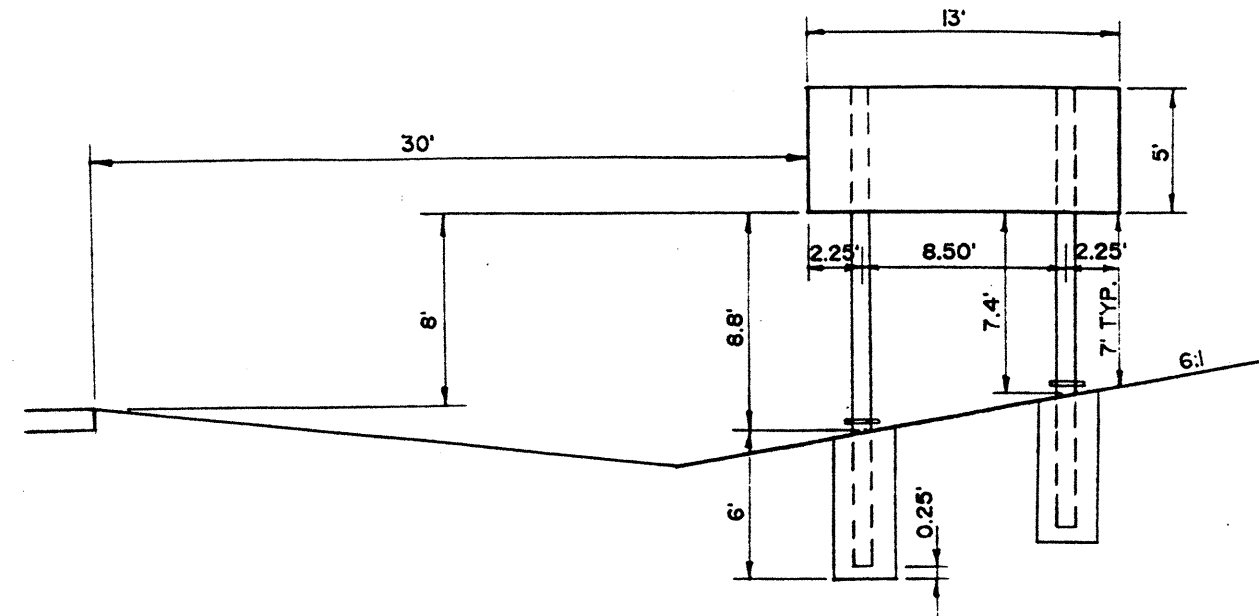


SIGN ELEVATION VIEW

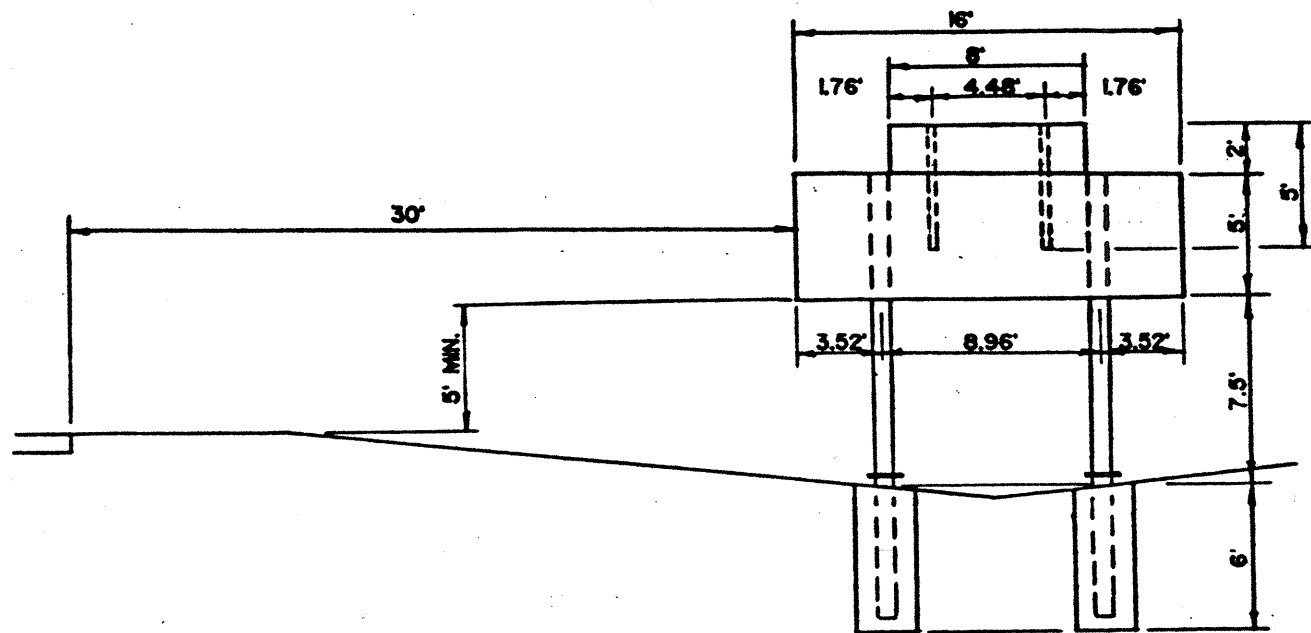
LAKE COUNTY
LAK-90-13.00



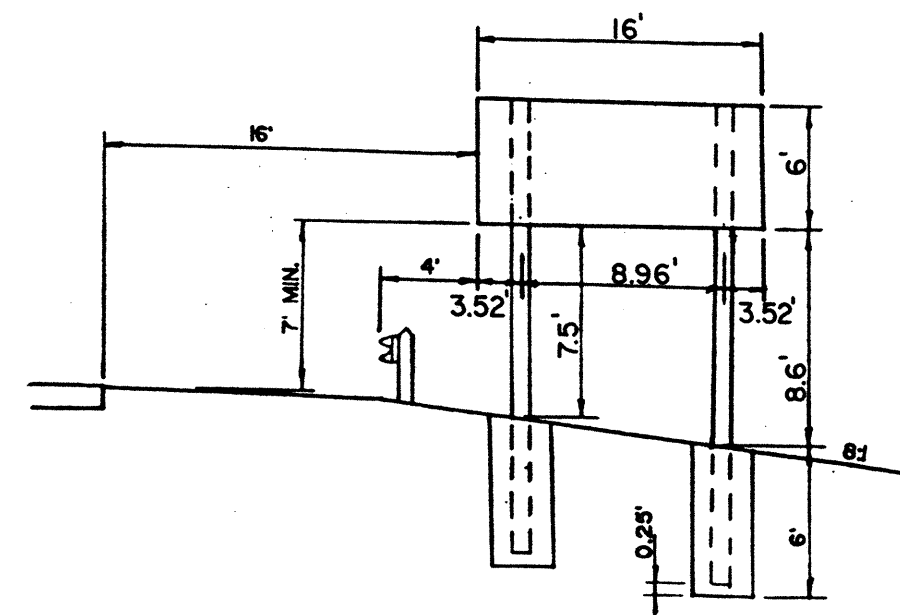
SIGN NO. 75
STA. 557+98



SIGN NO. 76
STA. 562+95



SIGN NO. 86
STA. 587+91



SIGN NO. 94
STA. 629+65