

604 - STANDARD NO. 5 CATCH BASIN
STA. 0+30, 125' L
T.C.B. 776.00
INV. 15" 773.00

EARTH DIKE SHALL BE CONSTRUCTED ACCORDING TO SECTIONS B-B, C-C, & D-D. COST TO BE INCLUDED UNDER ITEM 604 - STANDARD NO. 5 CATCH BASIN.

604 - NO. 3 MANHOLE
STA. 0+16, 75' L
T.M.H. 775.58
INV. 15" 771.44
INV. 30" (EXISTING) 768.00
INV. 30" 762.00

603 - 15" CONDUIT, TYPE C: 52 LIN. FT.

(A) FROM: STA. 0+30, 125' L, ELV. 773.00
TO : STA. 0+16, 75' L, ELV. 771.44
SLOPE = 3%

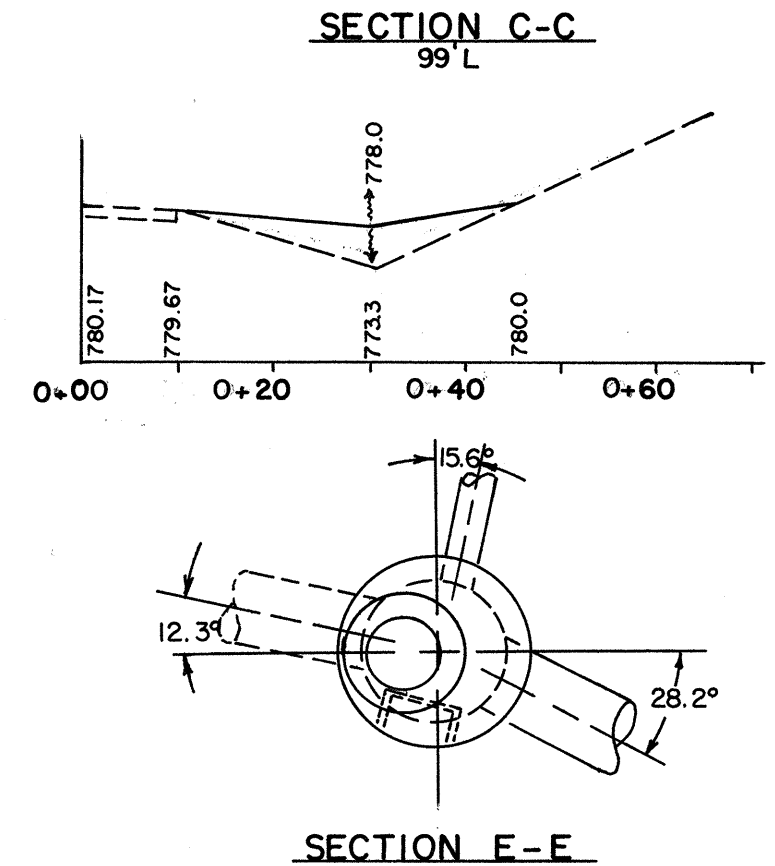
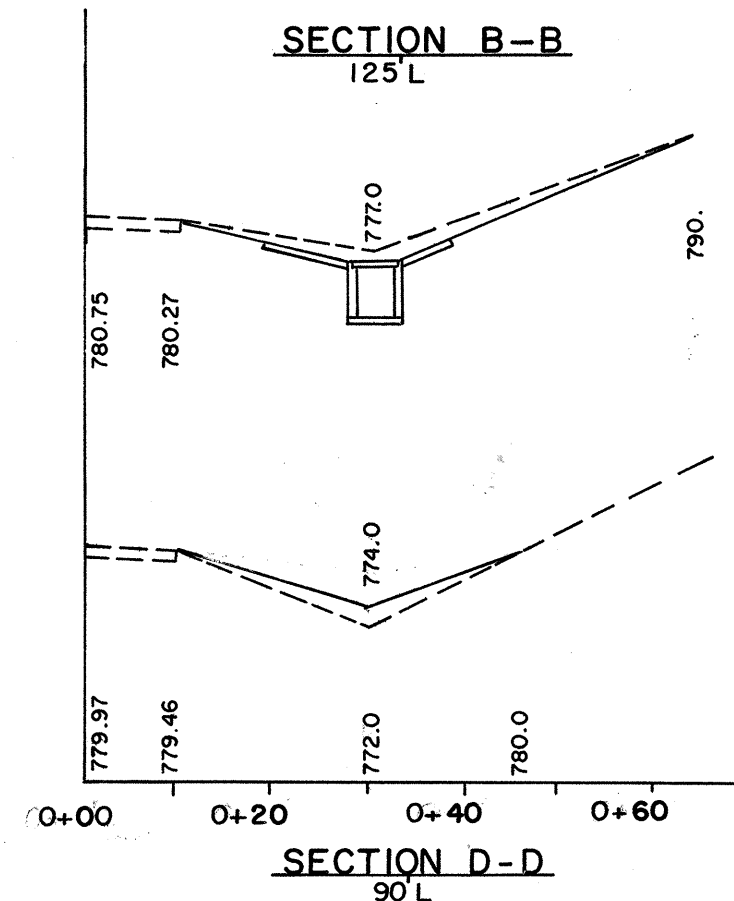
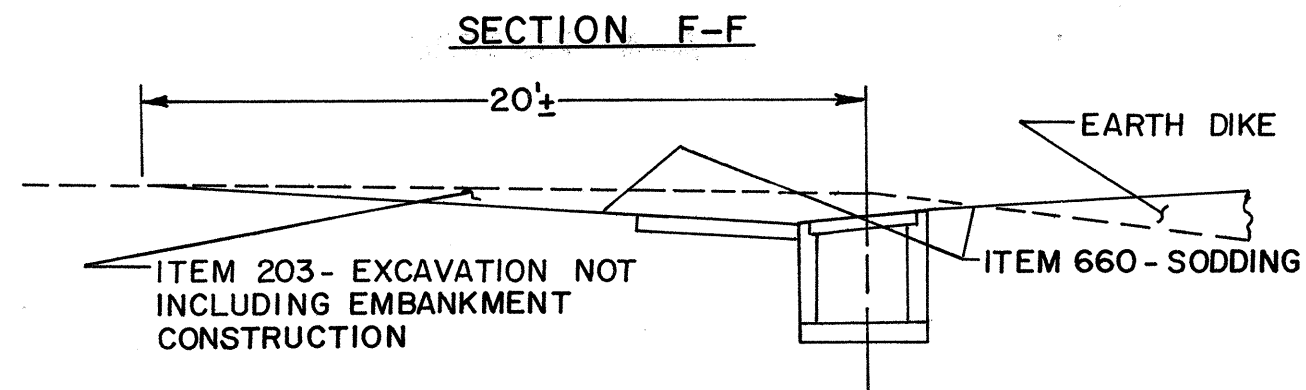
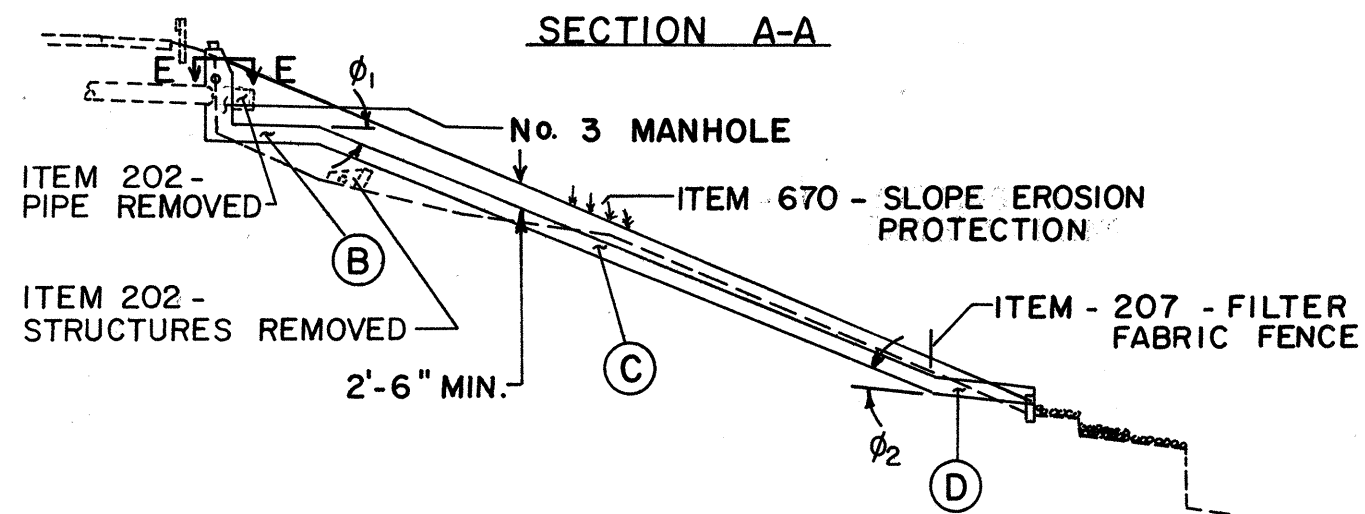
603 - 30" CONDUIT, TYPE F, 707.01: 136 LIN. FT.

(B) FROM: STA. 0+16, 75' L, ELV. 762.00
TO : STA. 0+30, 67.5' L, ELV. 761.68
L = 16', SLOPE = 2%

(C) FROM: STA. 0+30, 67.5' L, ELV. 761.68
TO : STA. 1+15, 22' L, ELV. 723.00
L = 104', SLOPE = 37%

(D) FROM: STA. 1+15, 22' L, ELV. 723.00
TO : STA. 1+29, 14.5' L, ELV. 721.00
L = 16', SLOPE = 12.5%

$\phi_1 = 19^\circ$ $\phi_2 = 16^\circ$



DRAINAGE