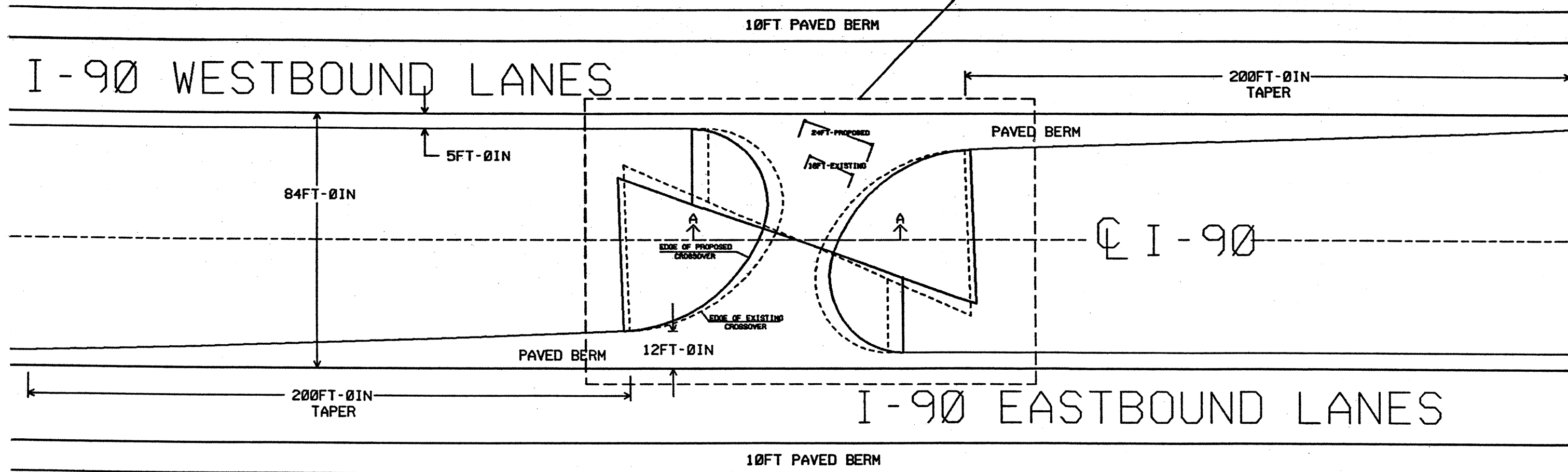


# CROSSOVER DETAILS

LAKE COUNTY  
LAK-90-13.00

63  
120

SEE DETAIL ON  
SHEET NO. 64



## TYPICAL CROSSOVER WIDENING

SCALE IN INCHES 0 100 FT

STA. 401+24.5

STA. 586+52

STA. 644+35