

MICROFILMED
DEC 10 1987

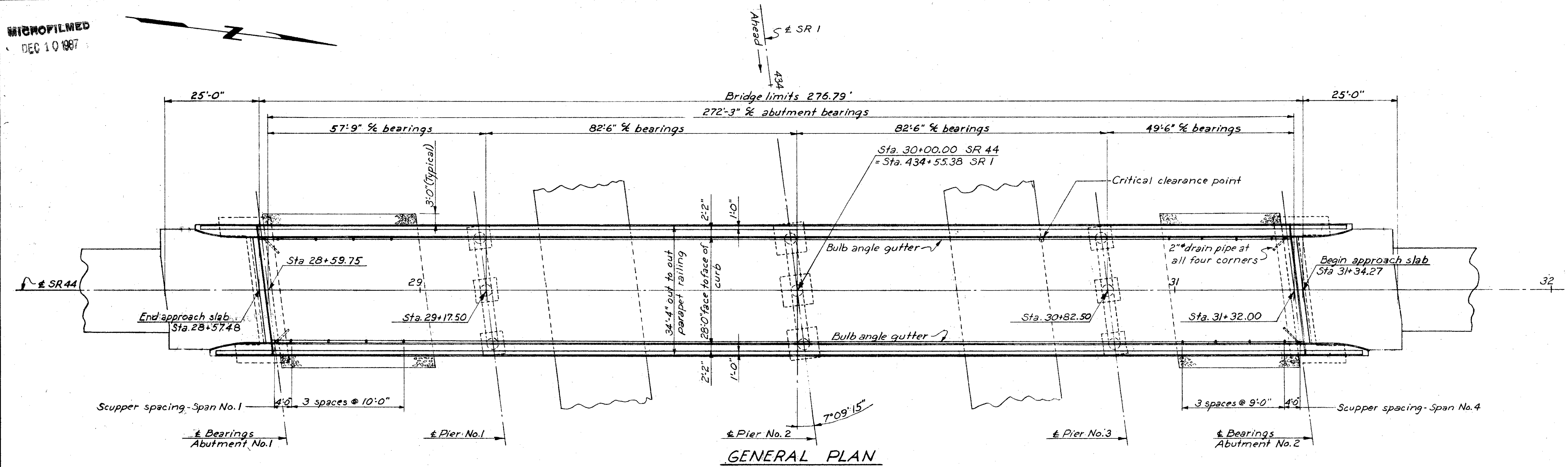
FED. RD. DIVISION	STATE	PROJECT
2	OHIO	ACI-1103(21)

441
488

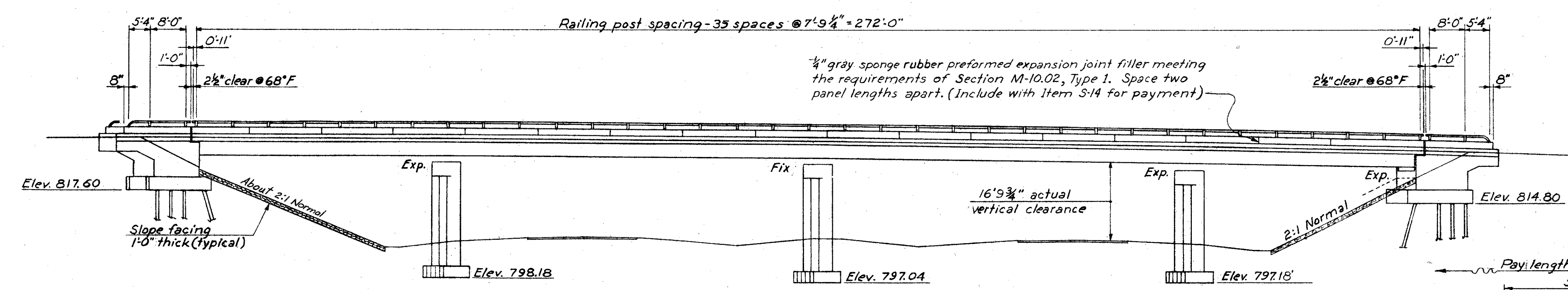
LAKE COUNTY
SEC. LAK-1-12.89

GENERAL NOTES

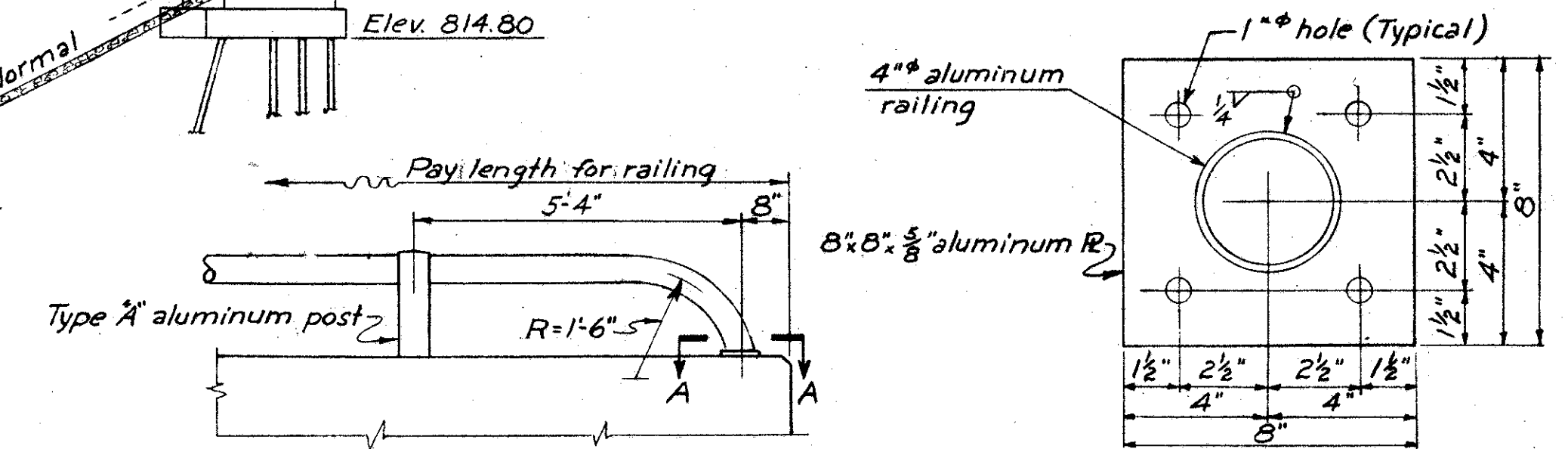
- **DESIGN SPECIFICATIONS:** This structure conforms to the requirements of "Design Specifications for Highway Structures" of the State of Ohio, Department of Highways, dated 9-1-57, together with revisions thereof dated 2-21-58.
- **REFERENCE** shall be made to Standard Drawings RB-1-55, dated 3-1-55, CSB-2-56, sheets 2 and 3 of 6, revised 3-1-58, AR-1-57, revised 3-1-58, and Supplemental Specifications S-114, revised 8-1-57.
- **BAR SIZE** is indicated in the bar mark. The first digit where three digits are used, and the first two digits where four are used, indicate the bar size number. For example, A700 is a No.7 size bar and A1014 is a No. 10 size.
- **REPLACEMENT BARS:** If reinforcing bars are fabricated from stock which has previously been tested and approved by the Ohio Highway Testing Laboratory, test sample as provided in Section S-402 need not be furnished and replacement bars will not be required.
- **SLOPE FACING** (S-29.05), one foot thick, shall be provided as indicated on the General Plan.



GENERAL PLAN



ELEVATION



END OF RAILING DETAIL

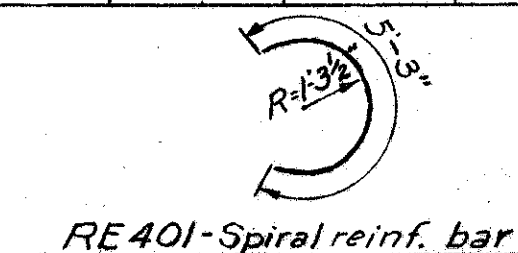
SECTION A-A
(Include with Item S-14 for payment)

+1.568 %
-3.66 %
V.P.I. Station 30+00
Elevation 833.00
L.V.C. 600'
M.O. 3.92'

CURVE DATA

ESTIMATED QUANTITIES							
ITEM	TOTAL	UNIT	DESCRIPTION	SUPERSTR.	ABUTS.	PIERS	GENERAL
E-2	470	Cu.Yds.	Unclassified excavation		323	147	
E-2	Lump	Sum	Cofferdams, Cribs & sheeting				Lump
E-2	35	Cu.Yds.	Shale Excavation			35	
S-1	320	Cu.Yds.	Class "C" concrete, superstructure	320			
S-1	82	Cu.Yds.	Class "C" concrete, pier caps and columns			82	
S-1	91	Cu.Yds.	Class "E" concrete, abutments, above footings		91		
S-1	122	Cu.Yds.	Class "E" concrete, footings		81	41	
S-4	119,729	Lbs.	Reinforcing steel	83,312	11,608	24,809	
S-7	287,686	Lbs.	Structural steel	287,686			
S-8	287,686	Lbs.	Field Painting of Structural Steel	287,686			
S-14	608	Lin. Ft.	Railing (Aluminum rail & supports & concrete parapets)	548	60		
S-16	Lump	Sum	First test pile				Lump
S-18	756	Lin. Ft.	Steel piles, 12BP53		756		
S-29	41	Cu.Yds.	Porous backfill		41		
S-29	107	Cu.Yds.	Slope facing (S29.05 Type)				107

REPLACEMENT BARS				
MARK	NO.	SIZE	LENGTH	TYPE
RE 400	1	4	5'-3"	Str.
RE 401	1	4	5'-3"	Bent
RE 500	1	5	5'-7"	Str.
RE 600	2	6	5'-11"	Str.
RE 700	2	7	6'-3"	Str.
RE 1000	1	10	7'-2"	Str.
RE 1100	1	11	7'-6"	Str.



RE 401-Spiral reinf. bar

SEC. C-32 FED. AID PROJ. NO. ACI-1103 (21)

PREPARED BY
CAPITOL ENGINEERING ASSOCIATES, DILLSBURG, PA.
FOR

STATE OF OHIO
DEPARTMENT OF HIGHWAYS

GENERAL PLAN & ELEVATION
BRIDGE NO. LAK-1-1493
S.R. 1 UNDER EXIST. S.R. 44
LAKE COUNTY
STA. 434 + 55.38

DESIGNED	DRAWN	TRACED	CHECKED	REVISED DATE	REVISED
JFM	JFM		S		