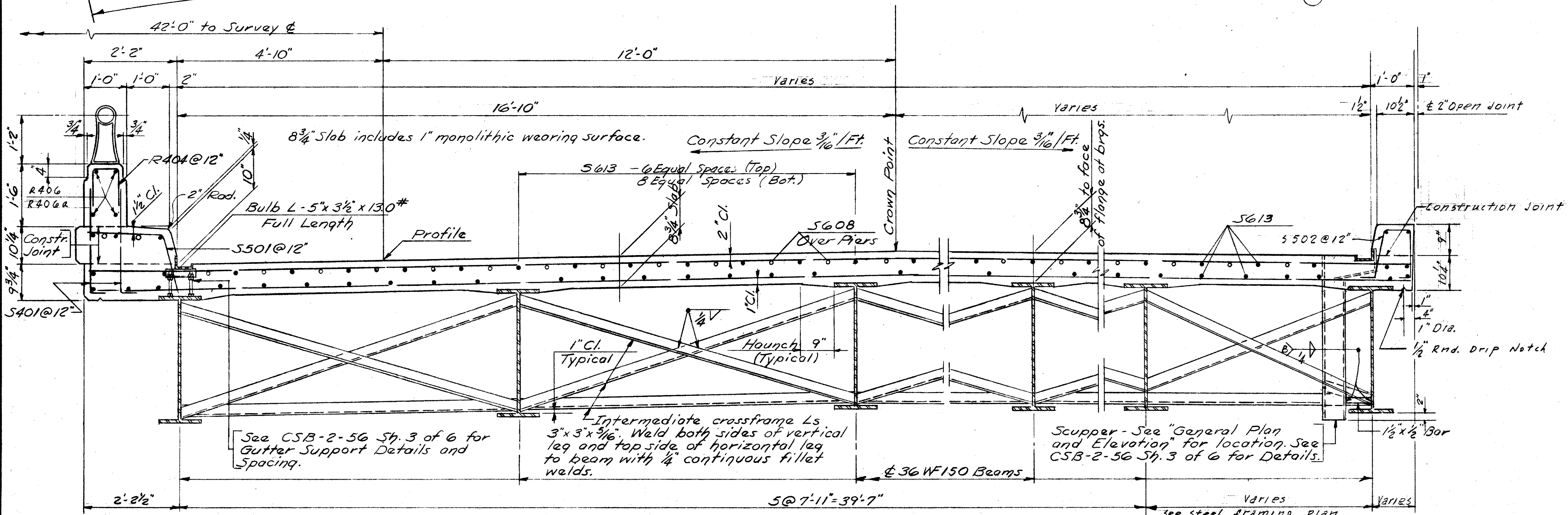
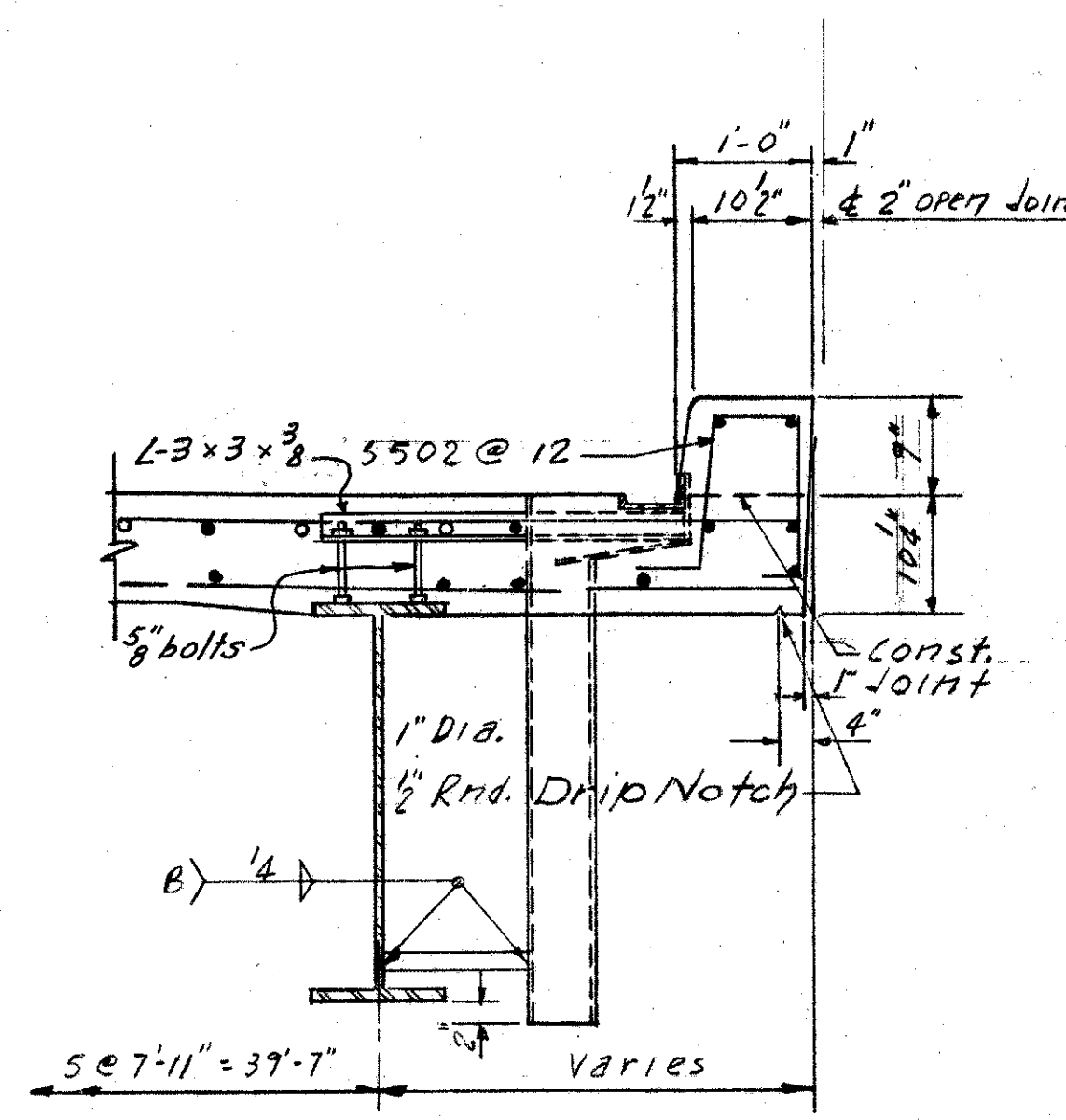


DECK REINFORCEMENT PLAN-SOUTH BRIDGE



TYPICAL SECTION-SOUTH BRIDGE



SECTION A-A

SEC. C-32 FED. AID PROJ. NO. ACI-1103 (21)  
 PREPARED BY  
 CAPITOL ENGINEERING ASSOCIATES, DILLSBURG, PA  
 FOR  
 STATE OF OHIO  
 DEPARTMENT OF HIGHWAYS  
 SOUTH DECK  
 BRIDGE NO. LAK-1-1389  
 S.R.1 OVER AUBURN ROAD  
 LAKE COUNTY  
 STA. 380 + 38.95

DESIGNED	DRAWN	TRACED	CHECKED	REVISED	DATE	REVISED
SMK	SMK		JMM			