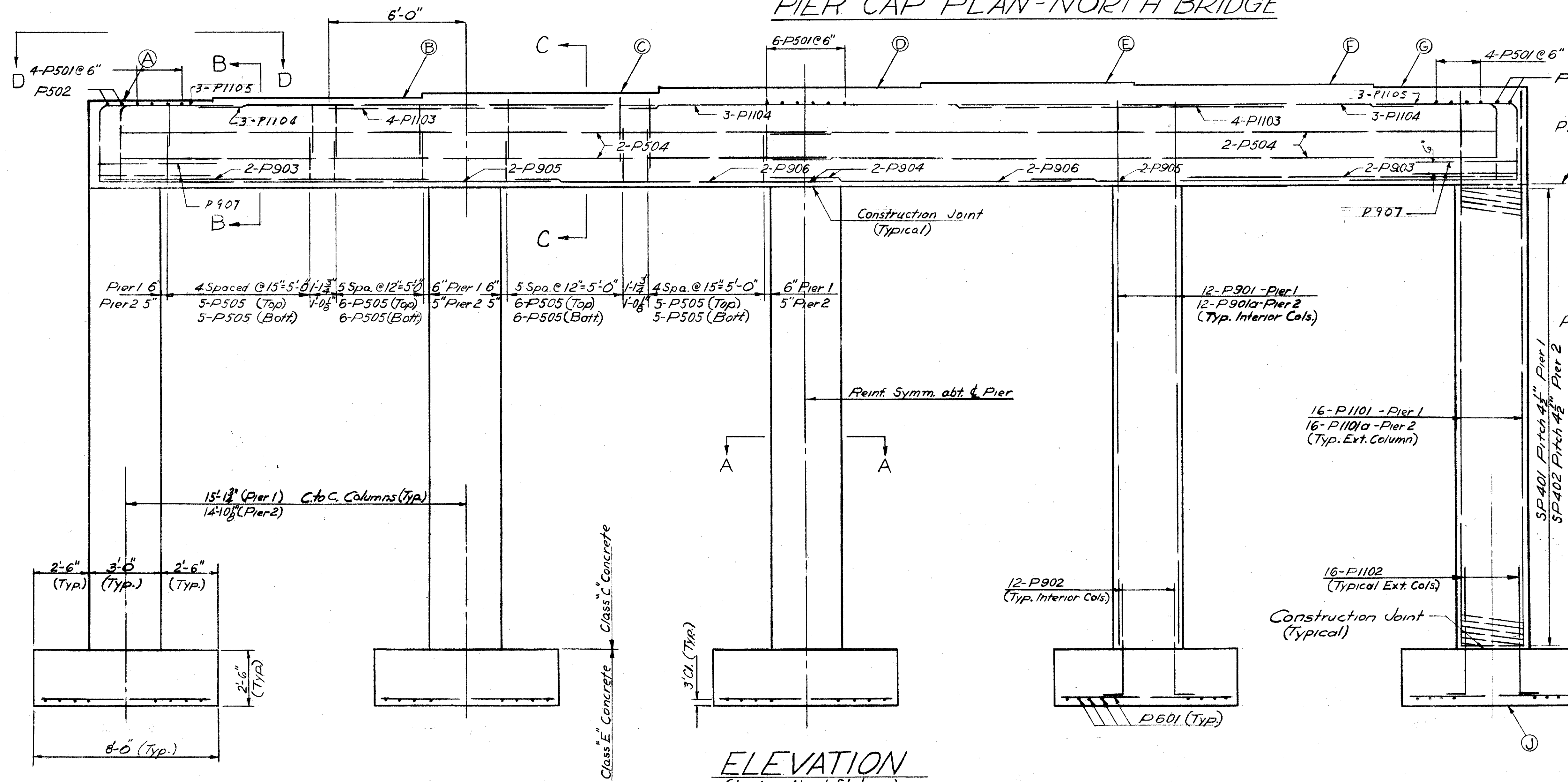
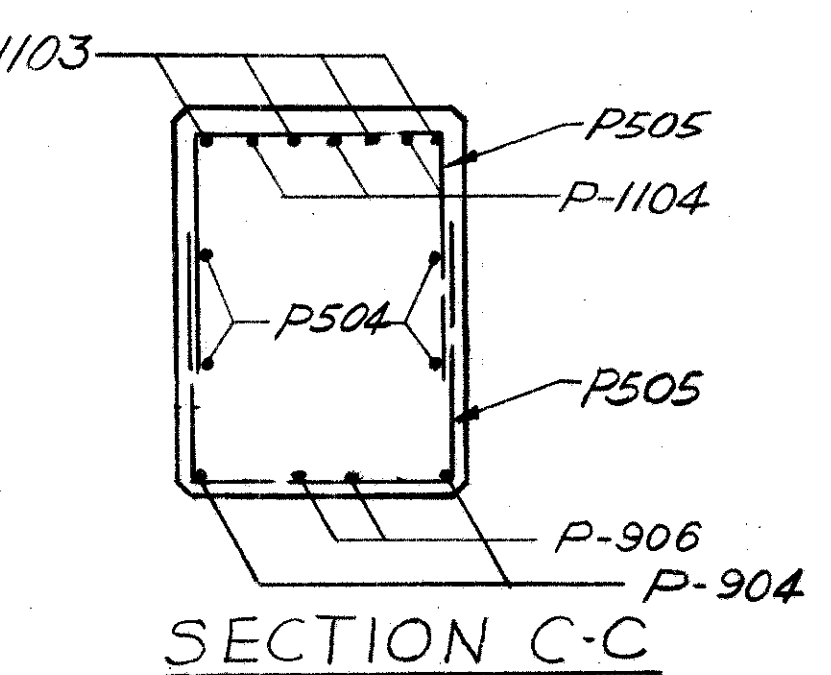
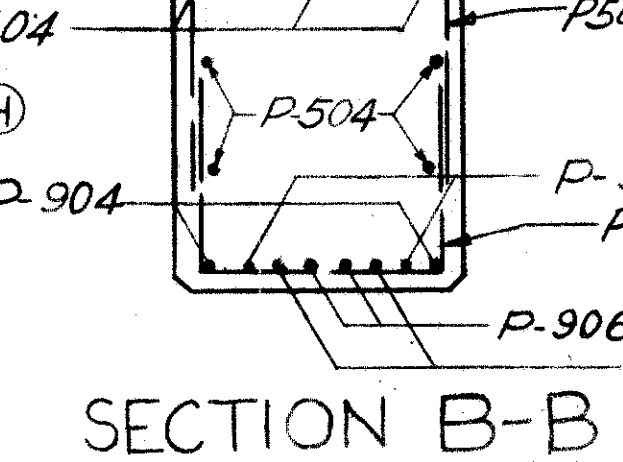
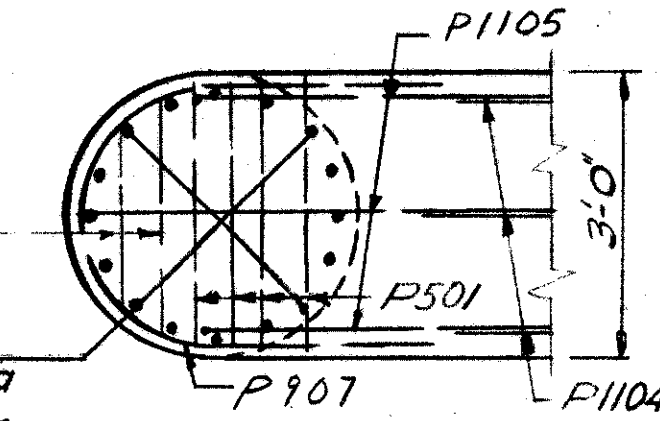


PIER CAP PLAN-NORTH BRIDGE



SECTION A-A



NOTES:
Clearance of Reinforcing Steel shall be 2" from face of concrete unless otherwise shown.
Special care shall be taken in placing Reinforcing Steel in the bridge seat so that it will not interfere with the drilling of anchor bolt holes.
Maximum foundation pressure is 6 tons per Sq. ft.
Average is 3.51 tons per Sq. ft.
SEC. C-32 FED. AID PROJ. NO. ACI-1103 (21)

PIER ELEVATION									
	A	B	C	D	E	F	G	H	J
Pier 1	827.86	828.03	828.22	828.41	828.61	828.56	828.47	824.11	800.03
Pier 2	827.31	827.52	827.70	827.89	828.07	828.02	827.92	823.63	801.03

PREPARED BY
CAPITOL ENGINEERING ASSOCIATES, DILLSBURG, PA.
FOR
STATE OF OHIO
DEPARTMENT OF HIGHWAYS

NORTH PIERS
BRIDGE NO. LAK-1-1389
S.R.I. OVER AUBURN ROAD
LAKE COUNTY
STA. 380 + 38.95

DESIGNED	DRAWN	TRACED	CHECKED	REVISED	DATE	REVISED
LMM	TJB		LMM			