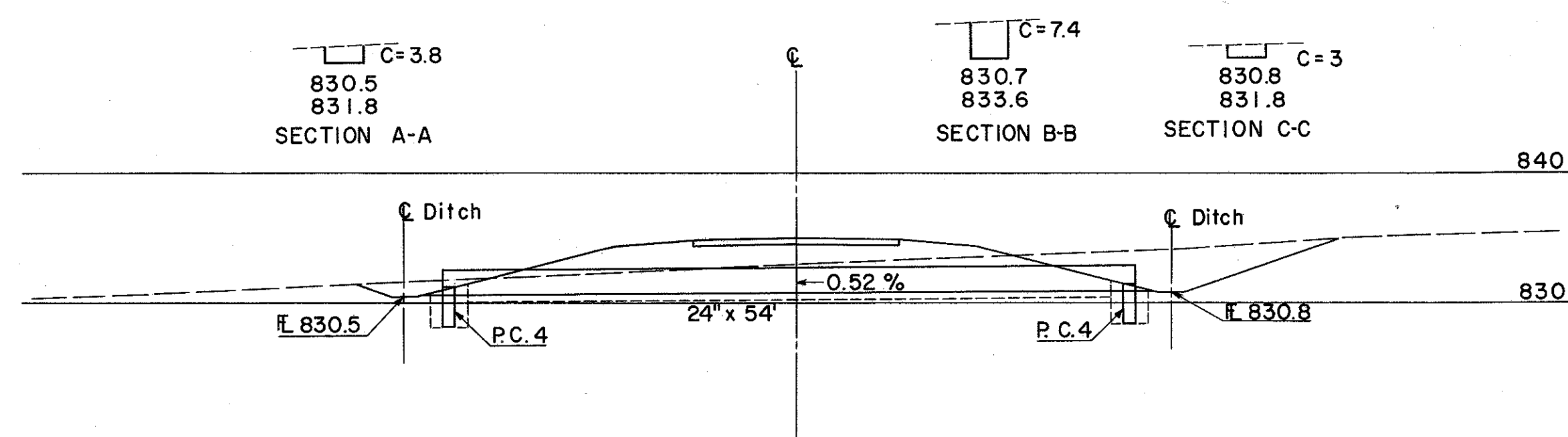


SCALE : 1" = 10'

HEADWATER = 1.90'
OUTLET VELOCITY = 5.0 f.p.s.

AREA = 4.5 ACRES
Q₂₅ = 13.8 c.f.s.



CULVERT DATA

TYPE : S-27 Pipe for Roadway Culverts Sec. M-6.6 (b)
SIZE : 24" x 54'
WORK REQUIRED: Build 24" Pipe Culvert with
P.C. 4 Endwalls Rt. & Lt.

ESTIMATED QUANTITIES

E-2	Excavation for Structure	14	C. Y.
S-1	Concrete for Structure Class "E"	0.82	C. Y.
S-27	24" Pipe for Roadway Culverts M-6.6 (b)	54	L. F.
L-10	Sodding	6.7	S. Y.