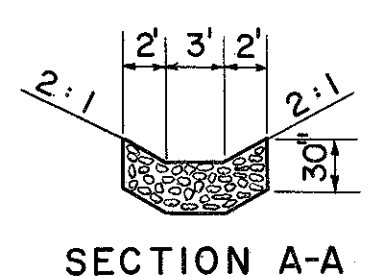
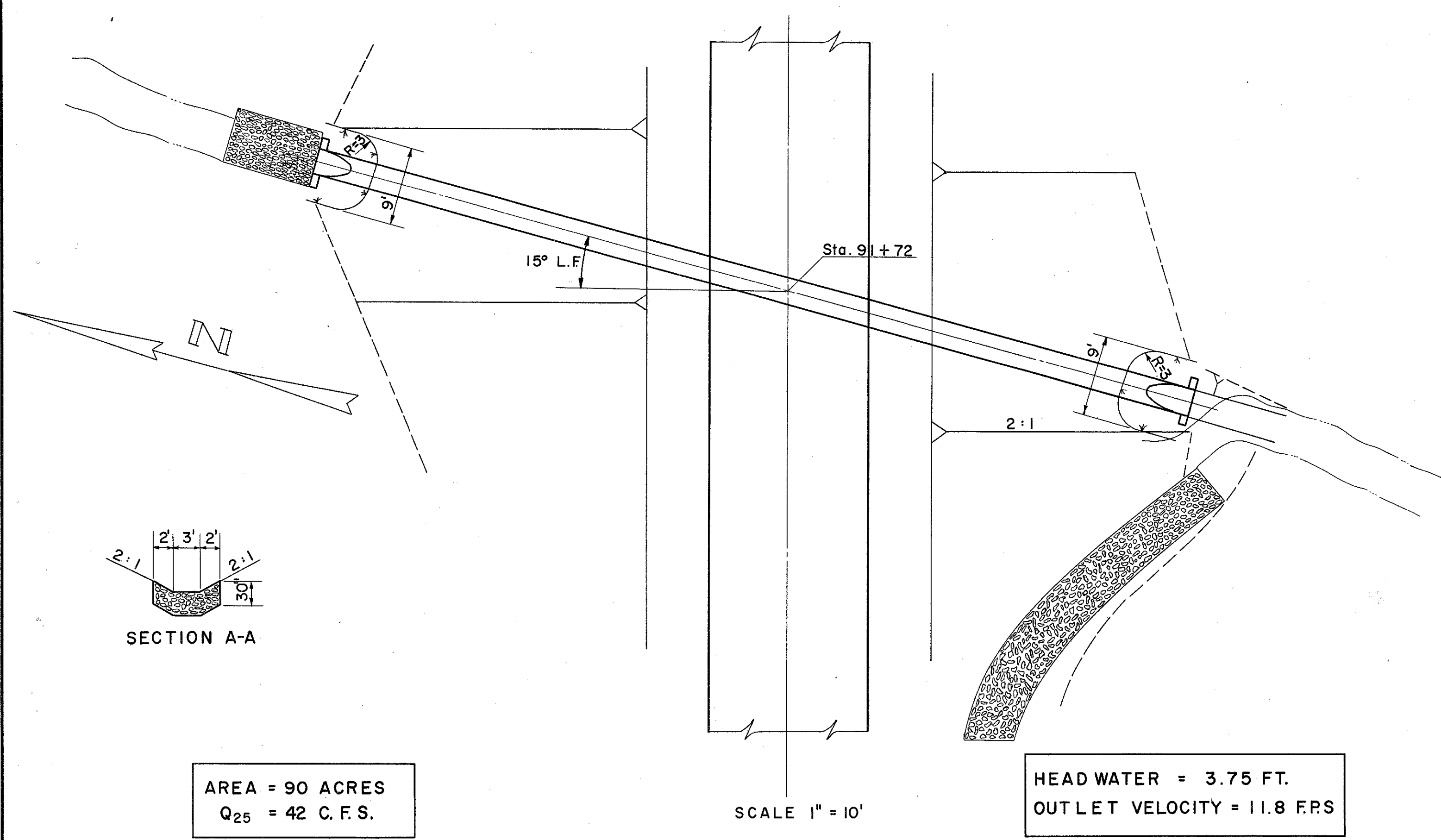


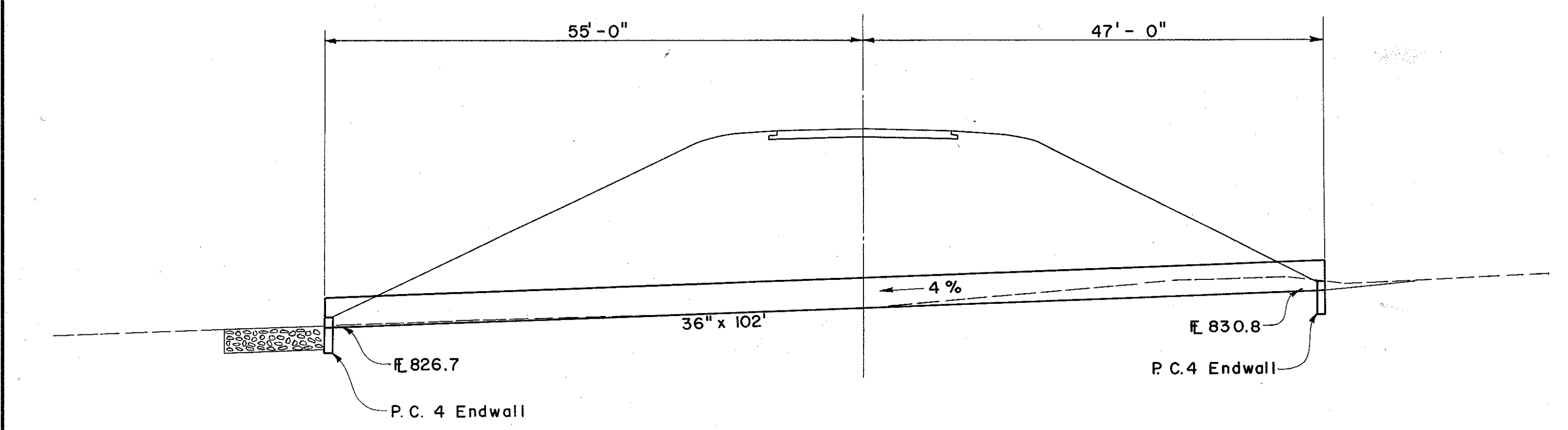
LAKE COUNTY
LAK-1-12.89



AREA = 90 ACRES
Q₂₅ = 42 C.F.S.

SCALE 1" = 10'

HEAD WATER = 3.75 FT.
OUTLET VELOCITY = 11.8 FPS

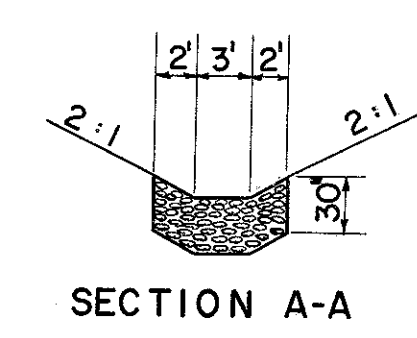
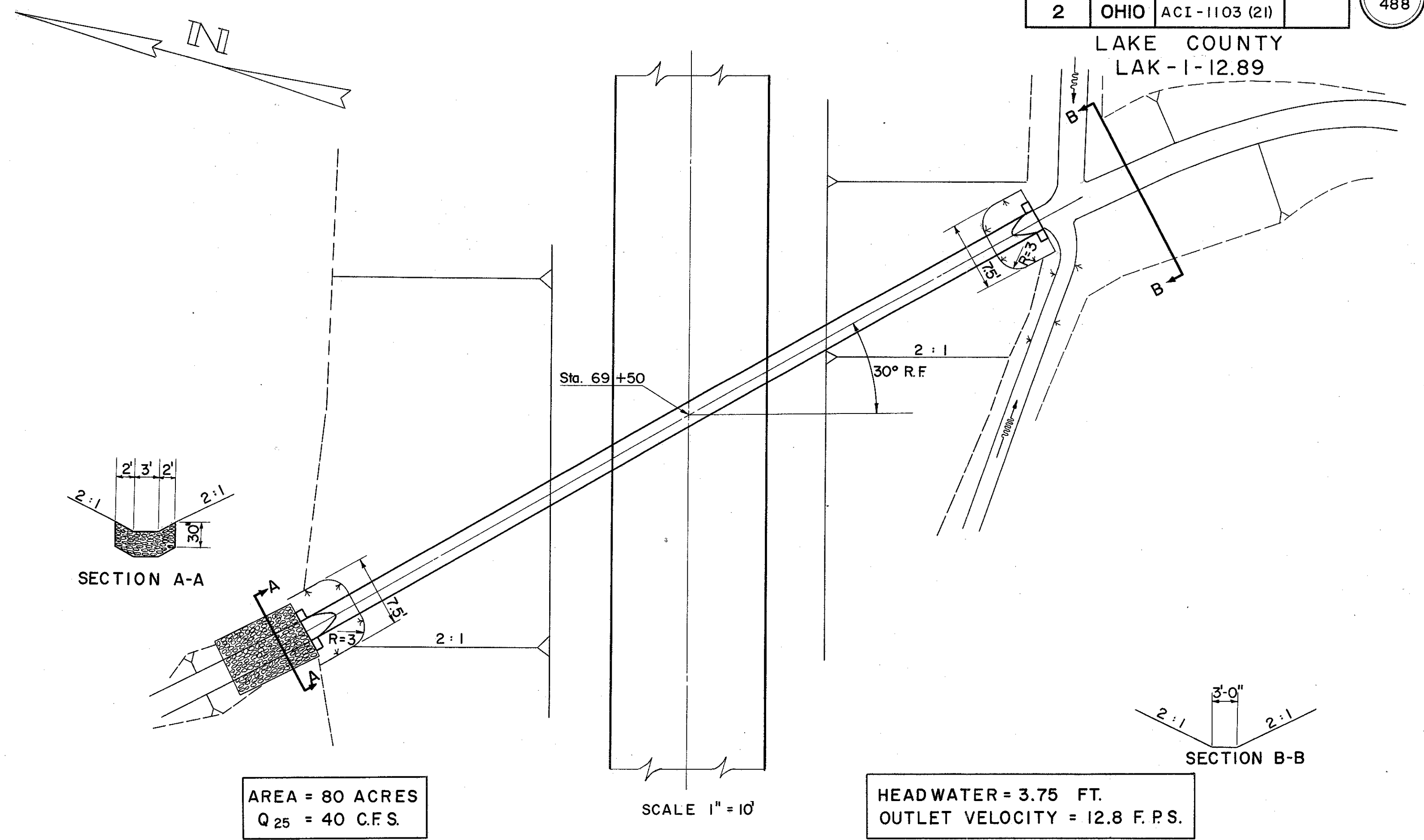


ESTIMATED QUANTITIES

E-2	Excavation For Structures	22	C.Y.
E-3	Channel Excavation	1	C.Y.
L-10	Sodding	11	S.Y.
S-1	Concrete For Structures Class "E"	1.18	C.Y.
S-27	36" Pipe For Roadway Culverts Sec. M-6.4 (d)	102	L.F.
I-10	Dumped Rock For Channel Protection	7	C.Y.

CULVERT DATA

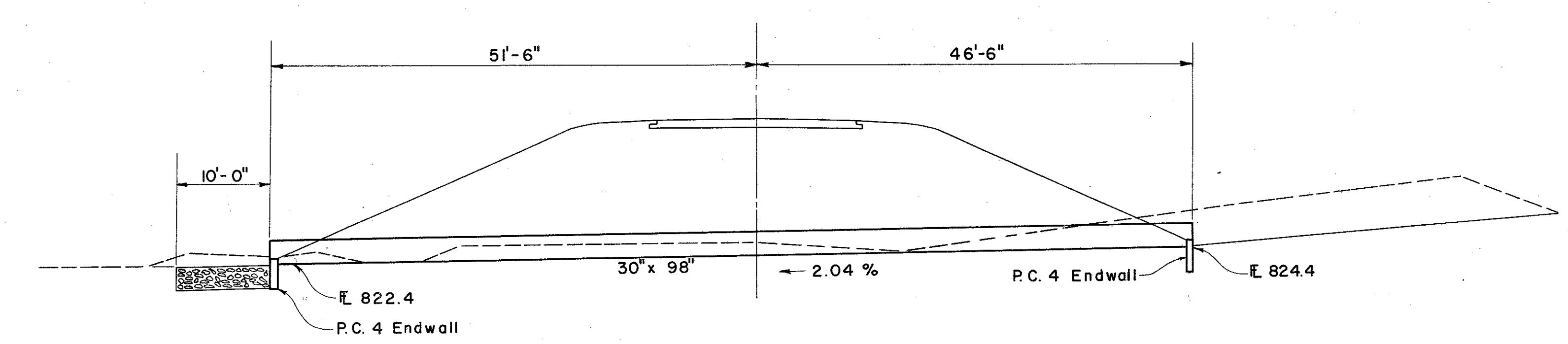
TYPE: Pipe Culvert S-27 P.C. 4 Endwalls
SIZE: 36" x 102'
WORK REQUIRED: Build Pipe Culvert with P.C. 4 Endwalls Sodding Lt. & Rt. as Shown. Excavate Channel Rt. as Required. Place Dumped Rock Lt. as Shown.



AREA = 80 ACRES
Q₂₅ = 40 C.F.S.

SCALE 1" = 10'

HEAD WATER = 3.75 FT.
OUTLET VELOCITY = 12.8 F.P.S.



ESTIMATED QUANTITIES

E-2	Excavation For Structures	35	C.Y.
E-3	Channel Excavation	71	C.Y.
L-10	Sodding	12	S.Y.
S-1	Concrete For Structures Class "E"	1.02	C.Y.
S-27	30" Pipe For Roadway Culverts Sec. M-6.6(b) or M-6.8 (b)	98	L.F.
I-10	Dumped Rock For Channel Protection	7	C.Y.

CULVERT DATA

TYPE: Pipe Culvert S-27 P.C. 4 Endwalls
SIZE: 30" x 98'
WORK REQUIRED: Build Pipe Culvert with Std. P.C. 4 Endwalls Sodding as Shown. Excavate Channel Lt. & Rt. as Required. Place Dumped Rock as Shown.