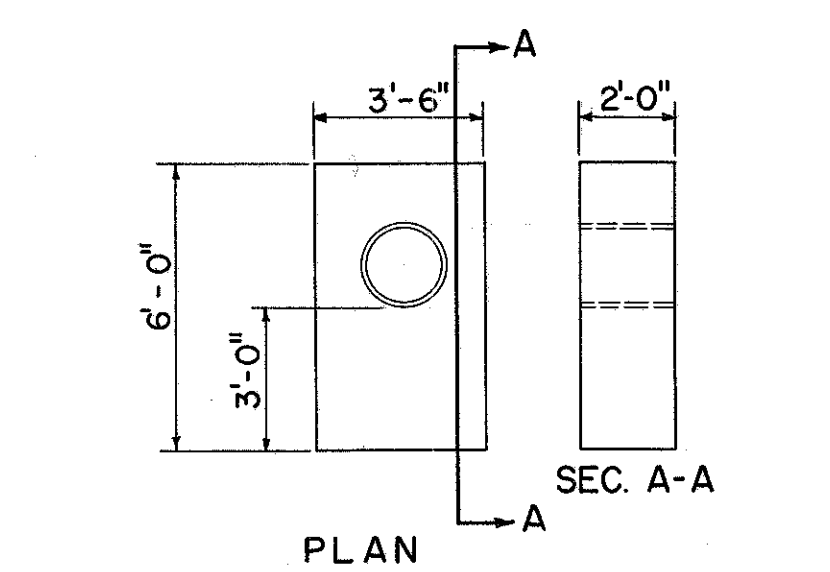
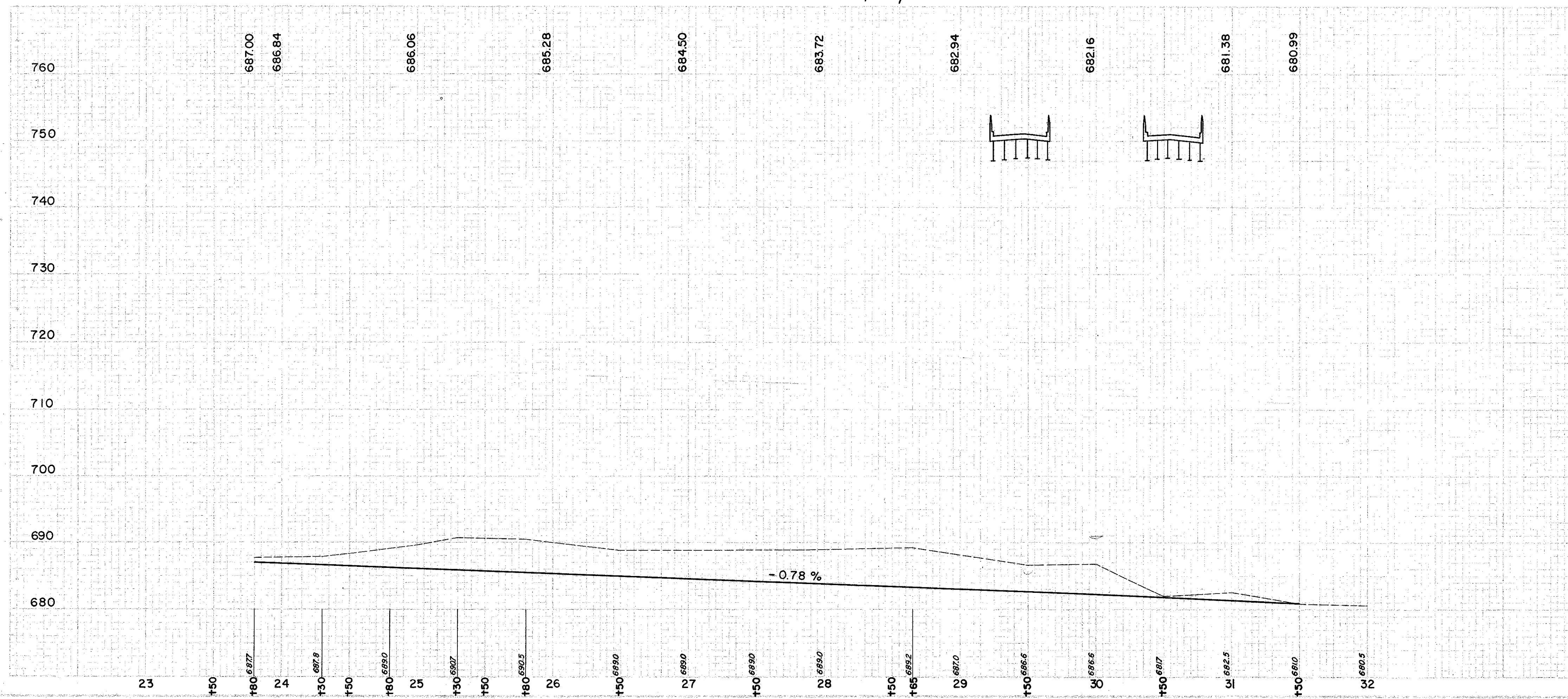
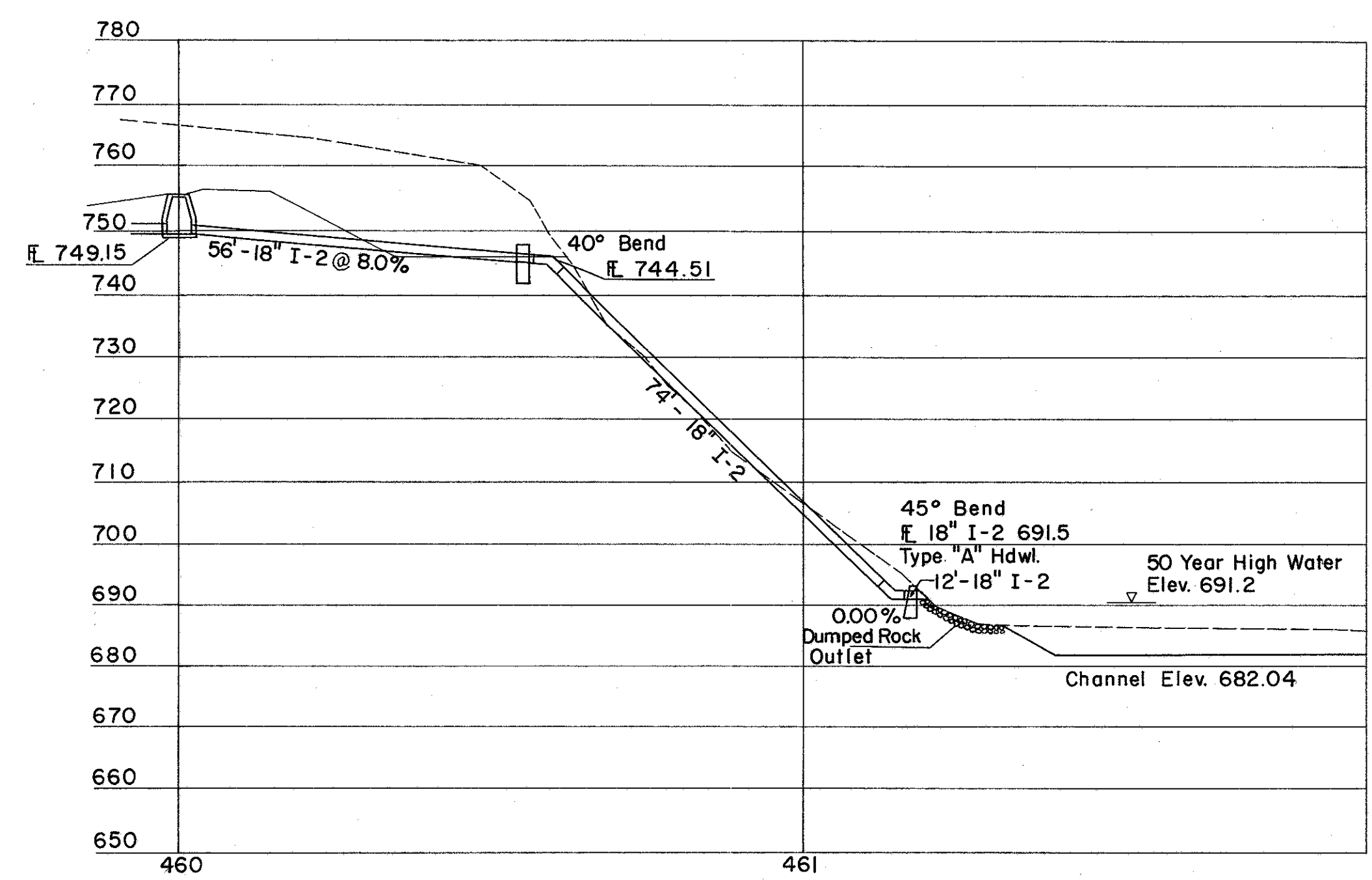
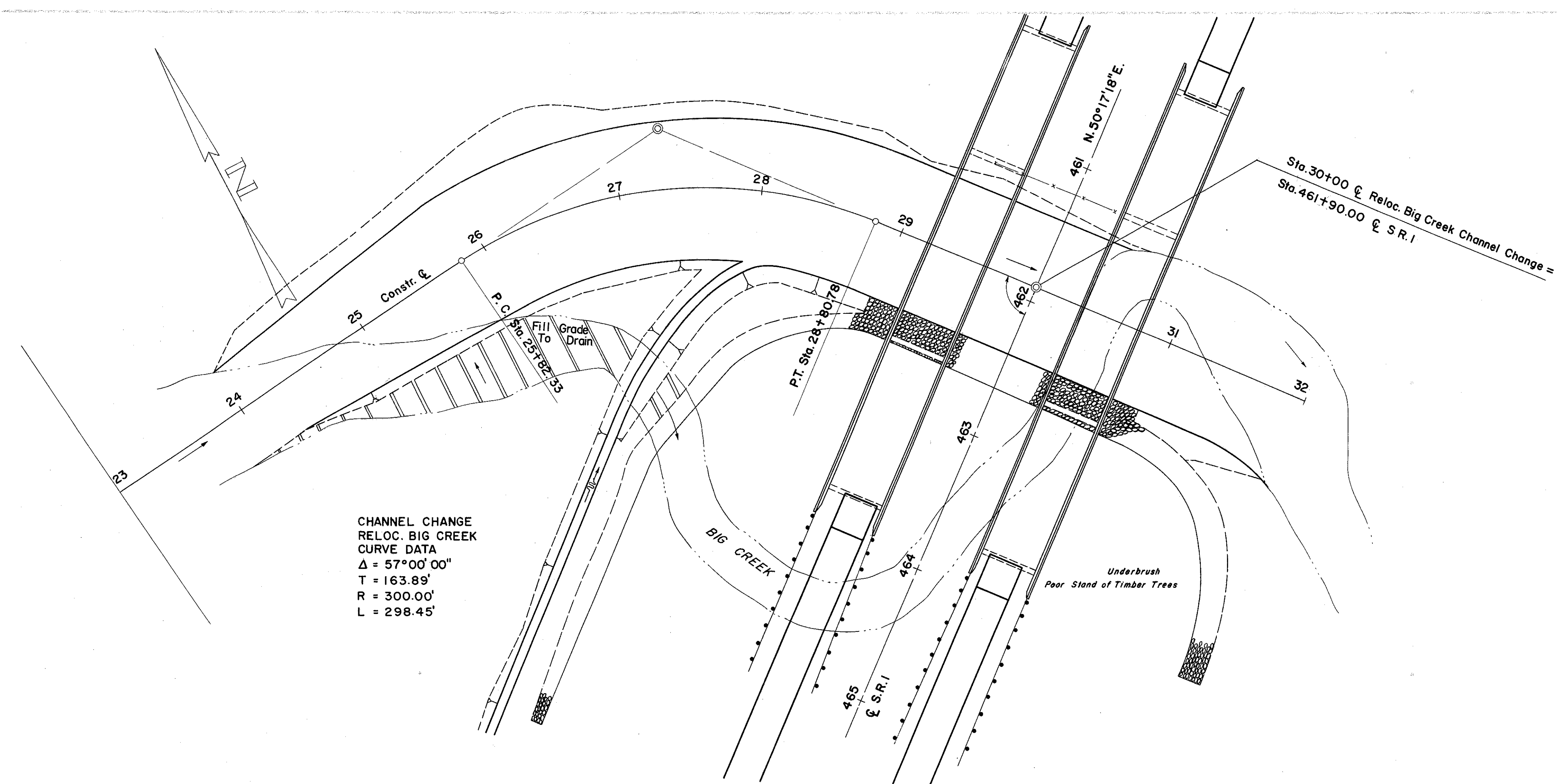


LAKE COUNTY
LAK-1- 12.89



DETAIL CONCRETE COLLAR

NOTE:
Concrete Collar to be
Included in Bid Price
For I-2 Pipe.

EXCAVATION (CHANNEL)	= 11,150 C.Y.
BRIDGE QUANTITY	= 1,303 C.Y.
EMBANKMENT	= 175 " = 1,531 C.Y.