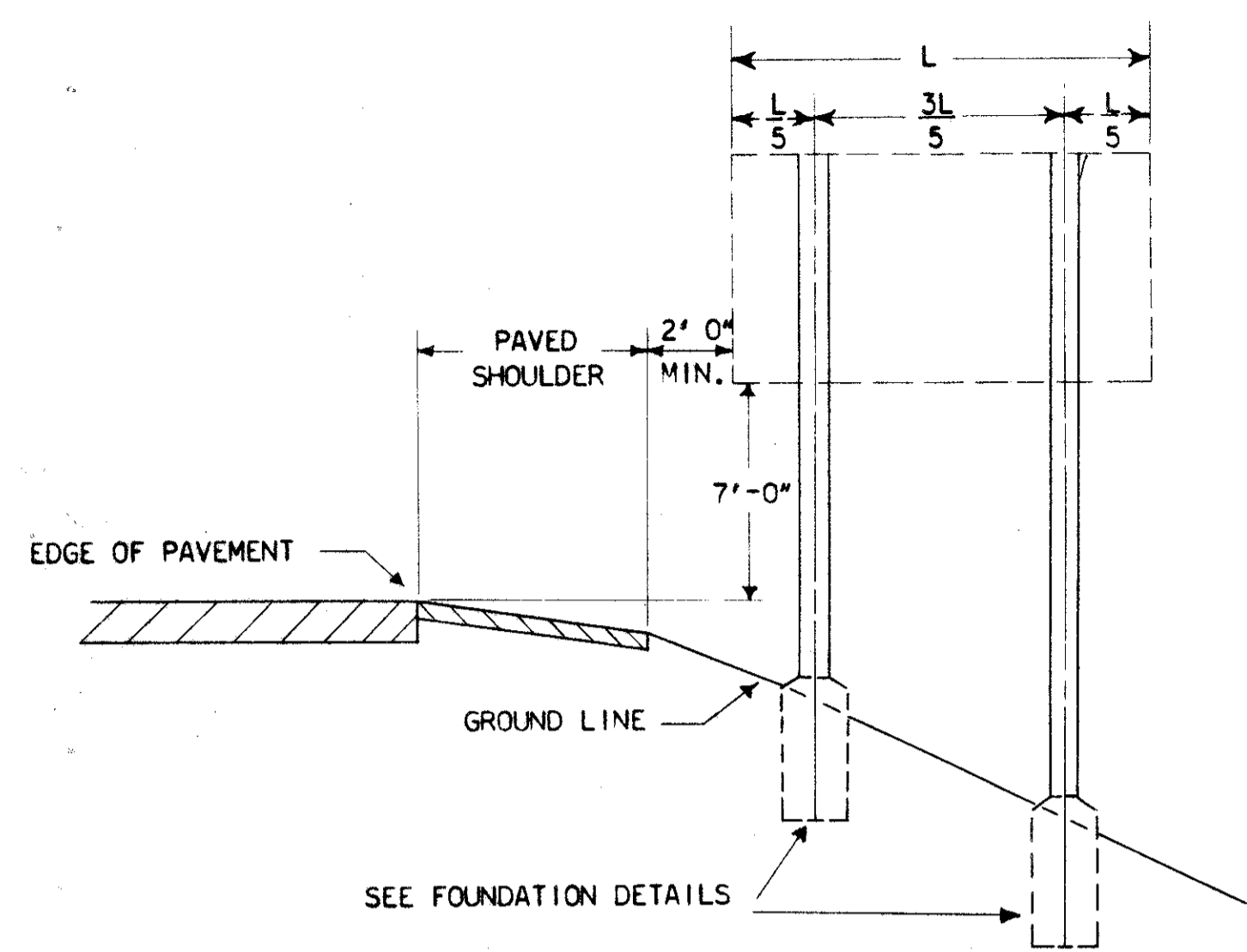
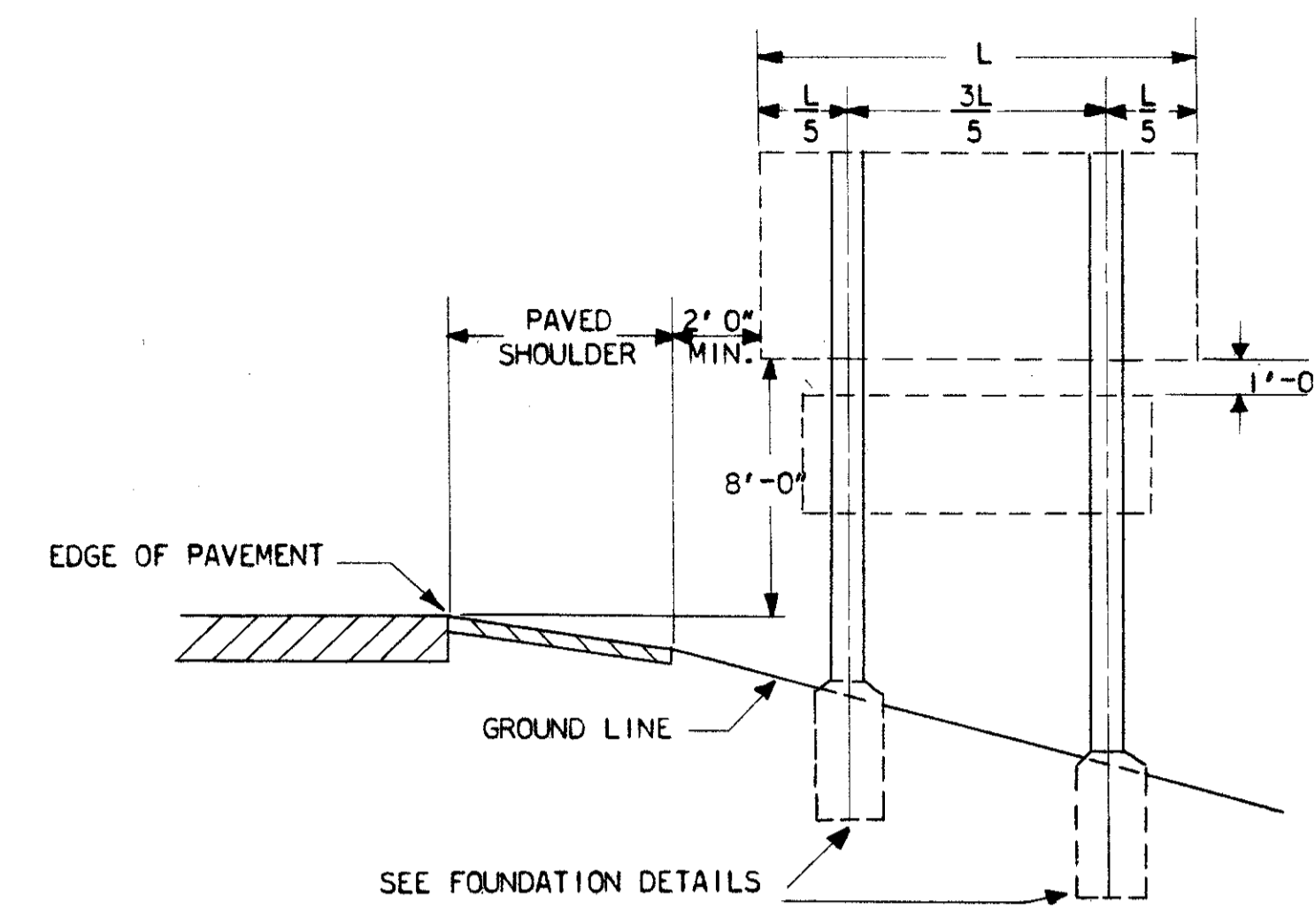


LAKE COUNTY
ASHTABULA COUNTY
LAK-1-12.89
ATB-1-0.00

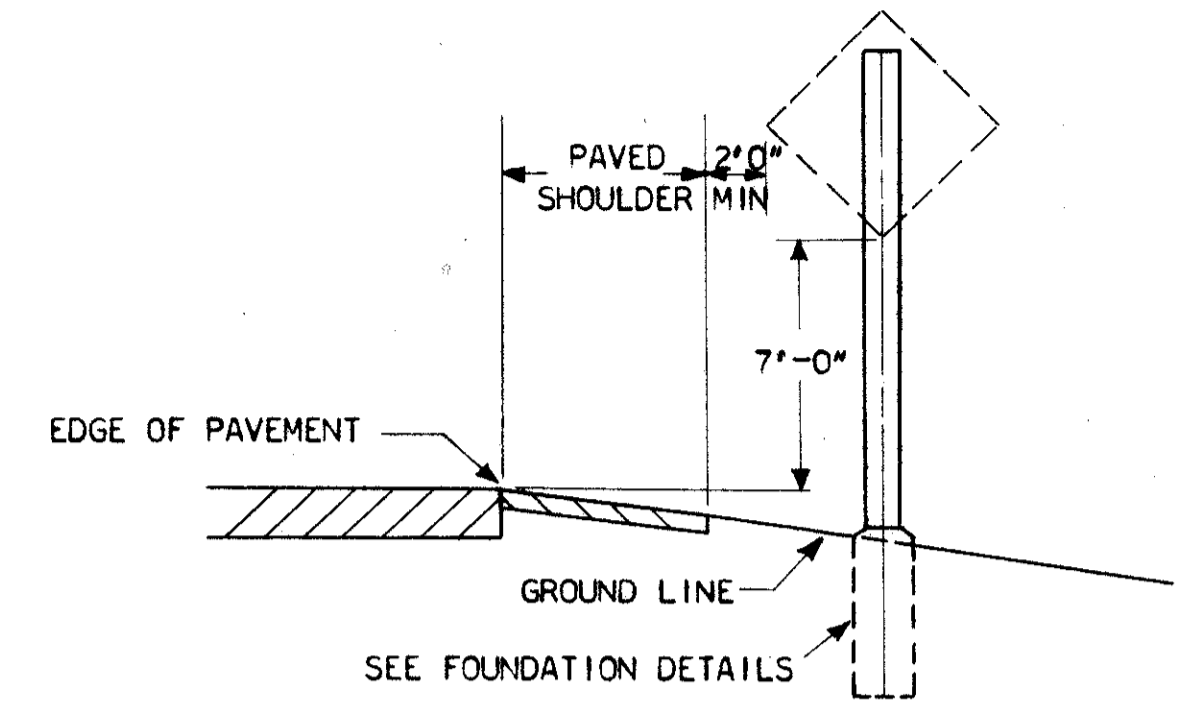
TYPICAL PLACEMENT OF SIGNS WITH BEAM SUPPORTS



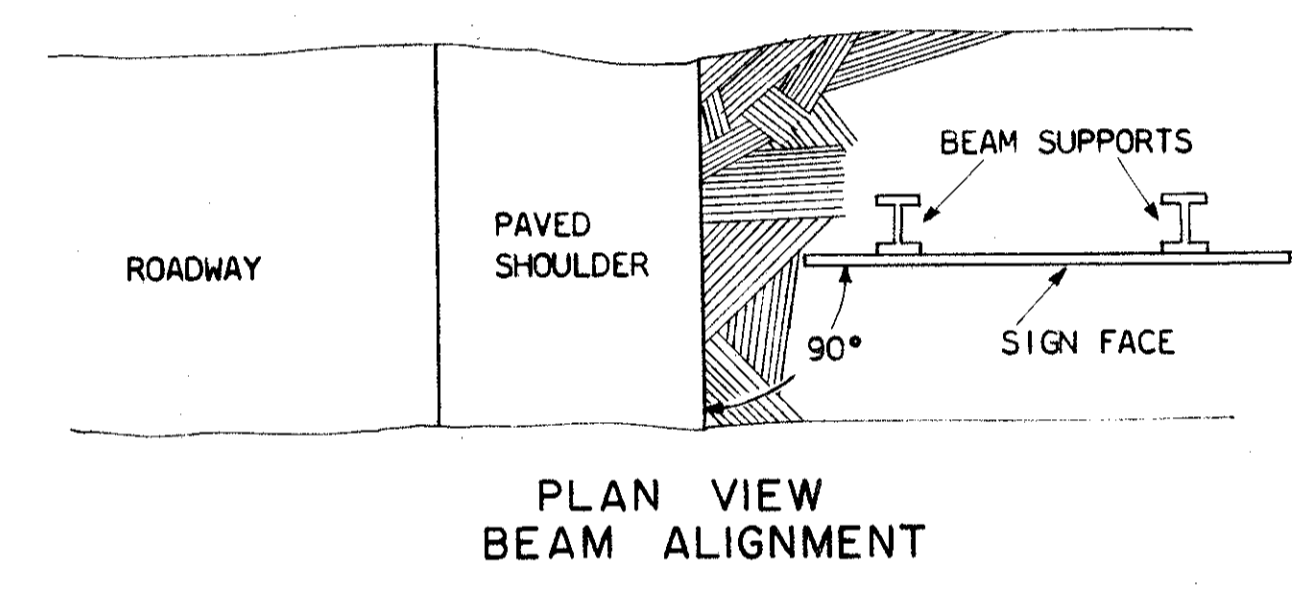
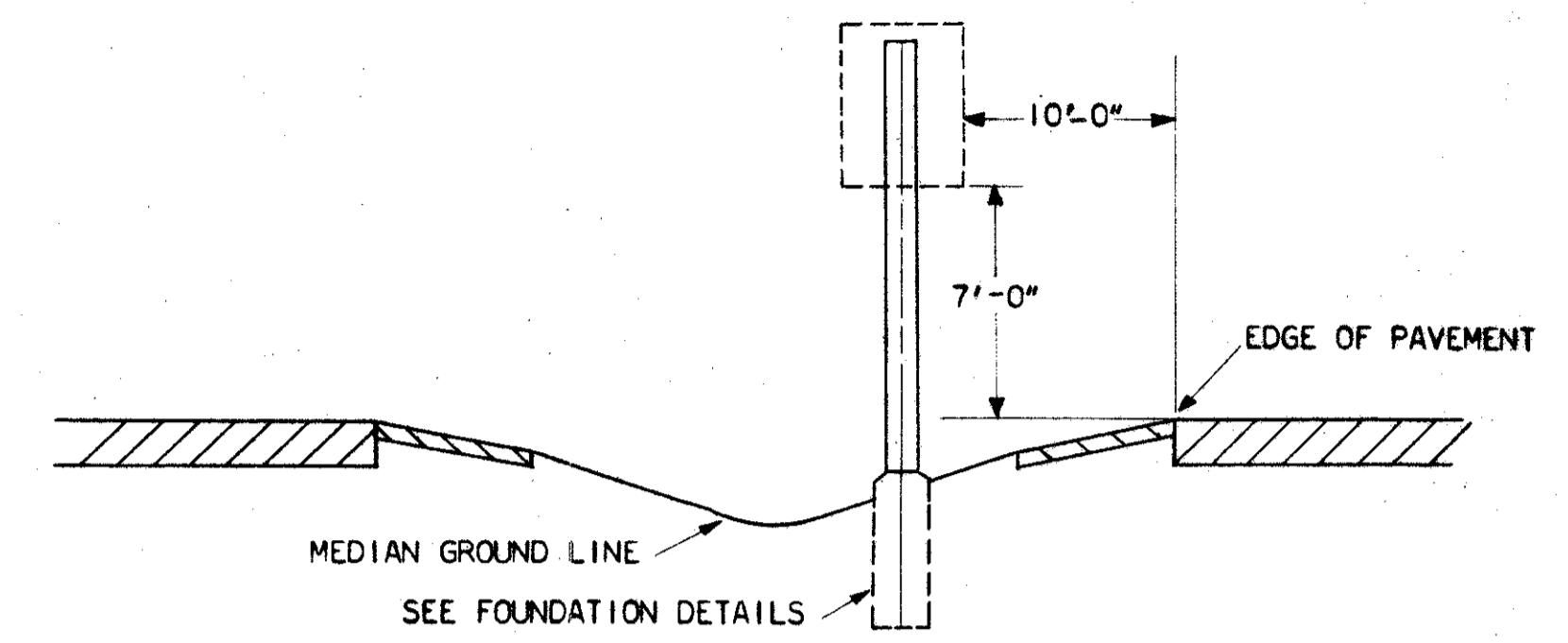
MAJOR SIGN ONLY



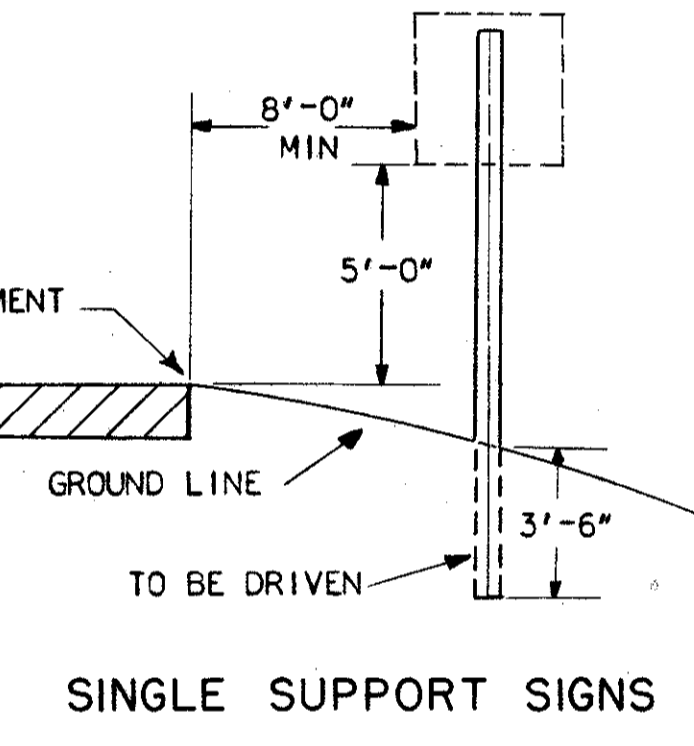
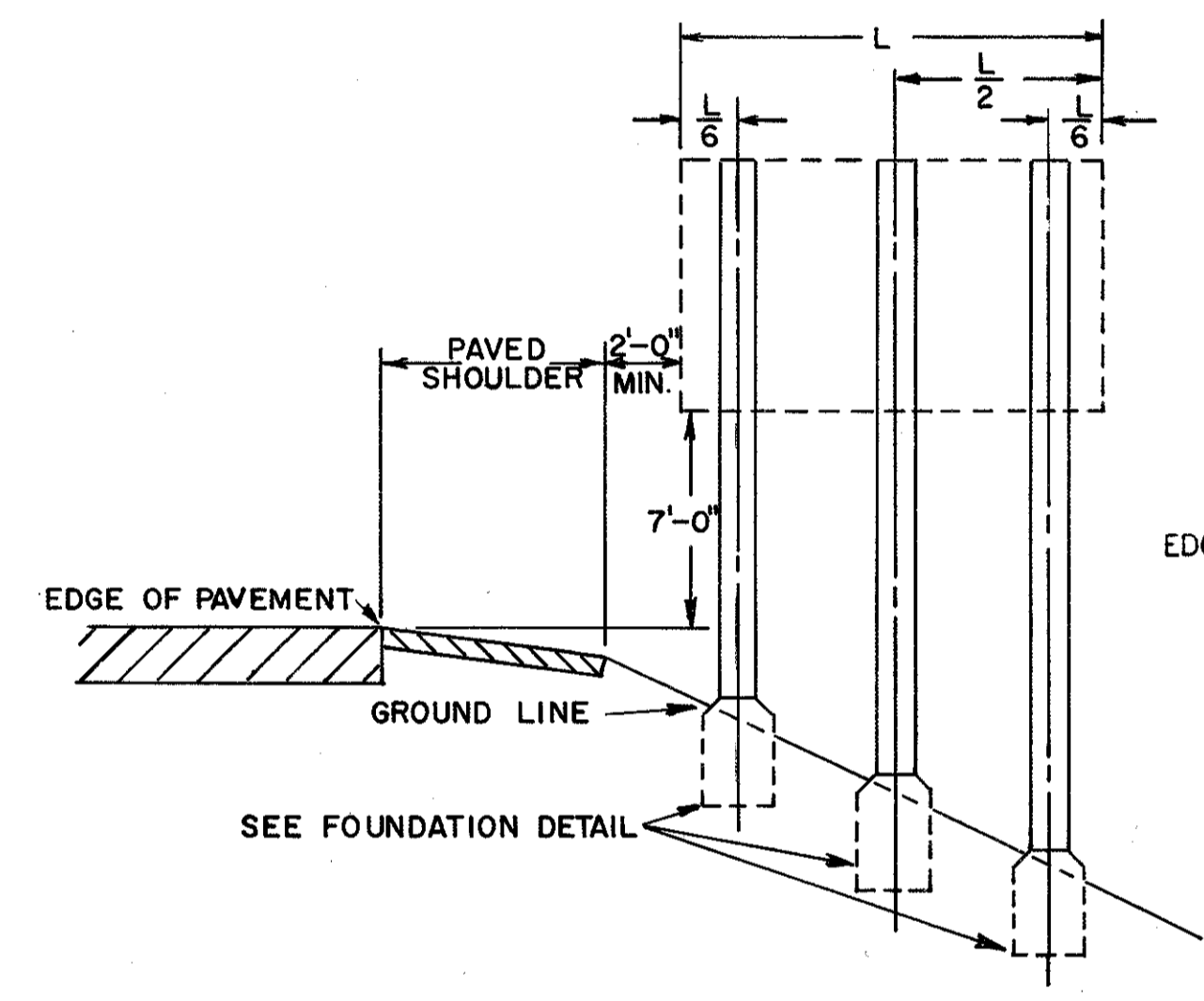
MAJOR & SECONDARY SIGNS



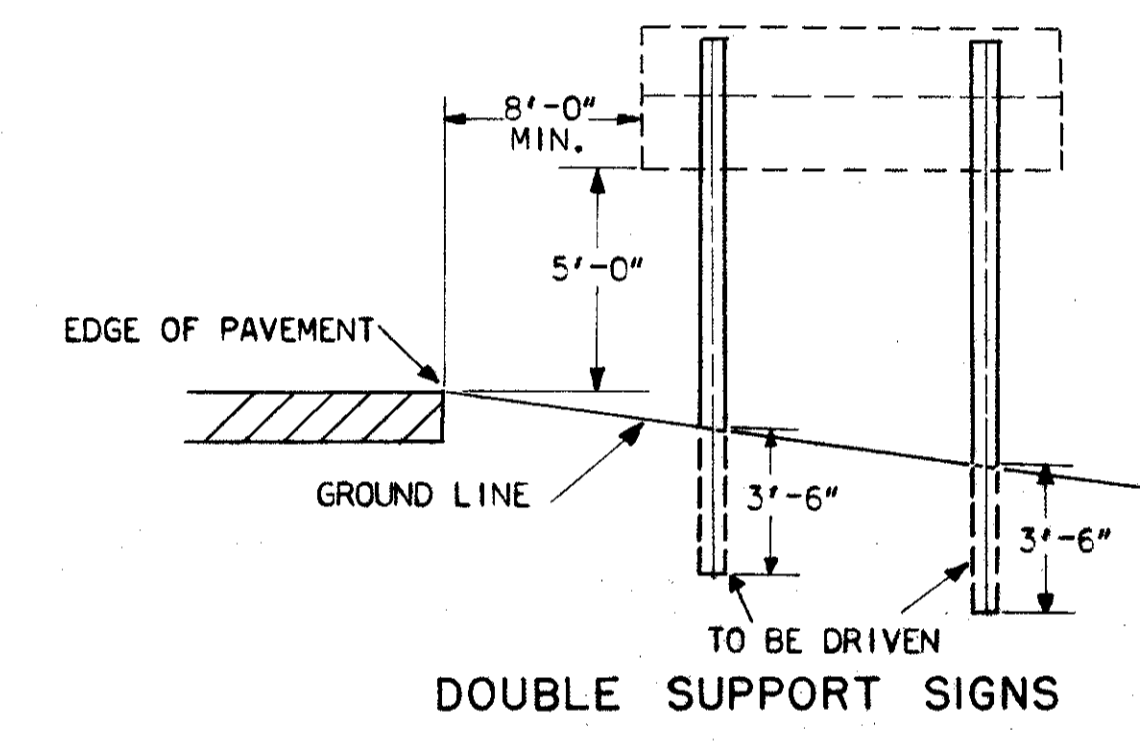
SINGLE SUPPORT SIGNS



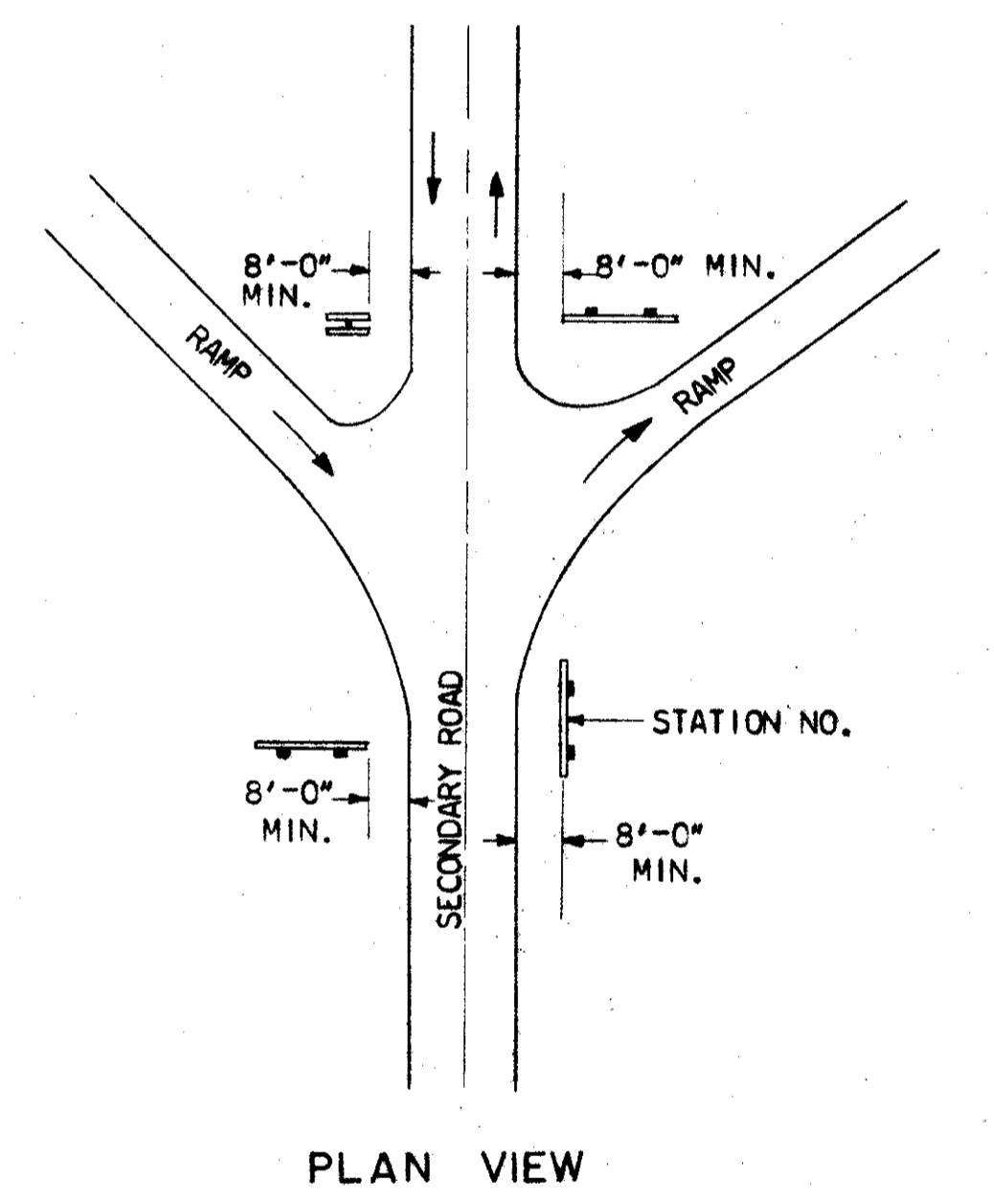
PLAN VIEW
BEAM ALIGNMENT



SINGLE SUPPORT SIGNS

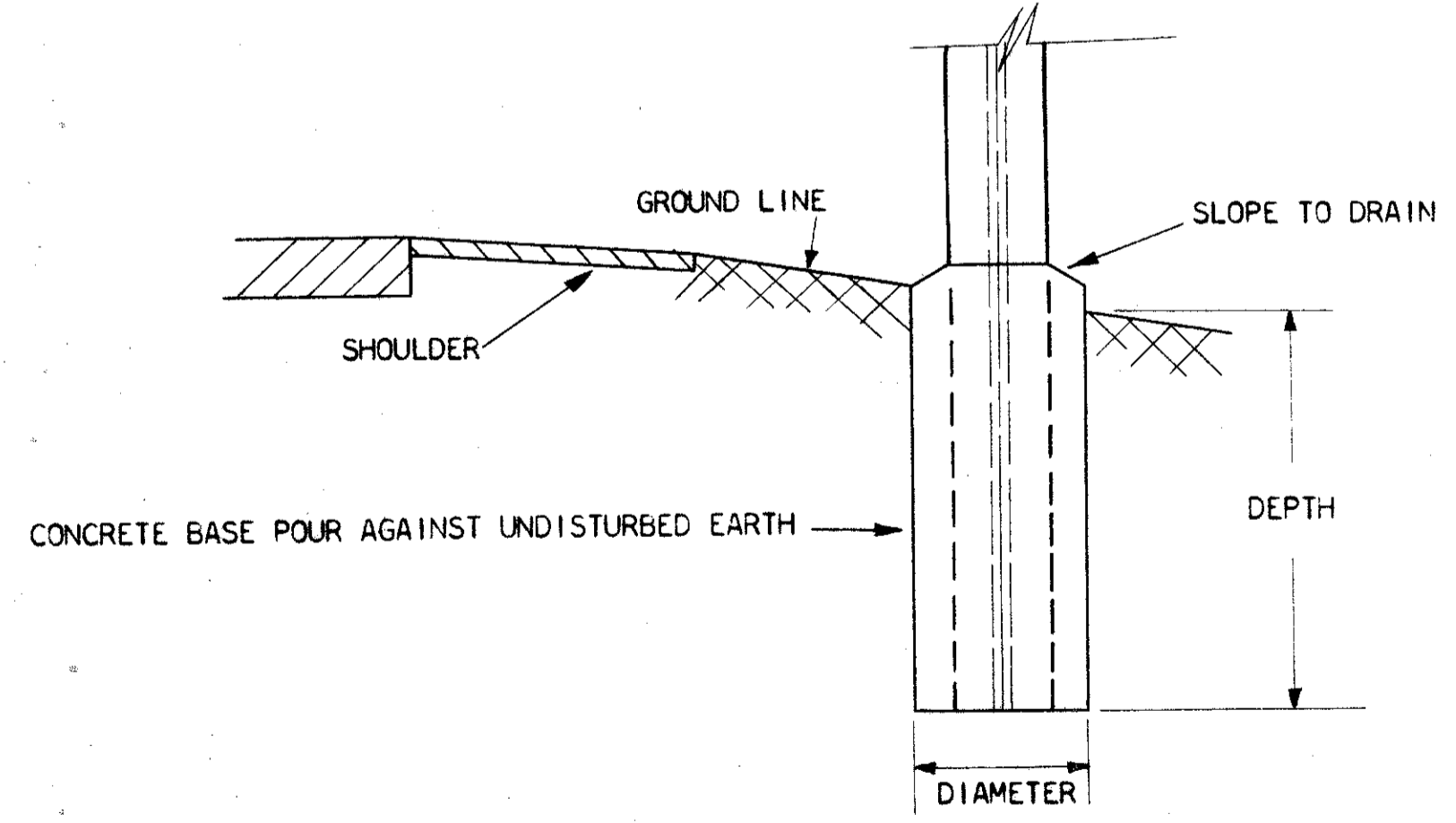


DOUBLE SUPPORT SIGNS



PLAN VIEW

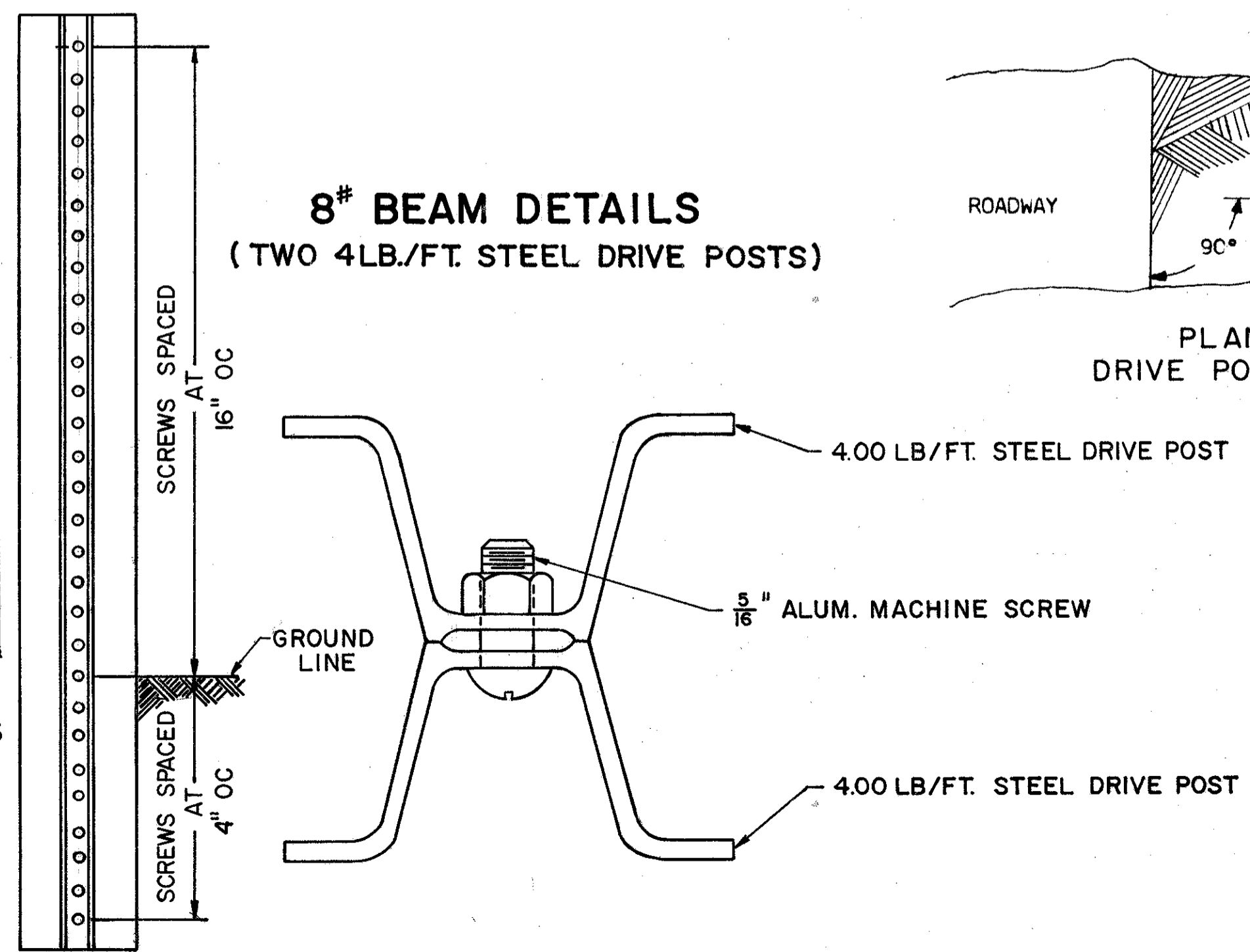
FOUNDATION DETAILS FOR BEAM SUPPORTS



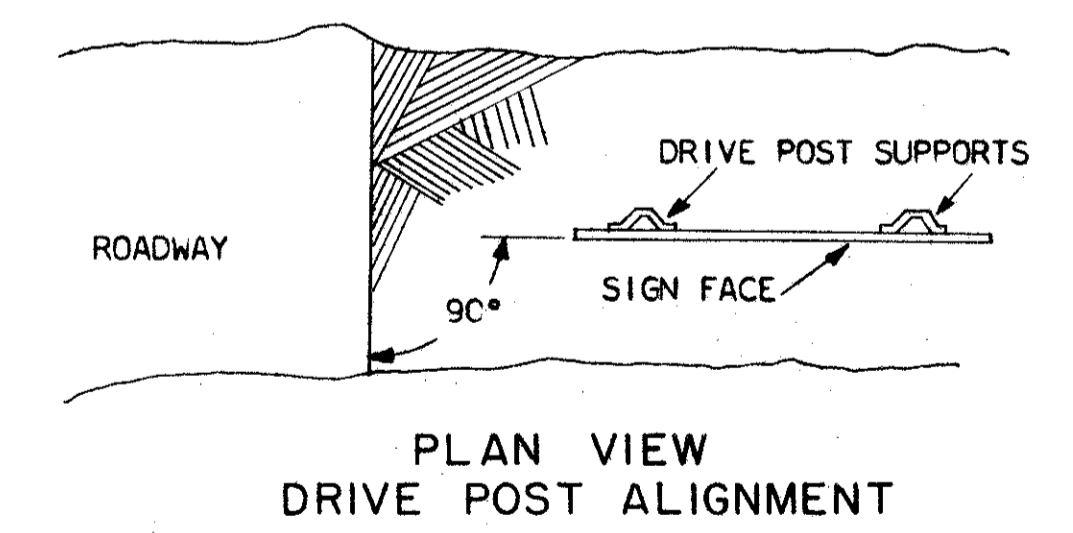
TYPICAL FOUNDATION

POST SIZE	DEPTH	DIAM.	CU. YDS.
8" BEAM	5'-6"	1'-0"	0.16
10B11.5	5'-6"	2'-6"	1.00
10B17.0	6'-0"	2'-6"	1.09
12WF22	7'-0"	2'-6"	1.27
12WF27	8'-0"	2'-6"	1.46
12WF31	8'-6"	2'-6"	1.55
14WF34	9'-0"	2'-6"	1.64
16WF36	9'-6"	2'-6"	1.73
16WF40	10'-0"	2'-6"	1.82
18WF50	11'-0"	2'-6"	2.00

TABLE OF FOUNDATION SIZES



8" BEAM DETAILS
(TWO 4LB./FT. STEEL DRIVE POSTS)



PLAN VIEW
DRIVE POST ALIGNMENT

1. ALL SIGNS SHALL BE ERECTED BEHIND GUARD RAIL WHERE PRESENT, EXCEPT WHEN SPECIFIED OTHERWISE ON PLANS OR BY ENGINEER.
2. PLACEMENT OF SIGN INSTALLATION SHALL BE ADJUSTED SO THAT SUPPORTS SHALL NOT BE PLACED IN DRAINAGE DITCHES.