

ONE DESTINATION SIGN AND
TWO MARKER ASSEMBLIES

TYPICAL ERECTION OF SIGNS ON DRIVE POSTS

TWO DESTINATION SIGNS AND
ONE, TWO, OR THREE MARKER ASSEMBLIES

ONE DESTINATION SIGN AND ONE
OR THREE MARKER ASSEMBLIES

ONE OR TWO
DESTINATION SIGNS

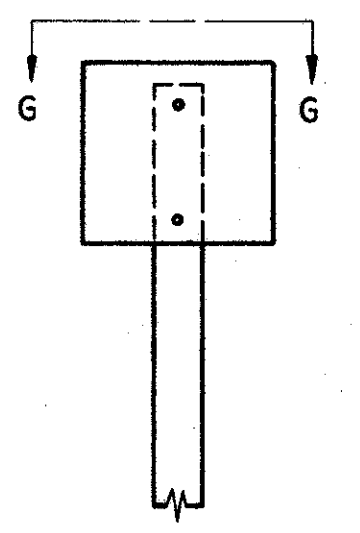
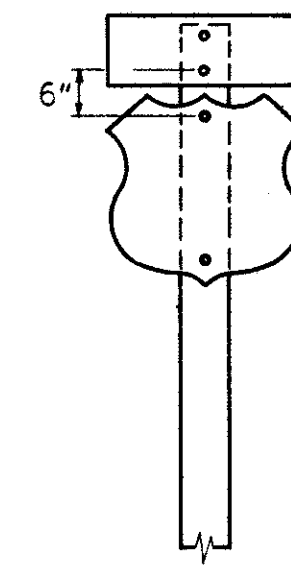
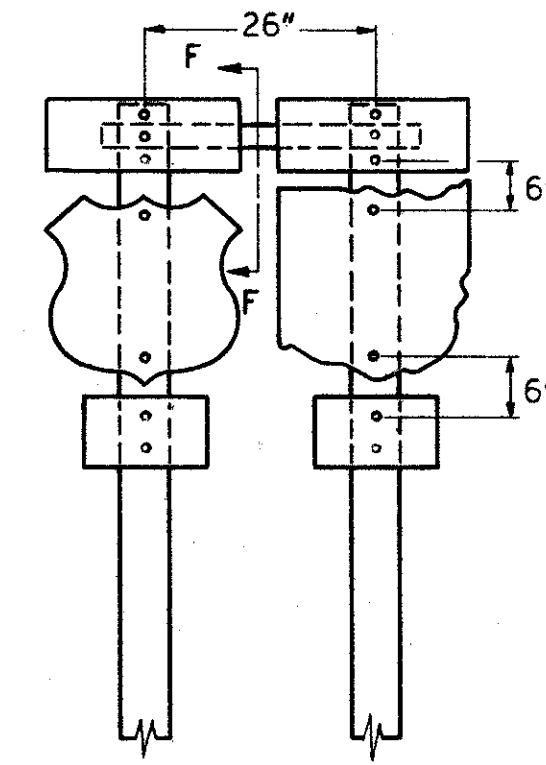
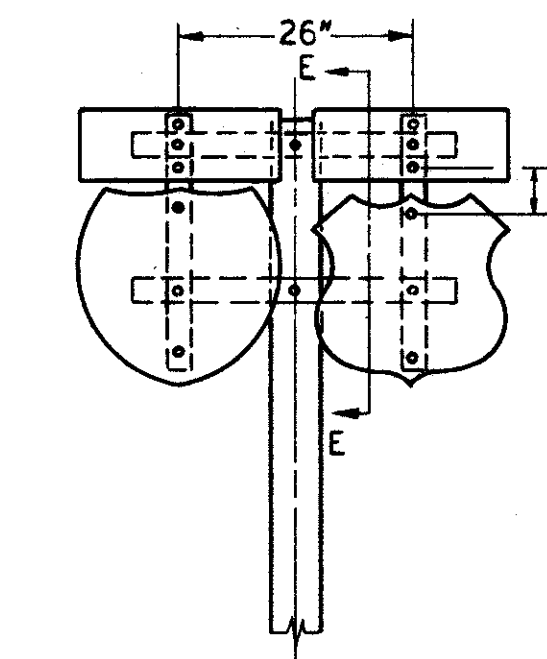
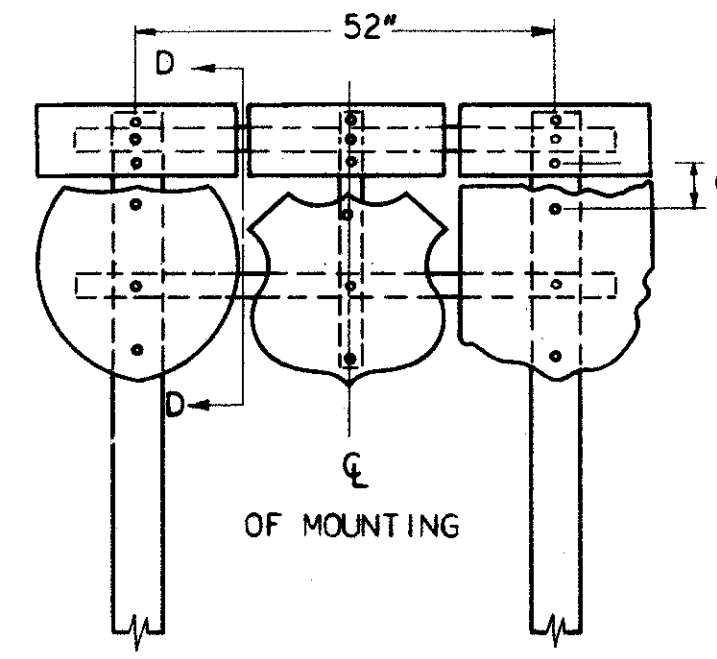
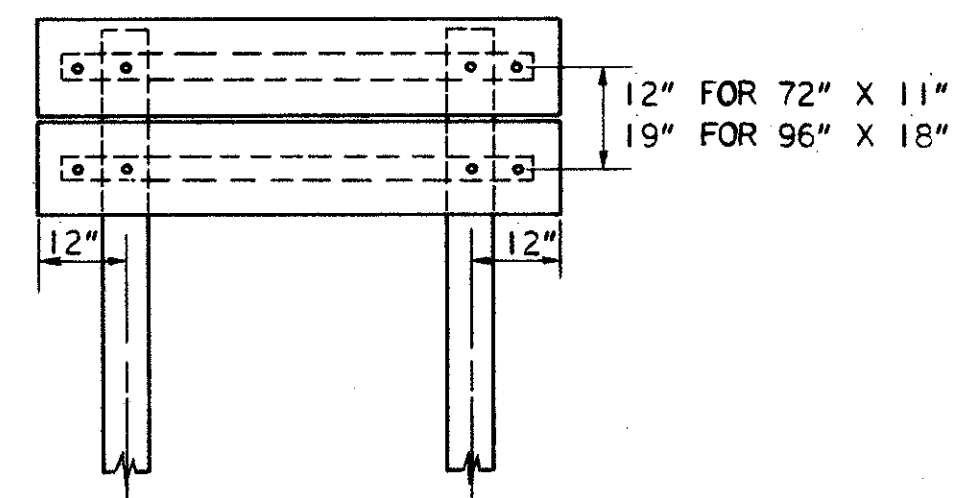
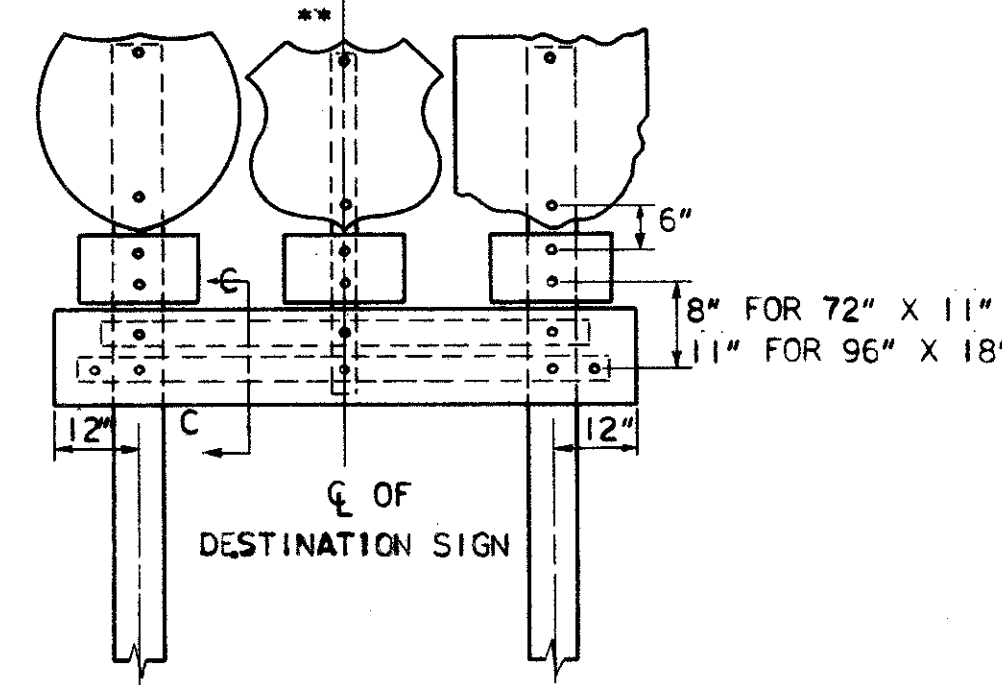
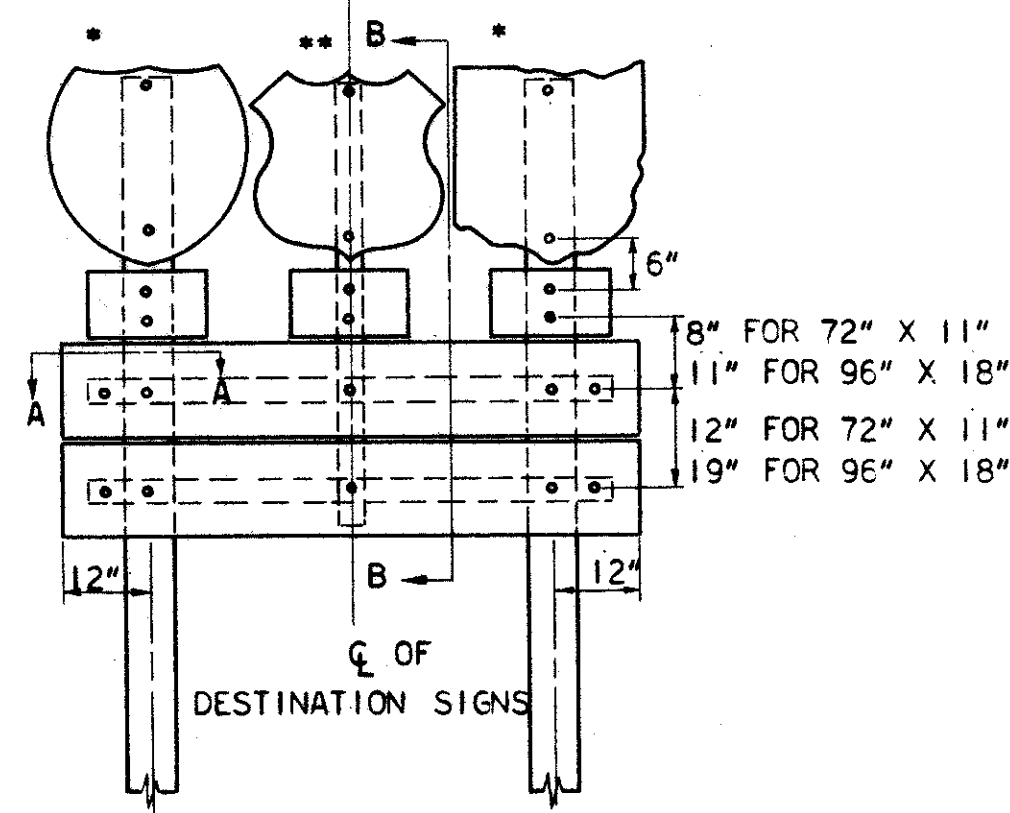
THREE CARDINAL
DIRECTION ASSEMBLIES

TWO CARDINAL
DIRECTION ASSEMBLIES

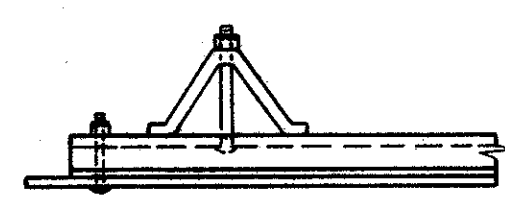
TWO JUNCTION
ASSEMBLIES

SIGNS WITH TWO BOLT HOLES
MOUNTED ON ONE SUPPORT

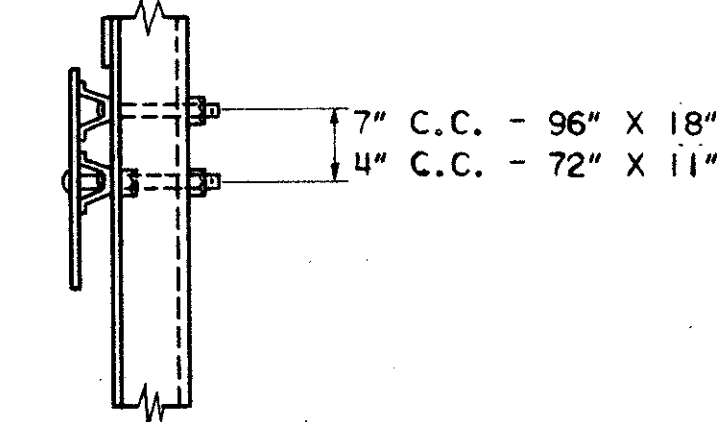
SIGNS MOUNTED
BACK TO BACK



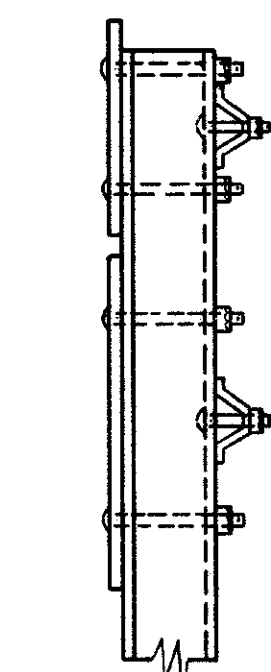
*POSITION OF ROUTE MARKERS WHEN TWO ARE REQUIRED.
**POSITION OF ROUTE MARKER WHEN ONE IS REQUIRED.



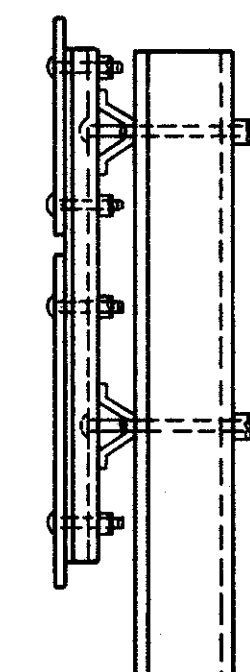
SECTION A-A



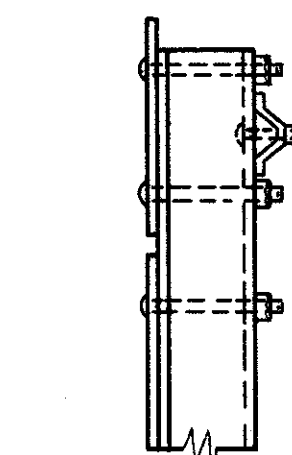
SECTION C-C



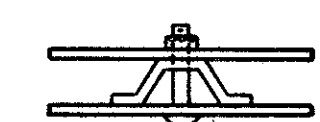
SECTION D-D



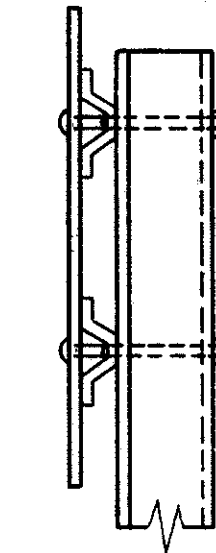
SECTION E-E



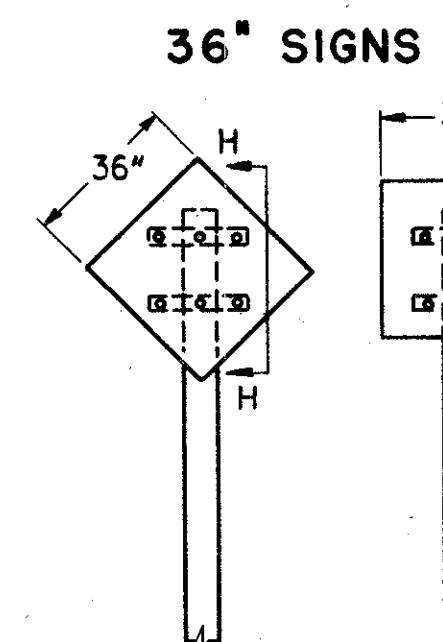
SECTION F-F



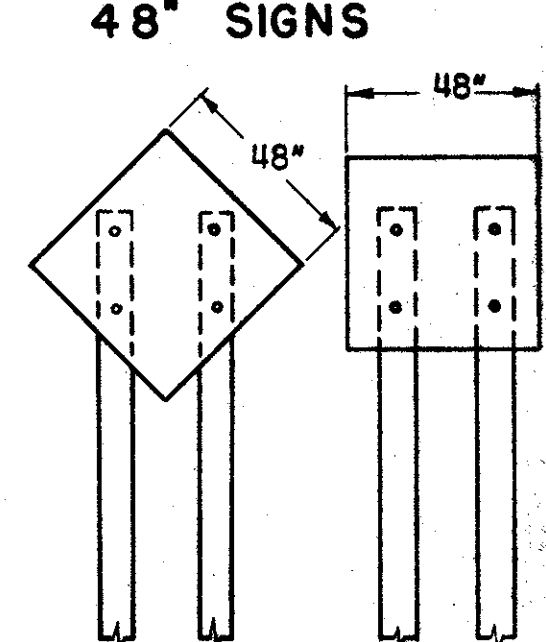
SECTION G-G



SECTION H-H



36" SIGNS



48" SIGNS

NOTES:

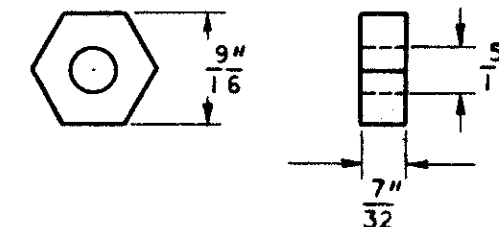
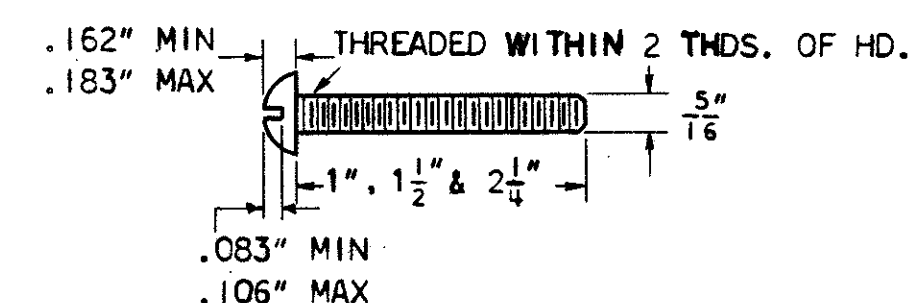
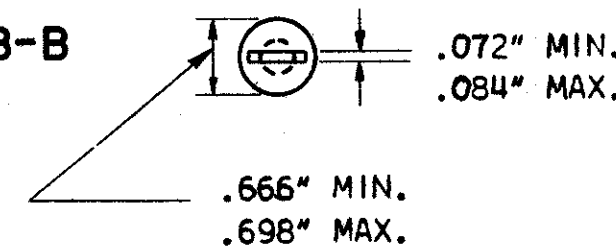
- BOLT HOLE INFORMATION FOR SIGNS IS INDICATED ON SIGN DESIGN SHEETS.
- NUTS, SCREWS AND WASHERS SHALL BE ALUMINUM. WASHERS SHALL BE USED ON THE SIGN FACE ONLY. ALL HARDWARE SHALL CONFORM TO THE SPECIFICATIONS.
- ALL ROUTE MARKERS ARE 24" X 24"
- ALL DESTINATION SIGNS ARE 72" X 11" AND 96" X 18".
- ALL SUPPORTS AND BACK BRACING SHALL BE STEEL DRIVE POST.
- SIZES OF DRIVE POSTS ARE INDICATED IN THE ALIGNMENT SHEET QUANTITIES.
- FOR DRIVE POST DETAILS SEE SUPPLEMENTAL SPECIFICATION NO. M 107.18.
- THE TOP OF VERTICAL SUPPORTS AND BRACING WILL ALWAYS BE BELOW TOP EDGE OF UPPERMOST SIGN.

ALUMINUM SCREW, NUT AND WASHER DETAILS

TRUSS, BUTTON, OVEN OR STOVE HEAD MACHINE SCREW

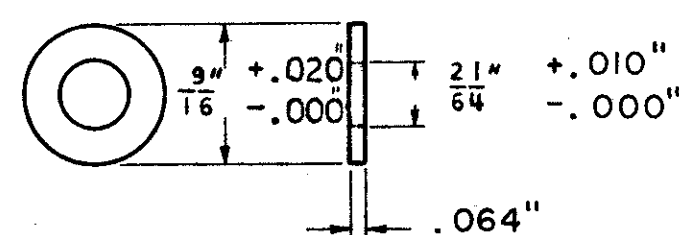
HEXAGON MACHINE SCREW NUTS

SECTION B-B



SCREW AND NUT
2024-T4 ALUM.
18 THDS/IN.
SCREW DIM. B-18.6 AM. STD.
NUT DIM. B-18.2 AM. STD.

WASHER DETAILS



MATERIAL:
2024-T4 ALUM.