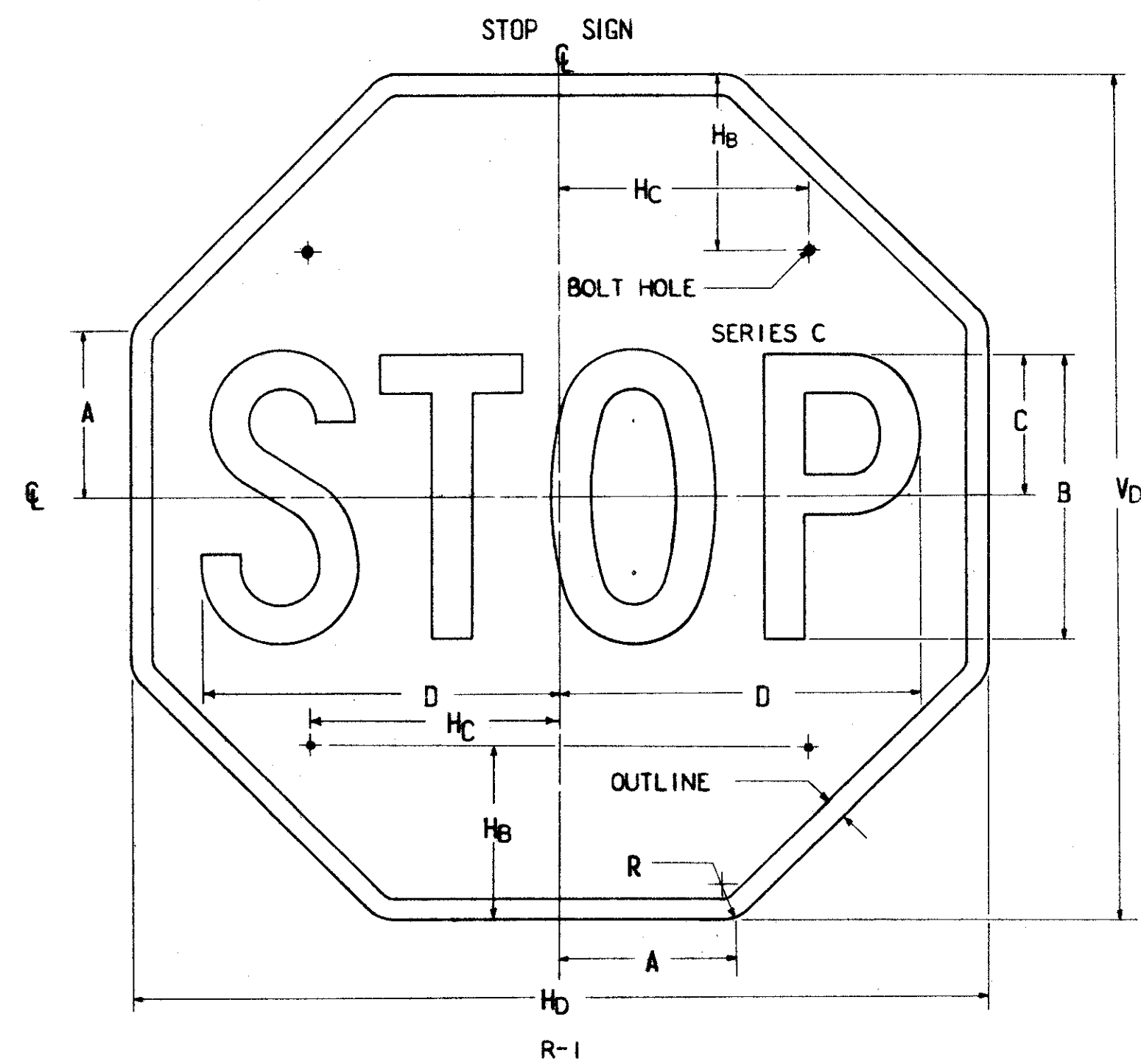
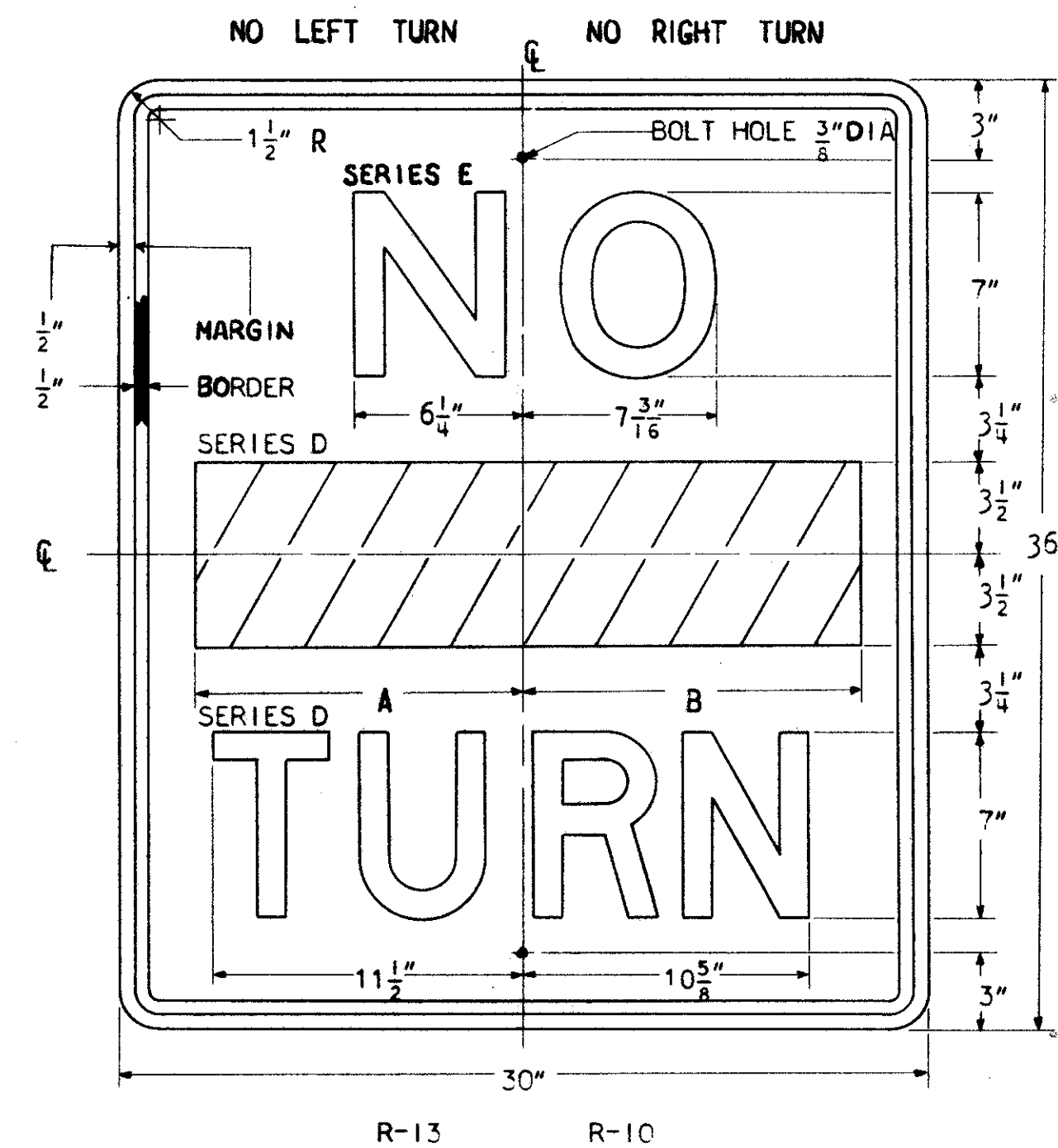


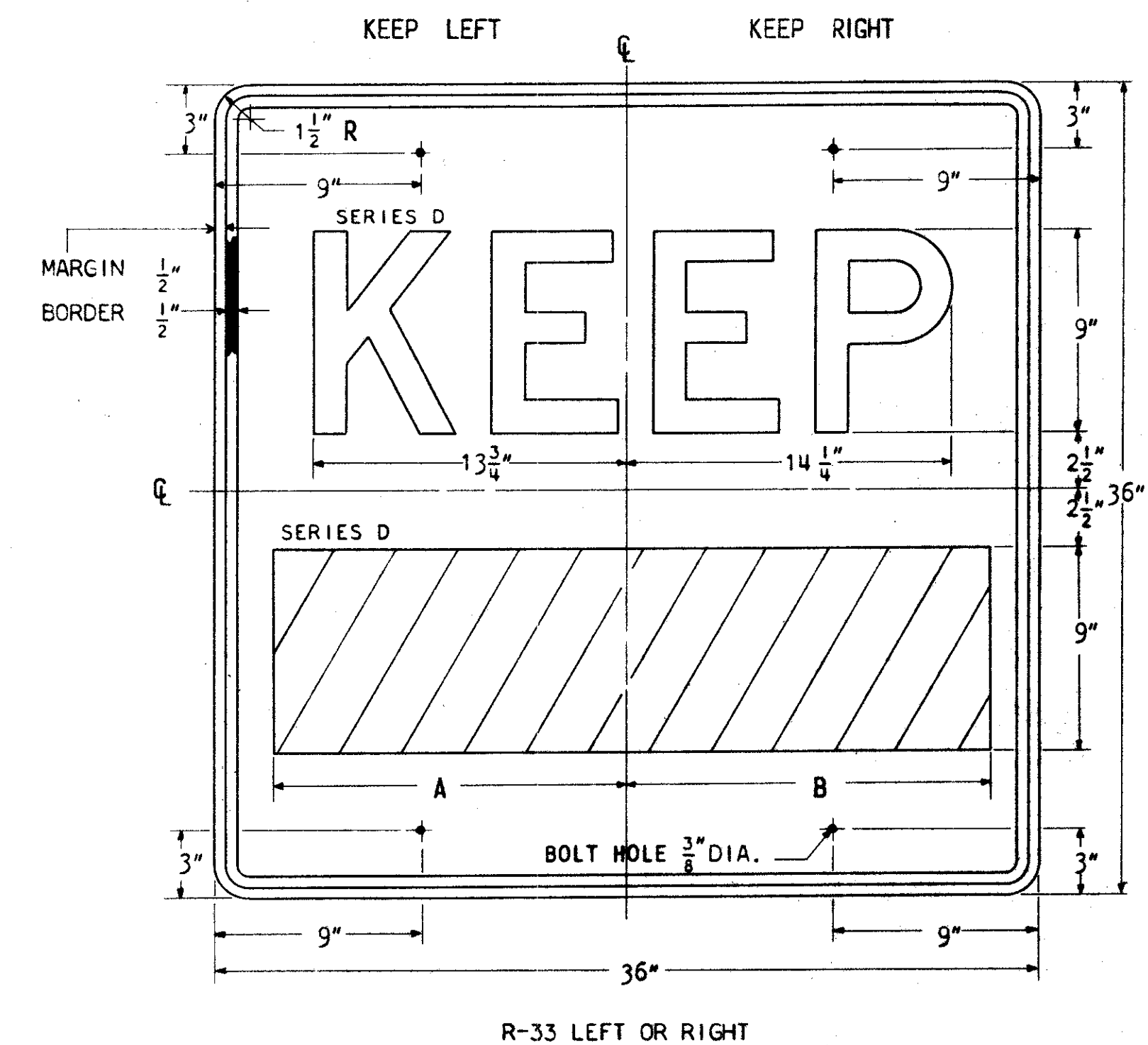
LAKE COUNTY  
ASHTABULA COUNTY  
LAK.-1-12.89  
ATB.-1-0.00



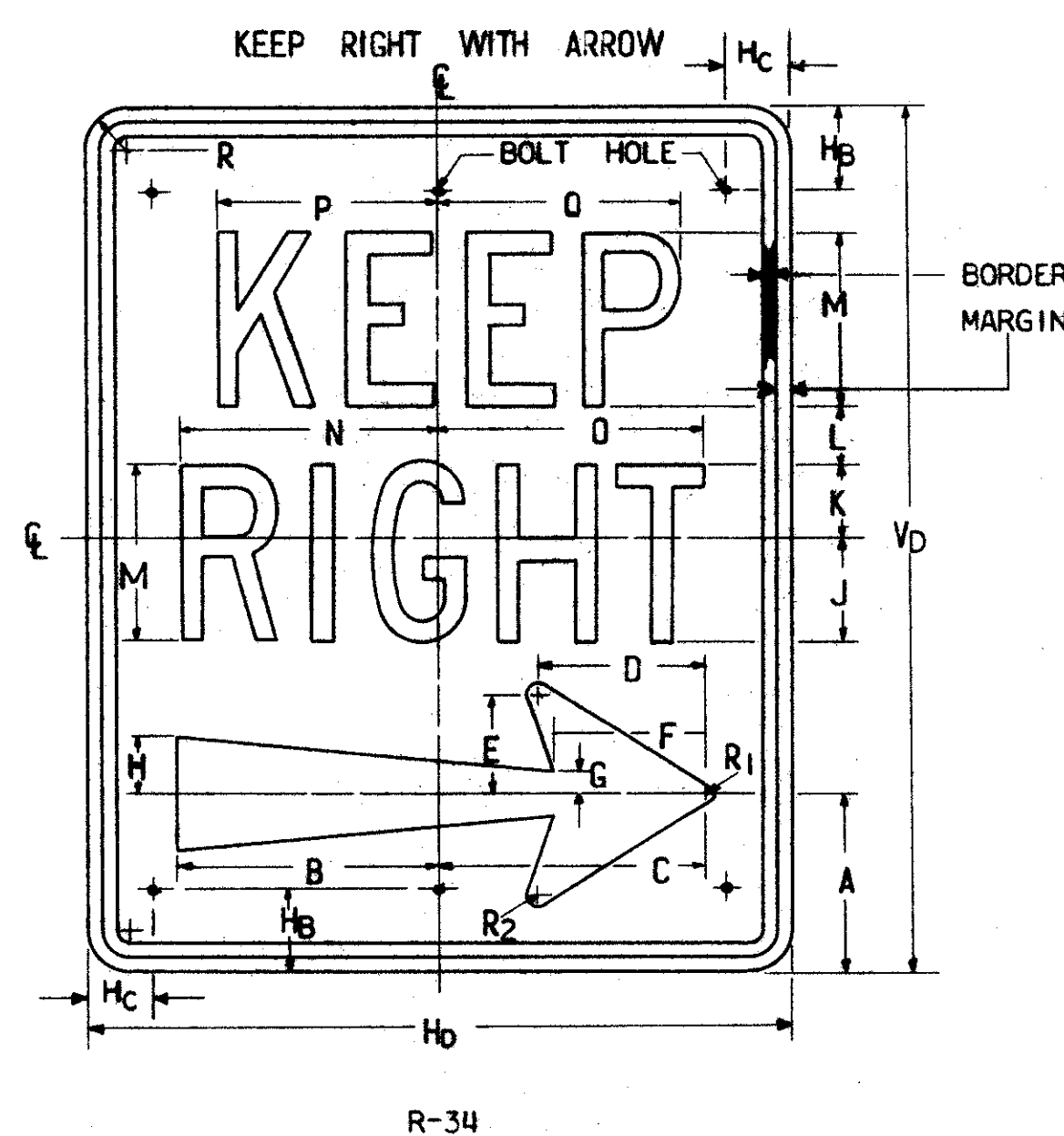
CODE NUMBER	PLATE				OUTLINE	BOLT HOLES			LEGEND		
	Hd	Vd	A	R		DIA.	Hb	Hc	B	C	D
R-1-36	36"	36"	7 <sup>2</sup> / <sub>4</sub>	1 <sup>1</sup> / <sub>2</sub>	7 <sup>7</sup> / <sub>8</sub>	3 <sup>3</sup> / <sub>8</sub>	7 <sup>1</sup> / <sub>2</sub>	10 <sup>1</sup> / <sub>2</sub>	12	6	15 <sup>3</sup> / <sub>16</sub>
R-1-48	48"	48"	9 <sup>1</sup> / <sub>16</sub>	1 <sup>1</sup> / <sub>2</sub>	1 <sup>1</sup> / <sub>4</sub>	3 <sup>3</sup> / <sub>8</sub>	10	14	16	8	20 <sup>1</sup> / <sub>4</sub>



LEGEND	CODE NUMBER	LEGEND	
		A	B
NO LEFT TURN	R-13-3C	9 <sup>1</sup> / <sub>2</sub>	10 <sup>3</sup> / <sub>16</sub>
NO RIGHT TURN	R-10-3C	12 <sup>3</sup> / <sub>32</sub>	12 <sup>19</sup> / <sub>32</sub>



LEGEND	CODE NUMBER	LEGEND	
		A	B
KEEP LEFT	R-33-36	12 <sup>3</sup> / <sub>8</sub>	12 <sup>7</sup> / <sub>8</sub>
KEEP RIGHT	R-33-36	15 <sup>7</sup> / <sub>16</sub>	15 <sup>1</sup> / <sub>8</sub>



CODE NUMBER	PLATE					BOLT HOLES			ARROW										LEGEND										LETTER SERIES
	Hd	Vd	R	MARGIN	BORDER	DIA.	Hb	Hc	A	B	C	D	E	F	G	H	R <sub>1</sub>	R <sub>2</sub>	J	K	L	M	N	O	P	Q			
R-34-24	24	30	1 <sup>1</sup> / <sub>2</sub>	1 <sup>1</sup> / <sub>2</sub>	1 <sup>1</sup> / <sub>2</sub>	3 <sup>3</sup> / <sub>8</sub>	3	—	6 <sup>1</sup> / <sub>4</sub>	8 <sup>7</sup> / <sub>8</sub>	9 <sup>1</sup> / <sub>16</sub>	5 <sup>3</sup> / <sub>4</sub>	3 <sup>7</sup> / <sub>16</sub>	5 <sup>3</sup> / <sub>16</sub>	3 <sup>3</sup> / <sub>4</sub>	2	3 <sup>3</sup> / <sub>16</sub>	5 <sup>5</sup> / <sub>16</sub>	3 <sup>1</sup> / <sub>2</sub>	2 <sup>1</sup> / <sub>2</sub>	2	6	8 <sup>13</sup> / <sub>16</sub>	9 <sup>1</sup> / <sub>16</sub>	7 <sup>1</sup> / <sub>2</sub>	8 <sup>3</sup> / <sub>16</sub>	C		
R-34-36	36	42	1 <sup>1</sup> / <sub>2</sub>	5 <sup>5</sup> / <sub>8</sub>	5 <sup>5</sup> / <sub>8</sub>	3 <sup>3</sup> / <sub>8</sub>	4	3	9 <sup>1</sup> / <sub>4</sub>	13 <sup>1</sup> / <sub>16</sub>	13 <sup>19</sup> / <sub>32</sub>	8 <sup>5</sup> / <sub>8</sub>	5 <sup>5</sup> / <sub>32</sub>	7 <sup>25</sup> / <sub>32</sub>	1 <sup>1</sup> / <sub>8</sub>	3	9 <sup>9</sup> / <sub>32</sub>	1 <sup>5</sup> / <sub>32</sub>	4	5	3	9	13 <sup>7</sup> / <sub>32</sub>	13 <sup>1</sup> / <sub>32</sub>	11 <sup>1</sup> / <sub>4</sub>	12 <sup>9</sup> / <sub>32</sub>	C		
R-34-48	48	60	3	3 <sup>3</sup> / <sub>4</sub>	7 <sup>7</sup> / <sub>8</sub>	3 <sup>3</sup> / <sub>8</sub>	9	6	12 <sup>1</sup> / <sub>2</sub>	17 <sup>3</sup> / <sub>4</sub>	18 <sup>1</sup> / <sub>8</sub>	11 <sup>1</sup> / <sub>2</sub>	6 <sup>7</sup> / <sub>8</sub>	10 <sup>3</sup> / <sub>8</sub>	1 <sup>1</sup> / <sub>2</sub>	4	3 <sup>3</sup> / <sub>8</sub>	5 <sup>5</sup> / <sub>8</sub>	7	5	4	12	17 <sup>5</sup> / <sub>8</sub>	18 <sup>1</sup> / <sub>8</sub>	15	16 <sup>1</sup> / <sub>2</sub>	C		

NOTE: THE 24" X 30" PLATE IS FABRICATED WITH TWO BOLT HOLES ON THE VERTICAL CENTER LINE AND THE 36" X 42" AND 48" X 60" PLATES ARE FABRICATED WITH FOUR CORNER BOLT HOLES.

ALL DIMENSIONS ARE IN INCHES.