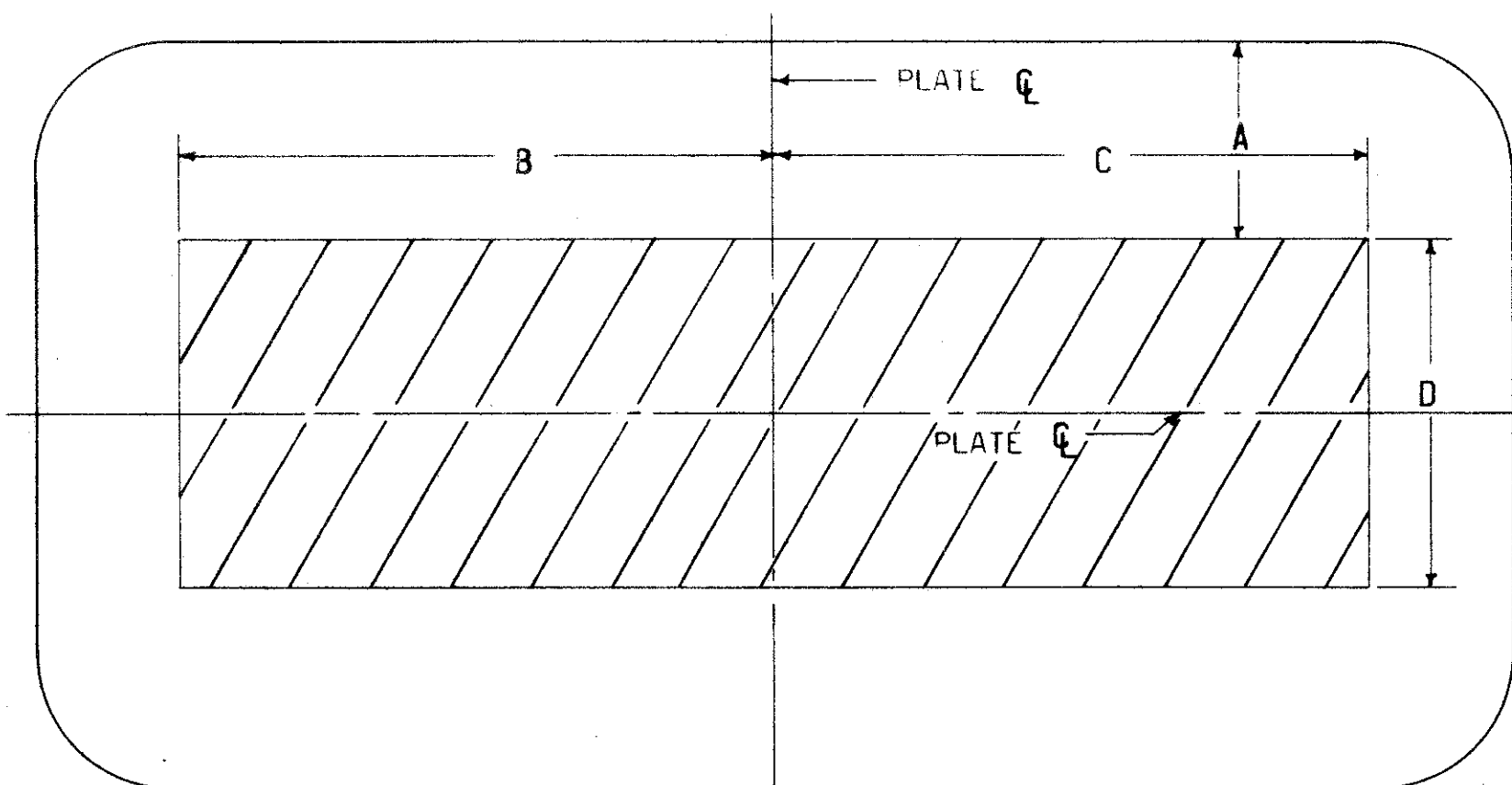
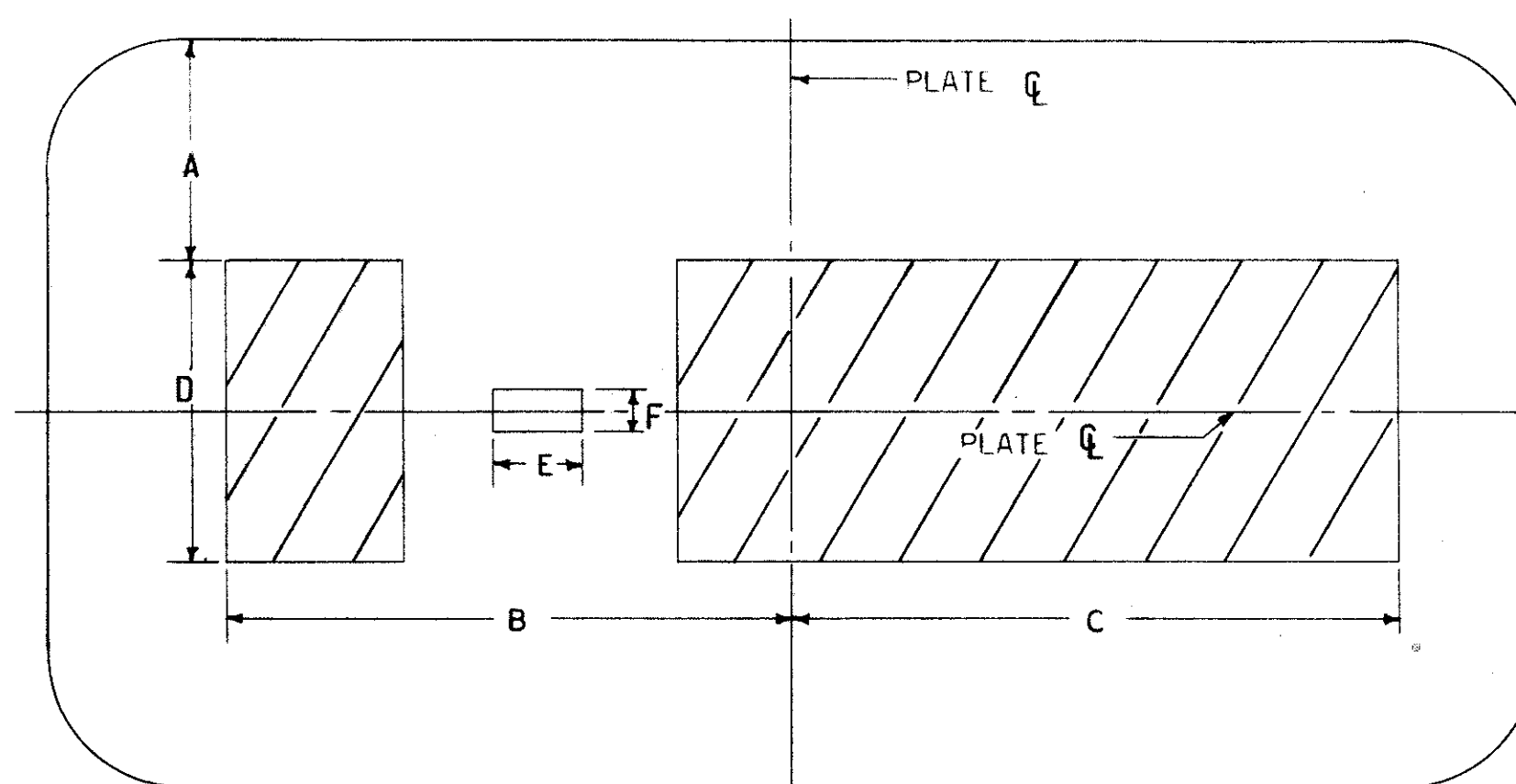


CARDINAL DIRECTION MARKER



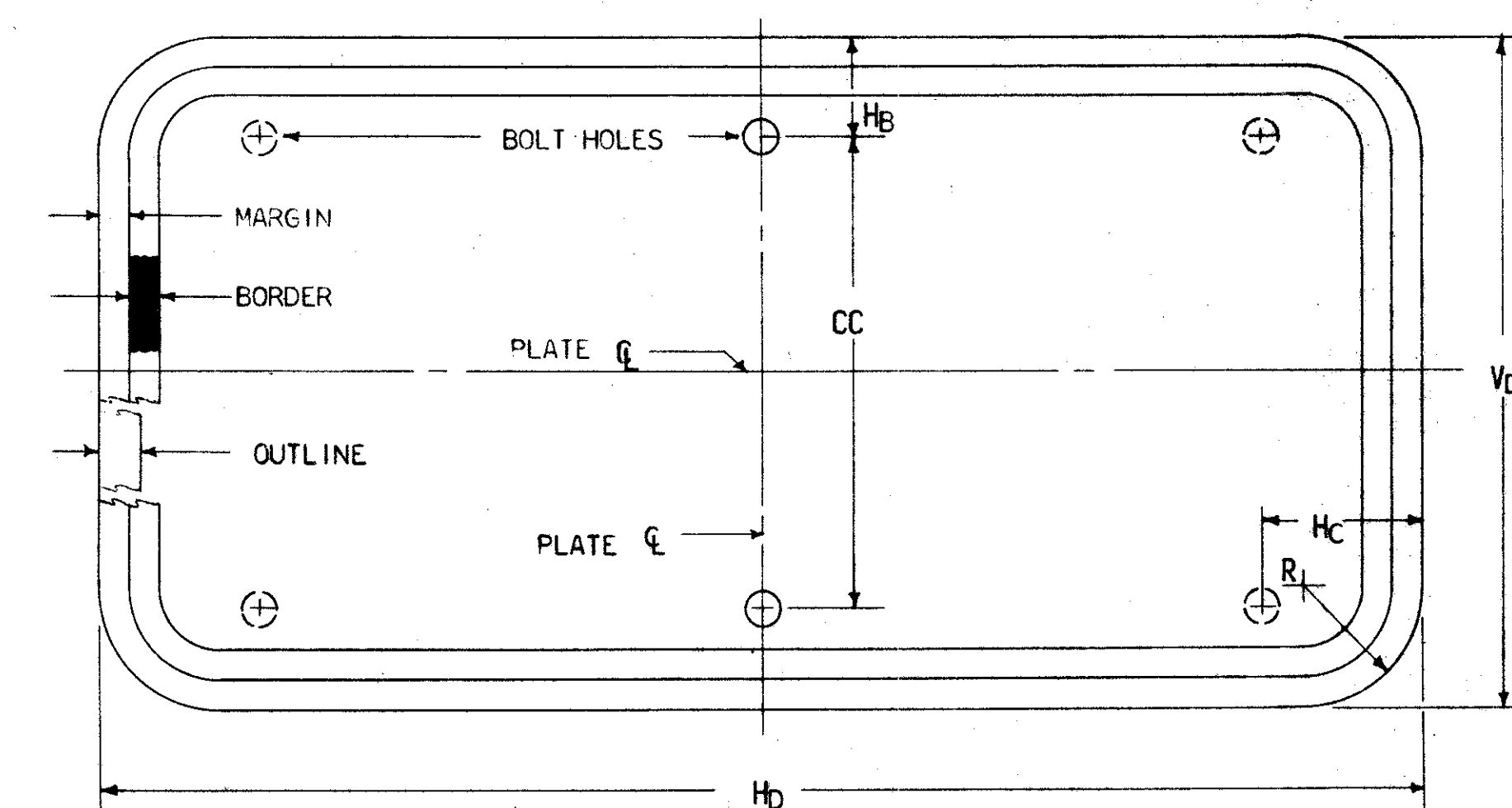
M-37 IM-37
M-38 IM-38
M-39 IM-39
M-40 IM-40

CARDINAL DIRECTION MARKER



M-41 IM-41
M-42 IM-42
M-43 IM-43
M-44 IM-44

JUNCTION AND CARDINAL DIRECTION MARKER PLATE



LEGEND	CODE NUMBER	LEGEND DIMENSIONS				LETTER SERIES
		A	B	C	D	
NORTH	M-37-16 N IM-37-16 N	2 1/4	6 23/32	6 23/32	4	C
	M-37-24 N IM-37-24 N	3	9 33/32	9 33/32	6	C
	M-37-36 N IM-37-36 N	5	15 1/16	15 1/16	8	C
SOUTH	M-38-16 S IM-38-16 S	2 1/4	6 3/4	6 3/8	4	C
	M-38-24 S IM-38-24 S	3	10 1/4	9 15/32	6	C
	M-38-36 S IM-38-36 S	5	15 1/2	14 1/4	8	C
EAST	M-39-16 E IM-39-16 E	2 1/4	4 11/32	5 1/16	4	C
	M-39-24 E IM-39-24 E	3	6 23/32	7 3/8	6	C
	M-39-36 E IM-39-36 E	5	10 7/32	11 1/32	8	C
WEST	M-40-16 W IM-40-16 W	2 1/4	5 3/8	5 13/32	4	C
	M-40-24 W IM-40-24 W	3	7 3/4	8 1/8	6	C
	M-40-36 W IM-40-36 W	5	11 1/16	12 3/8	8	C

LEGEND	CODE NUMBER	LEGEND DIMENSIONS						LETTER SERIES
		A	B	C	D	E	F	
N-WEST	M-41-16NW IM-41-16NW	2 1/2	6 1/4	6 11/16	3 1/2	1	1/2	C
	M-41-24NW IM-41-24NW	3	10 1/4	10 7/16	6	1 1/4	1 3/16	C
	M-41-36NW IM-41-36NW	5	15 7/16	15 1/8	8	1 7/8	1 3/32	C
N-EAST	M-42-16NE IM-42-16NE	2 1/4	6 1/2	7	4	1	1/2	C
	M-42-24NE IM-42-24NE	3	10	10 7/16	6	1 5/16	7/8	C
	M-42-36NE IM-42-36NE	5	15 1/8	15 13/16	8	1 9/16	1 3/32	C
S-WEST	M-43-16SW IM-43-16SW	2 1/2	6 1/8	6 7/16	3 1/2	1	1/2	C
	M-43-24SW IM-43-24SW	3	10 1/2	10 7/16	6	1 5/16	1 3/16	C
	M-43-36SW IM-43-36SW	5	15 3/8	16 1/8	8	1 7/8	1 3/32	C
S-EAST	M-44-16SE IM-44-16SE	2 1/4	6 1/2	6 11/16	4	1	1/2	C
	M-44-24SE IM-44-24SE	3	10 1/16	10 7/16	6	1 5/16	7/8	C
	M-44-36SE IM-44-36SE	5	15 1/8	15 13/16	8	1 9/16	1 3/32	C

CODE NUMBER	ROUTE MARKER SIZE	PLATE DIMENSIONS				BOLT HOLES				
		H _D	V _D	R	MARGIN	BORDER	DIA.	H _B	H _C	CC
M-(**)-16	16"	15 1/2	8 1/2	1 1/2	3/8	3/8	3/8	1 1/4	—	6
M-(**)-24	24"	24	12	1 1/2	3/8	3/8	3/8	1 1/2	—	9
M-(**)-36	36"	36	18	1 1/2	1/2	1/2	3/8	1 1/2	9	15
IM-(**)-16	16"	16 1/2	8 1/2	1 1/2	—	OUTLINE 1/2	3/8	1 1/4	—	6
IM-(**)-24	24"	24	12	1 1/2	—	OUTLINE 3/4	3/8	1 1/2	—	9
IM-(**)-36	36"	36	18	1 1/2	—	OUTLINE 1	3/8	1 1/2	9	15

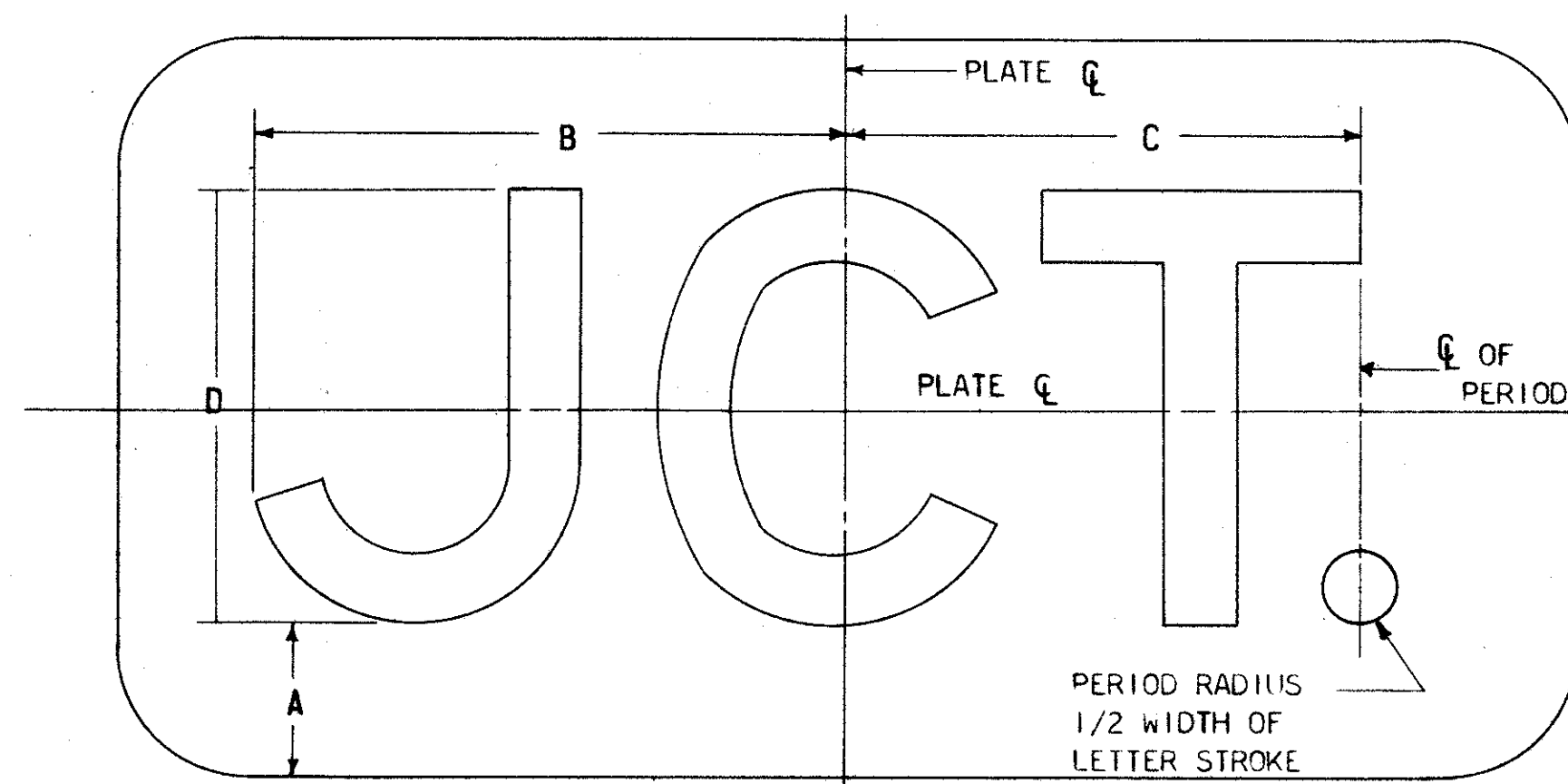
(**) VARIES WITH TYPE LEGEND OR SYMBOL ON PLATE.

NOTES:
THE JUNCTION OR CARDINAL DIRECTION MARKER IS MOUNTED DIRECTLY ABOVE THE APPROPRIATE ROUTE MARKER FORMING A JUNCTION OR CARDINAL DIRECTION ASSEMBLY.
THE 16-1/2" X 8-1/2" AND 24" X 12" PLATES ARE FABRICATED WITH TWO BOLT HOLES ON THE VERTICAL CENTER LINE AND THE 36" X 18" PLATE IS FABRICATED WITH FOUR CORNER BOLT HOLES.

JUNCTION OR CARDINAL DIRECTION MARKERS MOUNTED ABOVE INTERSTATE ROUTE MARKERS WILL HAVE A WHITE LEGEND AND OUTLINE ON A BLUE BACKGROUND AND A CODE NUMBER PRECEDED BY THE LETTER I.

ALL DIMENSIONS ARE IN INCHES.

JUNCTION MARKER



M-17 IM-17

CODE NUMBER	LEGEND DIMENSIONS				LETTER SERIES
	A	B	C	D	
M-17-16 IM-17-16	1 3/4	6 3/4	5 13/16	5	E
M-17-24 IM-17-24	2	9 1/16	8 7/16	8	D
M-17-36 IM-17-36	3	14	13 1/2	12	D