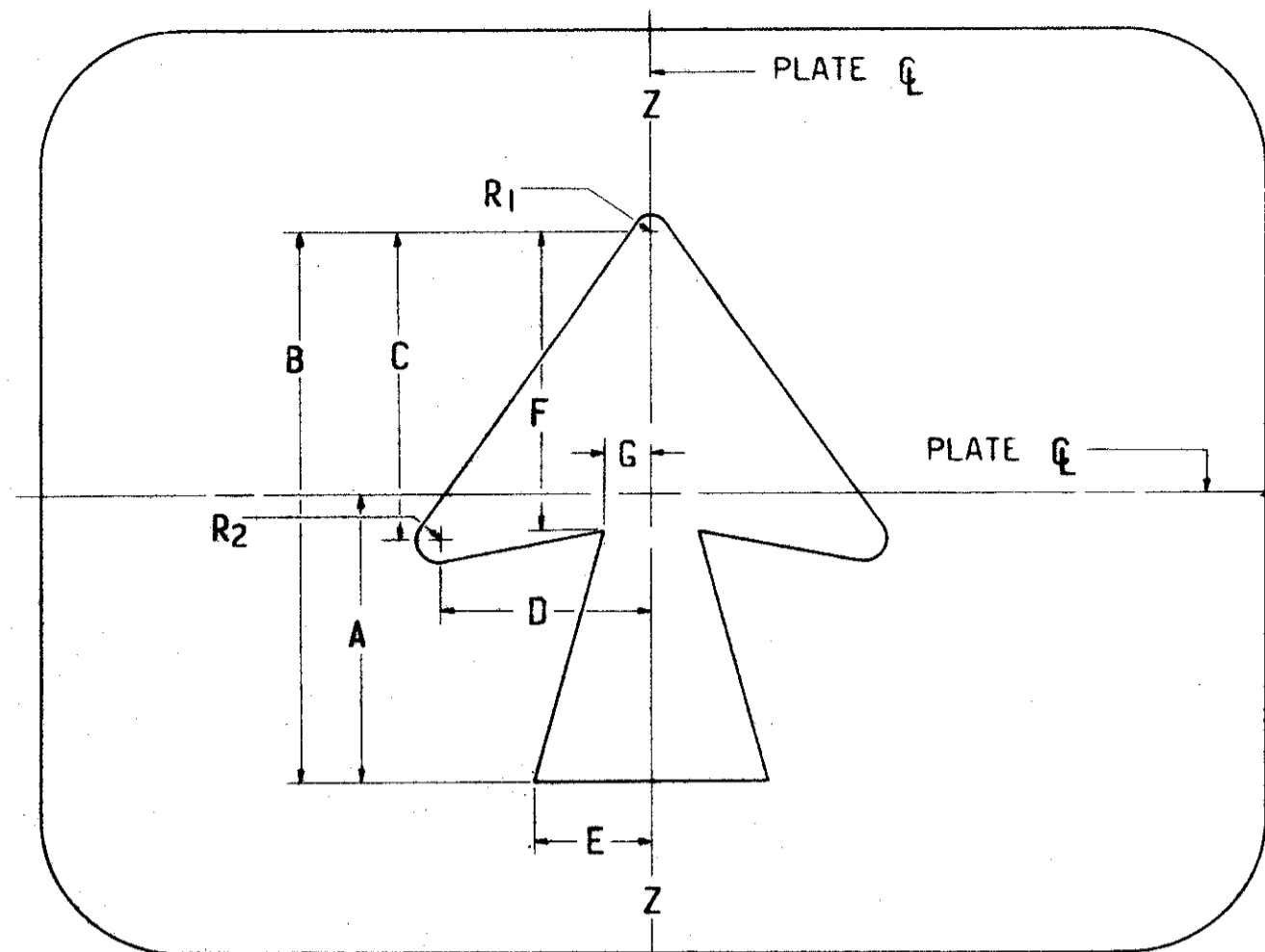


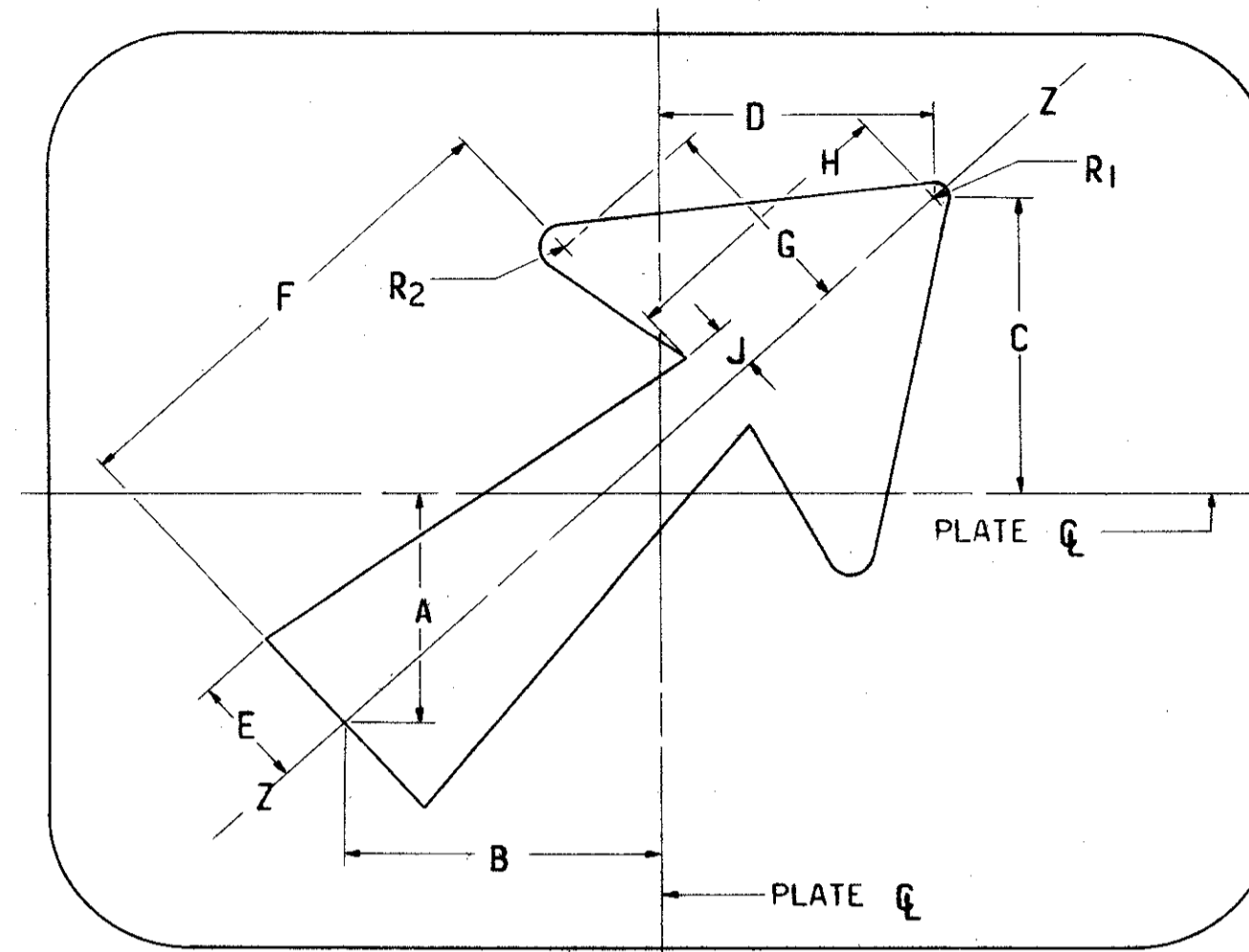
VERTICAL DIRECTIONAL ARROW



M-26

CODE NUMBER	ARROW DIMENSIONS										
	A	B	C	D	E	F	G	R ₁	R ₂		
M-26-13	3 1/8	5 15/16	3 5/16	2 1/4	1 1/4	3 1/8	1/2	3/16	1/4		
M-26-20	5 1/4	10	5	3 7/16	1 7/8	4 5/8	3/4	1/4	5/16		
M-26-30	9 1/4	18 1/8	8 5/16	5 1/2	3	7 1/16	1 7/32	3/8	1 7/32		

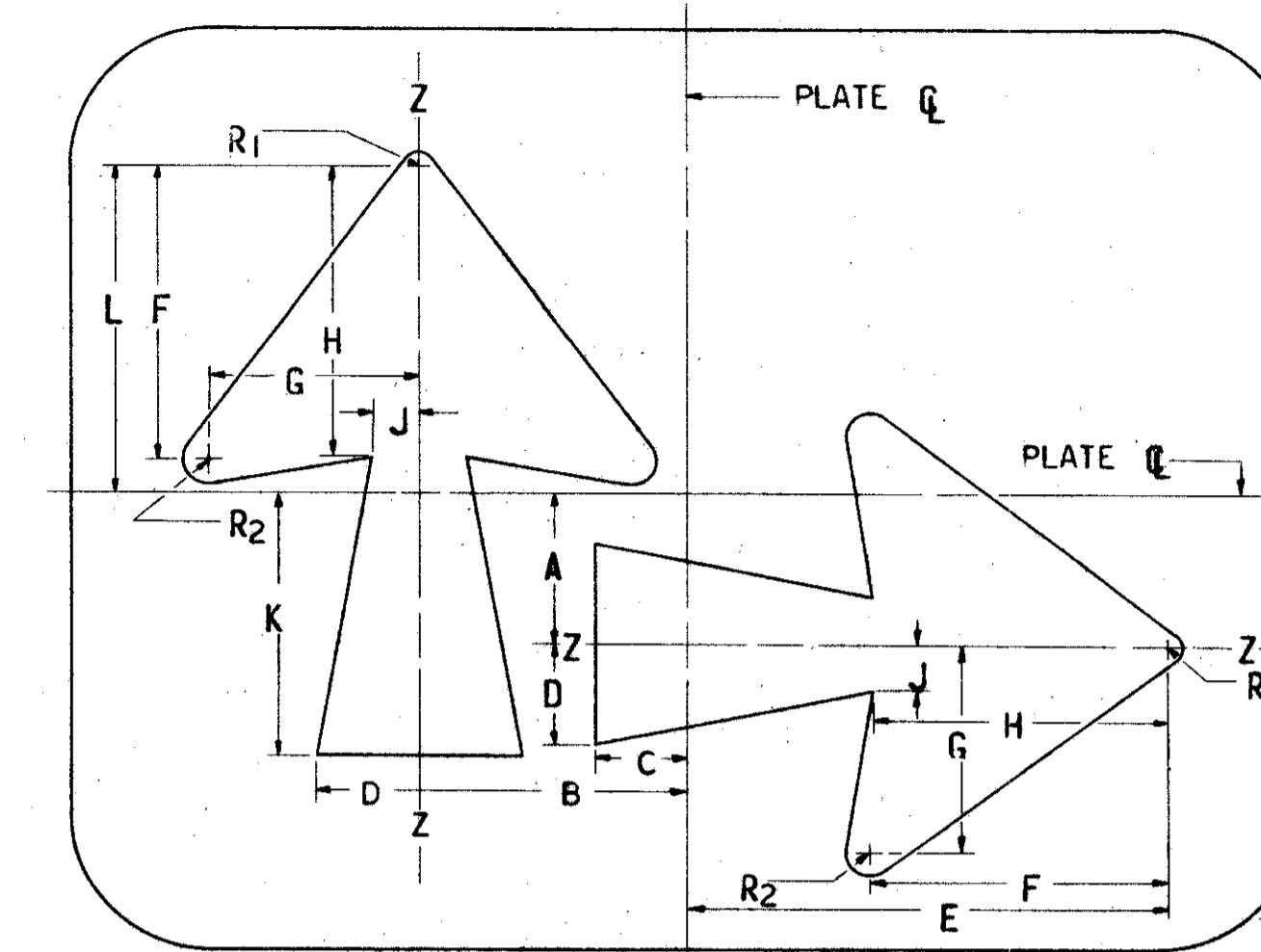
SLANTING VERTICAL DIRECTIONAL ARROW



M-27 RIGHT
*M-28 LEFT

CODE NUMBER	ARROW DIMENSIONS											
	A	B	C	D	E	F	G	H	J	R ₁	R ₂	
M-27-13	2 1/2	3 3/8	3 7/32	2 15/16	1 1/4	5 7/32	2 1/4	3 1/8	1/2	5/32	1/4	
M-27-20	3 3/4	5 3/32	4 9/16	4 1/8	1 7/8	7 7/16	3 1/2	4 5/8	3/4	1/4	1 1/32	
M-27-30	6	8 5/32	7 3/8	6 1/16	3	11 15/16	5 9/16	7 7/16	1 3/8	3/8	1 7/32	

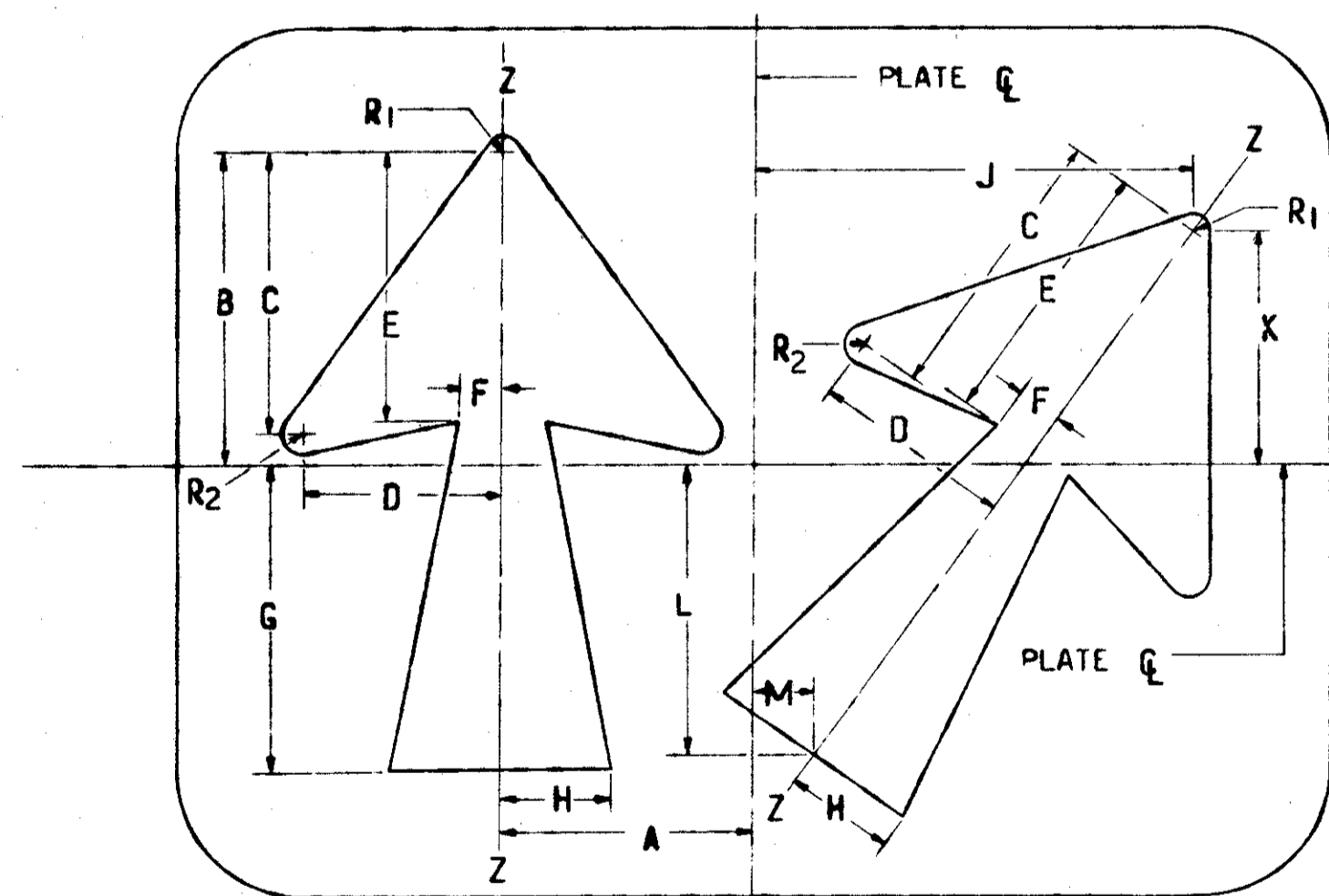
TWO DIRECTIONAL ARROW



M-29 VERTICAL RIGHT
*M-30 VERTICAL LEFT

CODE NUMBER	ARROW DIMENSIONS													
	A	B	C	D	E	F	G	H	J	K	L	R ₁	R ₂	
M-29-13	1 5/8	2 27/32	3 1/32	1 3/32	5 1/8	3 3/16	2 1/4	3 5/32	1/2	2 27/32	3 17/32	5/32	1/4	
M-29-20	2 5/16	4 3/16	1 3/8	1 1/16	8 3/32	5	3 7/16	4 5/8	3/4	4 7/32	5 5/8	1/4	1 1/32	
M-29-30	3 25/32	7 3/16	2 23/32	2 1/16	12 1/2	8	5 1/16	7 3/8	1 7/32	6 3/4	8 5/8	3/8	1 7/32	

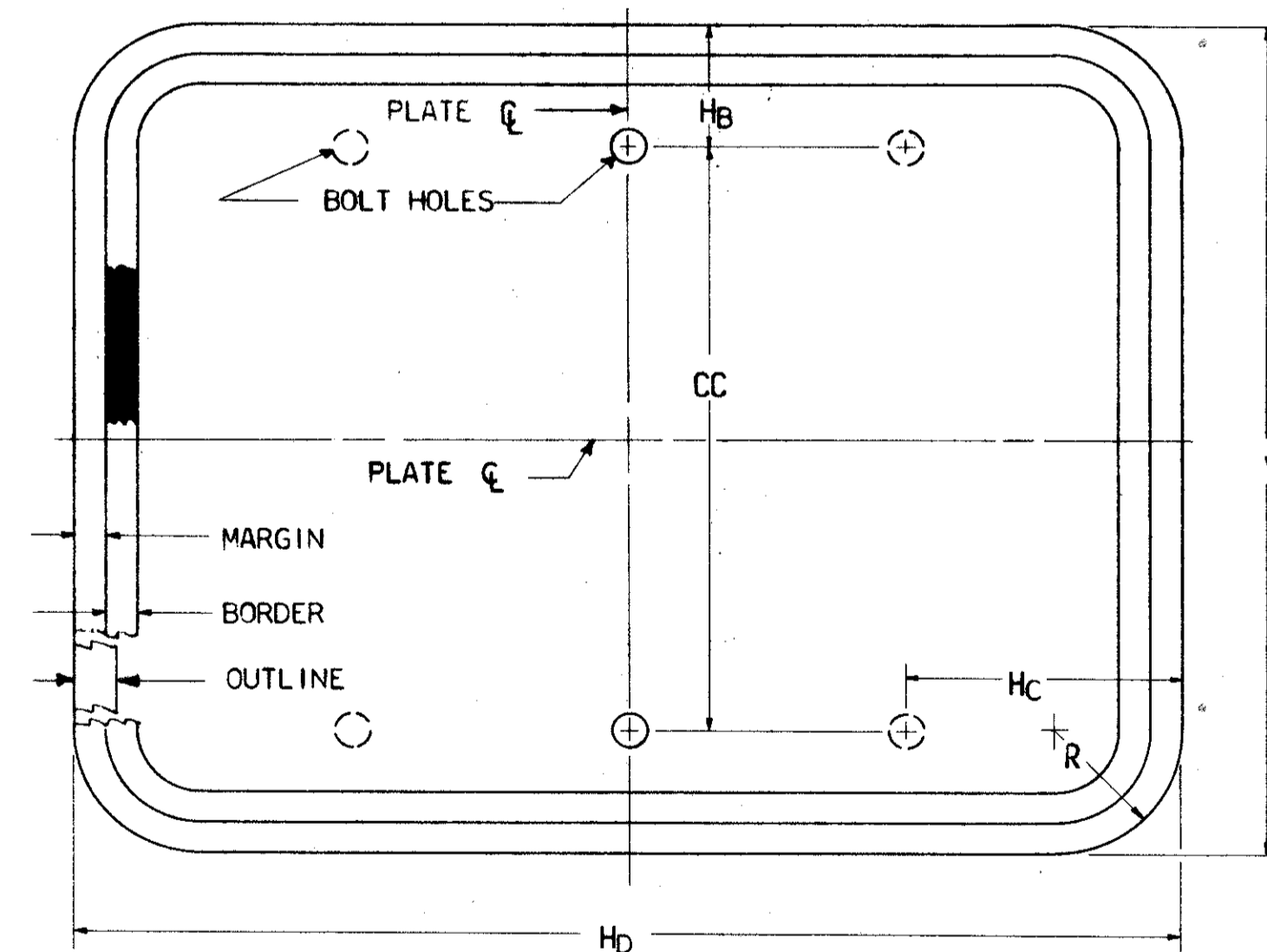
TWO DIRECTIONAL ARROW



M-31 VERTICAL - RIGHT SLANTING VERTICAL
*M-32 VERTICAL - LEFT SLANTING VERTICAL

CODE NUMBER	ARROW DIMENSIONS													
	A	B	C	D	E	F	G	H	J	K	L	M	R ₁	R ₂
M-31-13	2 27/32	3 9/16	3 7/32	2 1/4	3 3/32	1 1/2	3 1/2	1 1/4	4 15/16	2 21/32	3 5/16	1 1/16	3/16	1/4
M-31-20	4 9/32	5 17/32	4 31/32	3 7/16	4 19/32	3/4	5 1/2	1 7/8	7 11/32	4 3/32	5 1/8	1	1/4	2 1/64
M-31-30	6 7/8	8 15/16	8	5 17/32	7 13/32	1 3/16	8 3/8	3	11 13/16	6 17/32	9 1/4	1 1/2	3/8	1 7/32

ARROW PLATE



CODE NUMBER	ROUTE MARKER SIZE	ARROW PLATE DIMENSIONS					BOLT HOLES			
		MARGIN	BORDER	H _D	V _D	R	DIA.	H _B	CC	H _C
M-(**)-13	16"	3/8	3/8	13	10	1 1/2	3/8	1 1/2	7	—
M-(**)-20	24"	3/8	3/8	20	15	1 1/2	3/8	1 1/2	12	—
M-(**)-30	36"	1/2	1/2	30	24	1 1/2	3/8	1 1/2	21	6

** VARIES WITH TYPE ARROW ON PLATE.

NOTES:

THE ARROW PLATES ARE MOUNTED BELOW THE APPROPRIATE ROUTE MARKER FORMING A MARKING ASSEMBLY.

THE 13" X 10" AND 20" X 15" PLATES WILL BE FABRICATED WITH TWO BOLT HOLES IN THE VERTICAL CENTER LINE AND THE 30" X 24" PLATE WILL BE FABRICATED WITH FOUR CORNER BOLT HOLES.

* ROTATE GIVEN DESIGN 180° ABOUT VERTICAL PLATE CENTER LINE.

ARROWS ARE SYMMETRICAL ABOUT ARROW AXIS (Z-Z).

ALL DIMENSIONS ARE IN INCHES.

ARROW PLATES MOUNTED BELOW INTERSTATE ROUTE MARKERS WILL HAVE A WHITE LEGEND AND OUTLINE ON A BLUE BACKGROUND AND A CODE NUMBER PRECEDED BY THE LETTER "I".

USE FOLLOWING TABLE WHEN "I" PRECEDES ANY OF THE ABOVE CODE NUMBERS.

CODE NUMBER	ROUTE MARKER SIZE	OUTLINE
IM-(**)-13	16"	1/2
IM-(**)-20	24"	3/4
IM-(**)-30	36"	1