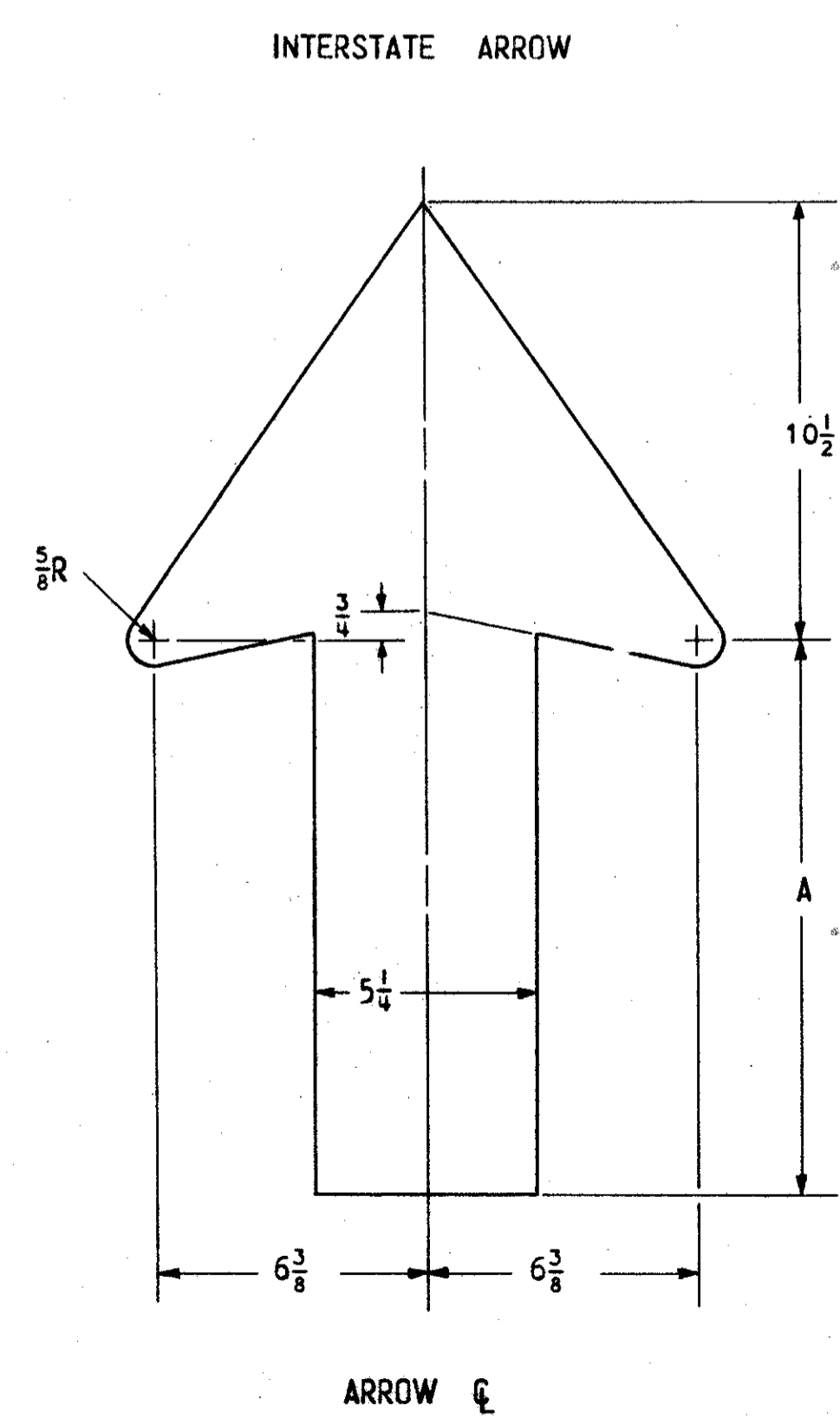
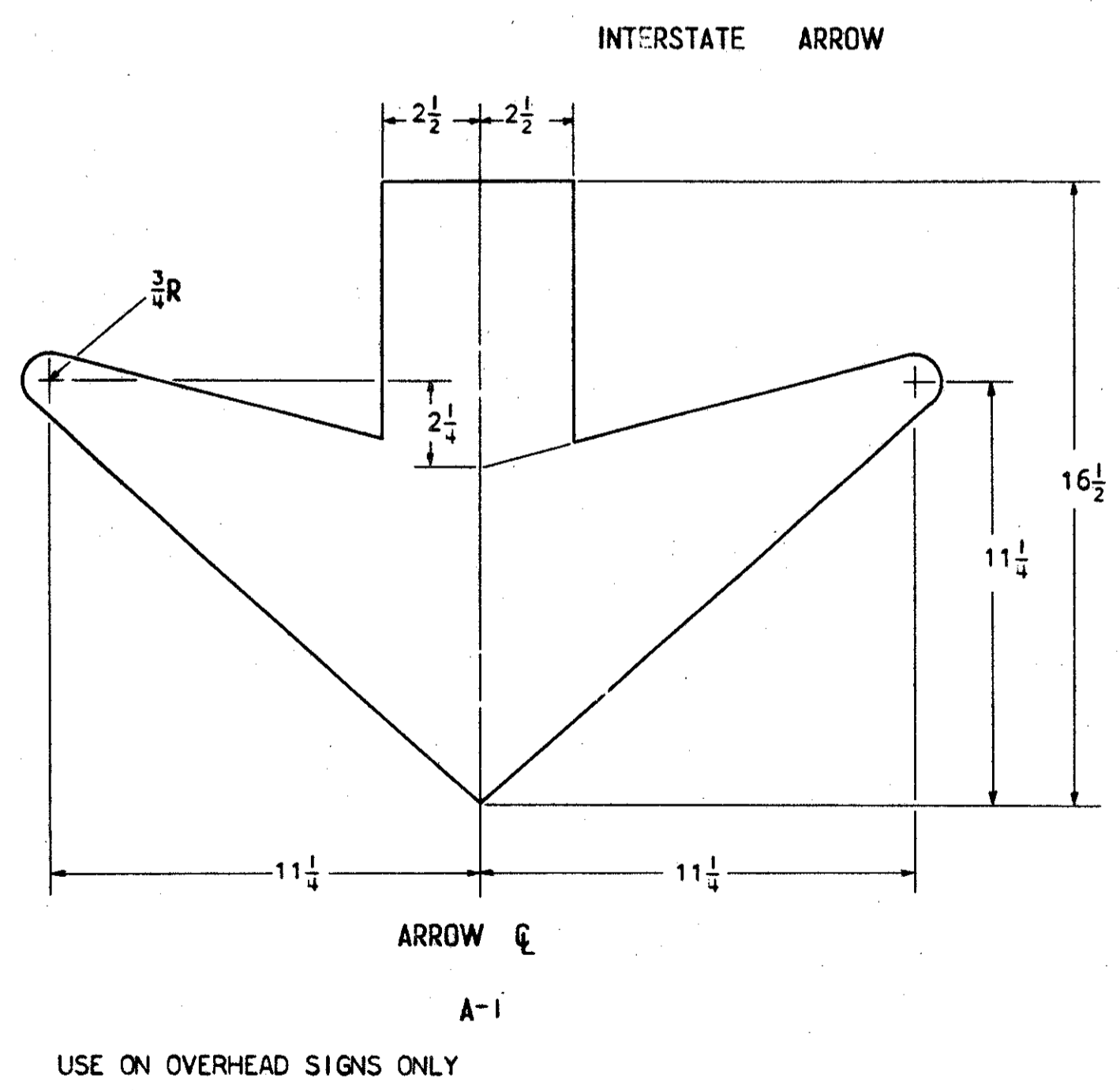


CODE NUMBER	PLATE					ARROW								BOLT HOLES	
	Hb	Vb	R	MARGIN	BORDER	A	B	C	D	E	R1	R2	X	Y	
W-30-40	40	20	1 1/2	1/2	1/2	17 3/16	10 1/2	6 7/8	9 3/8	2	3/16	3/4	6	2	
W-30-80	80	40	1 1/2	1	1	34 3/8	21	13 3/4	18 3/4	4	3/8	1 1/2	12	4	

CODE NUMBER	PLATE		ARROW										BOLT HOLES	
	Hb	Vb	A	B	C	D	E	F	G	R1	R2	X	Y	
W-32-40	40	20	16 7/16	17 3/16	11 1/16	6 1/16	10 7/16	2	4	3/16	3/4	6	2	
W-32-80	80	40	32 7/8	34 3/8	23 3/8	13 5/8	20 7/8	4	8	3/8	1 1/2	12	4	

SEE DESIGN W-30 FOR DIMENSION OF MARGIN, BORDER AND RADIUS "R".



CODE NUMBER	ARROW SIZE	DIMENSION A
A-2	14 X 24	13 1/2
A-3	14 X 36	25 1/2

A-2 A-3
USE ON GROUND AND OVERHEAD SIGNS