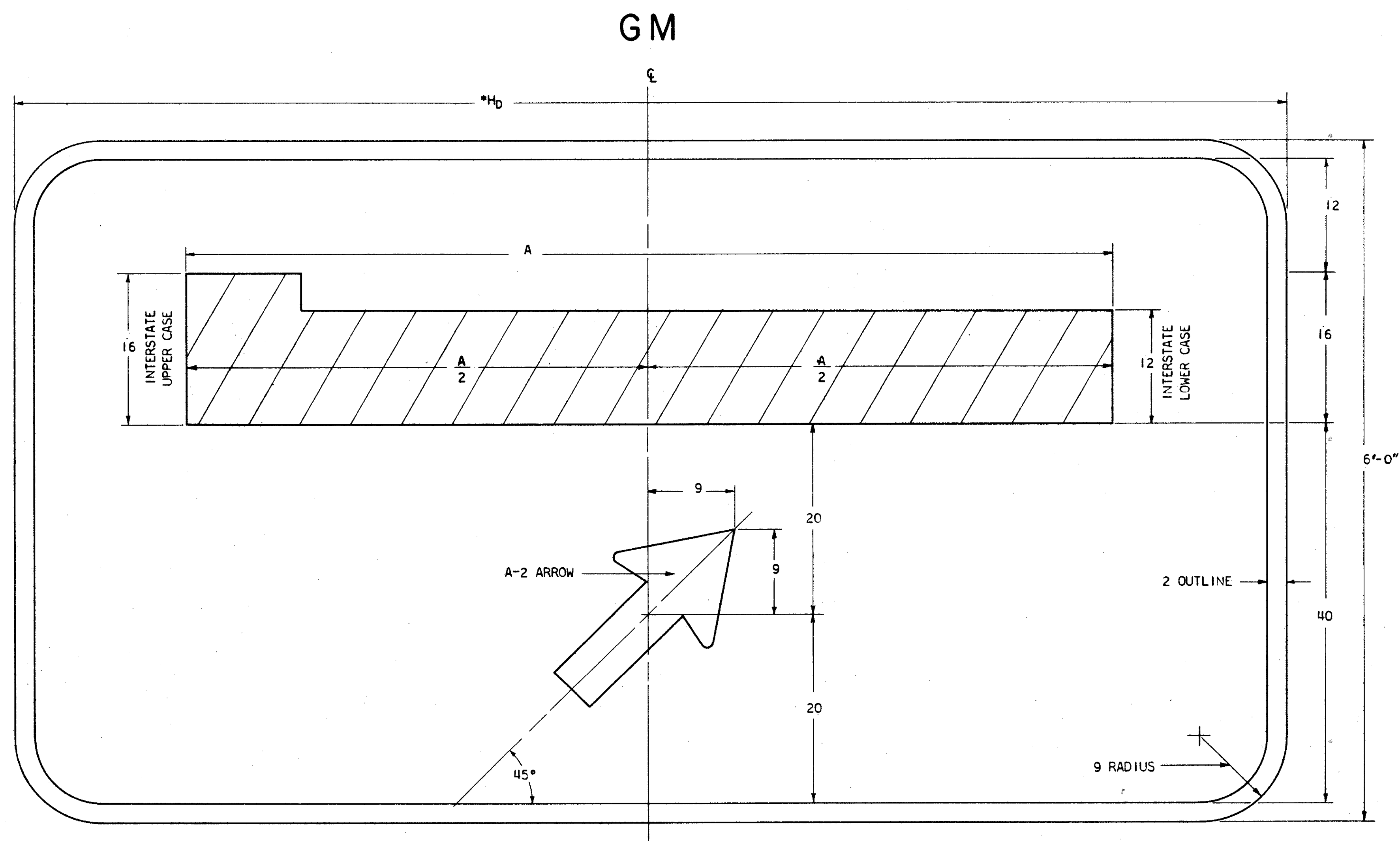


FED. RD. DIVISION	STATE	PROJECT
2	OHIO	

52  
81

LAKE COUNTY  
ASHTABULA COUNTY  
LAK.-1-12.89  
ATB.-1-000



NOTES:

- \* TO FIND  $H_D$   
 $H_D = A + 36" \pm (**)$
- \*\*ADD OR SUBTRACT UP TO 3" TO KEEP  $H_D$  TO EVEN FOOT OR HALF FOOT.
- ALL DIMENSIONS ARE IN INCHES UNLESS OTHERWISE SHOWN.

TYPICAL SIGNS

