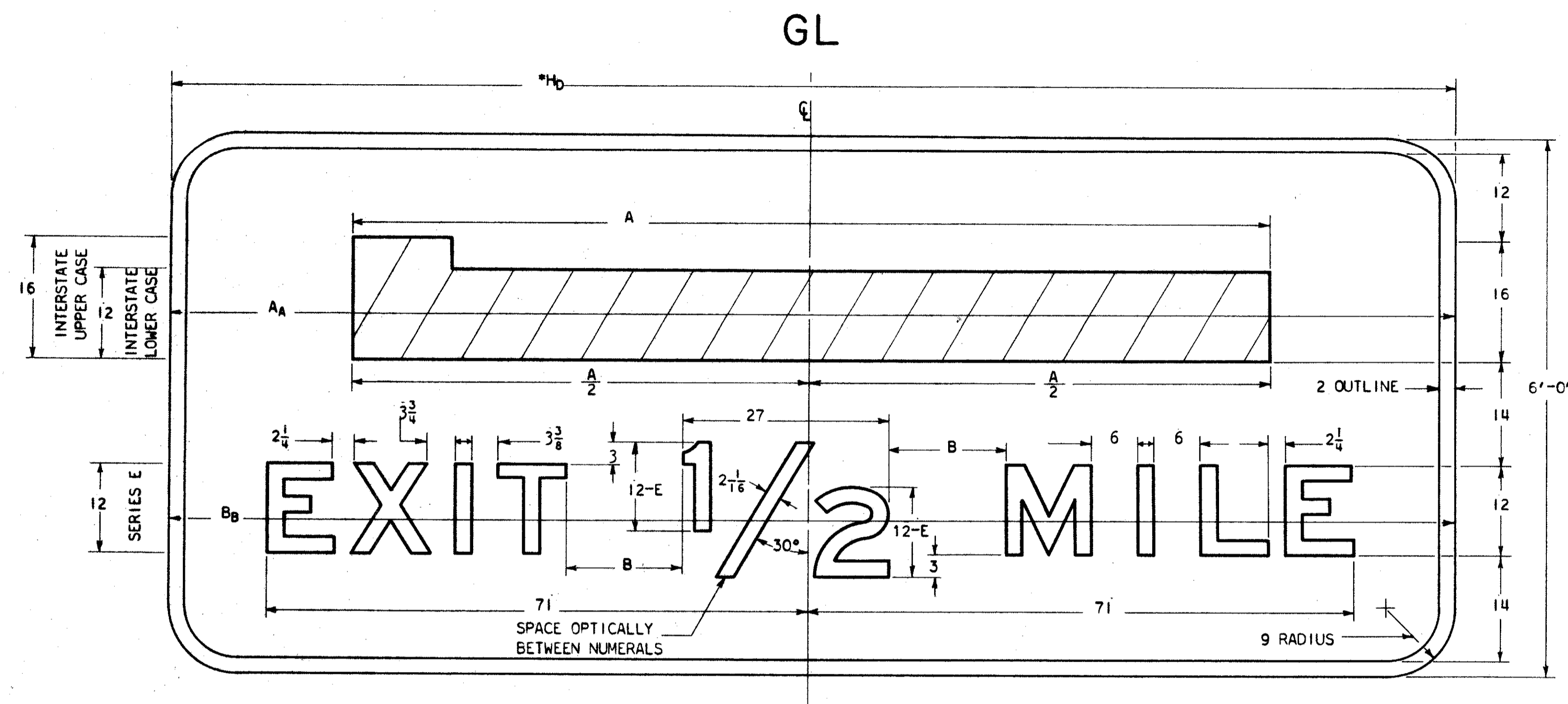


FED. RD. DIVISION	STATE	PROJECT	
2	OHIO		

51
81

LAKE COUNTY
ASHTABULA COUNTY
LAK.-1-12.89
ATB.-1-0.00



NOTES:

- *TO FIND H_D
 H_D IS DETERMINED BY A_A OR B_B WHICHEVER IS GREATER.
- TO FIND A_A
 $A_A = A + 36" \pm (**)$
- TO FIND B_B
 $B_B = 14'-0"$
- **ADD OR SUBTRACT UP TO 3" TO KEEP H_D TO EVEN FOOT OR HALF FOOT.
- ALL DIMENSIONS ARE IN INCHES UNLESS OTHERWISE SHOWN.

TYPICAL SIGNS

Manhattan Ave
EXIT 1/2 MILE

Main St
EXIT 1/2 MILE