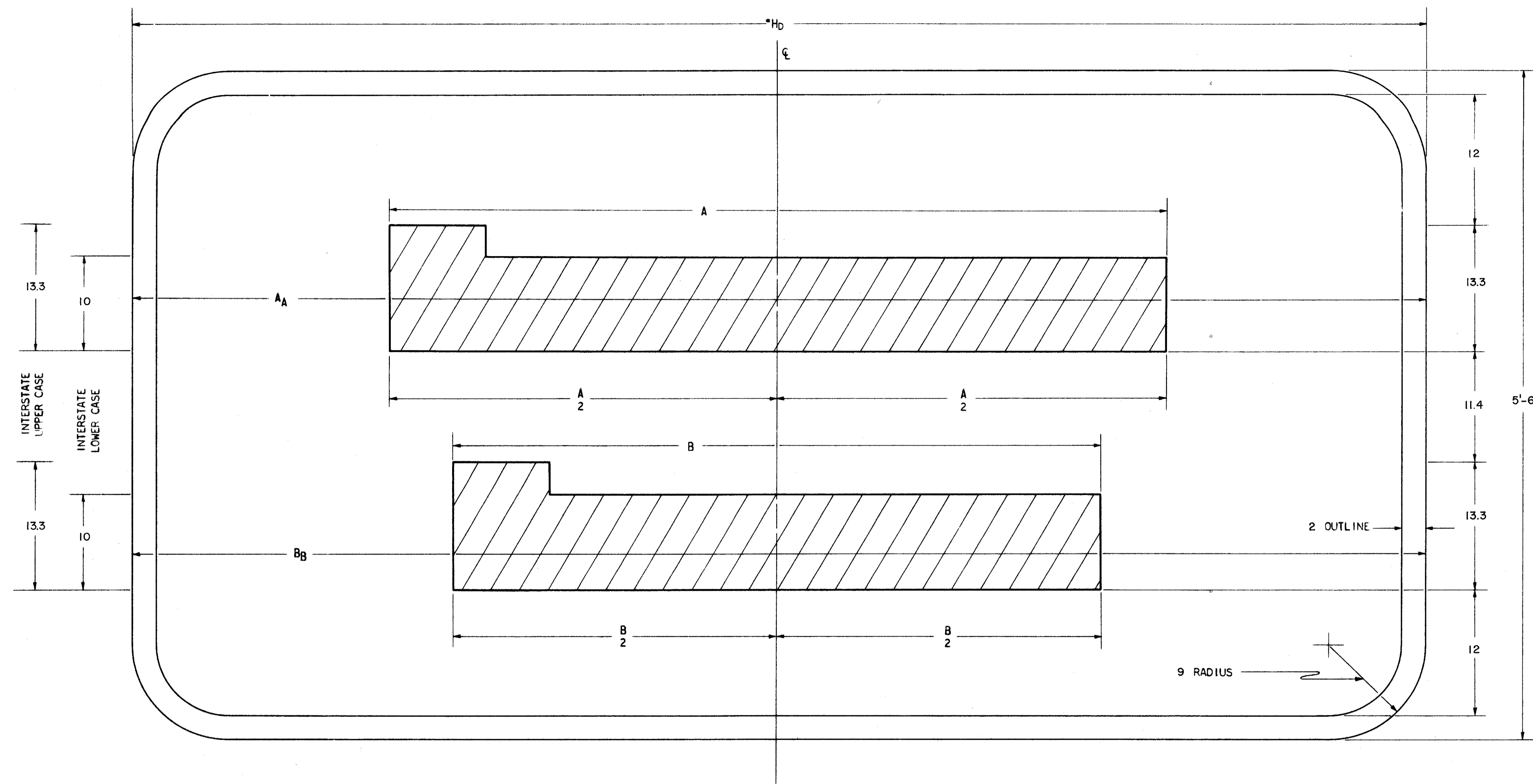


LAKE COUNTY
 ASHTABULA COUNTY
 LAK.-1-12.89
 ATB.-1-0.00

GJ



NOTES: *TO FIND H_b
 H_b IS DETERMINED BY A_A OR B_B WHICHEVER IS GREATER.

TO FIND A_A
 $A + 31'' \pm (**)$ = A_A

TO FIND B_B
 $B + 31'' \pm (**)$ = B_B

WORDS AND LENGTHS FOR B

BAY	37 ¹⁵ / ₁₆
BRANCH	71 ⁹ / ₁₆
CANAL	56 ³ / ₄
CHANNEL	83 ³ / ₈
CREEK	57 ¹ / ₂
CUT-OFF	78 ¹¹ / ₁₆
DAM	42
DITCH	52 ³ / ₈
FORD	41 ⁷ / ₁₆
FORK	42 ¹³ / ₁₆
***LAKE	46 ³ / ₄
LICK	42
RACE	47 ³ / ₈
RIVER	54 ³ / ₁₆
RUN	37 ¹ / ₂
SPILLWAY	88 ⁷ / ₈

** ADD OR SUBTRACT UP TO 3" TO KEEP H_b TO EVEN FOOT OR HALF FOOT.

*** IN SOME INSTANCES THIS IS "A" INSTEAD OF "B".

ALL DIMENSIONS ARE IN INCHES UNLESS OTHERWISE SHOWN.

TYPICAL SIGNS

Mill
Creek

Sandusky
River