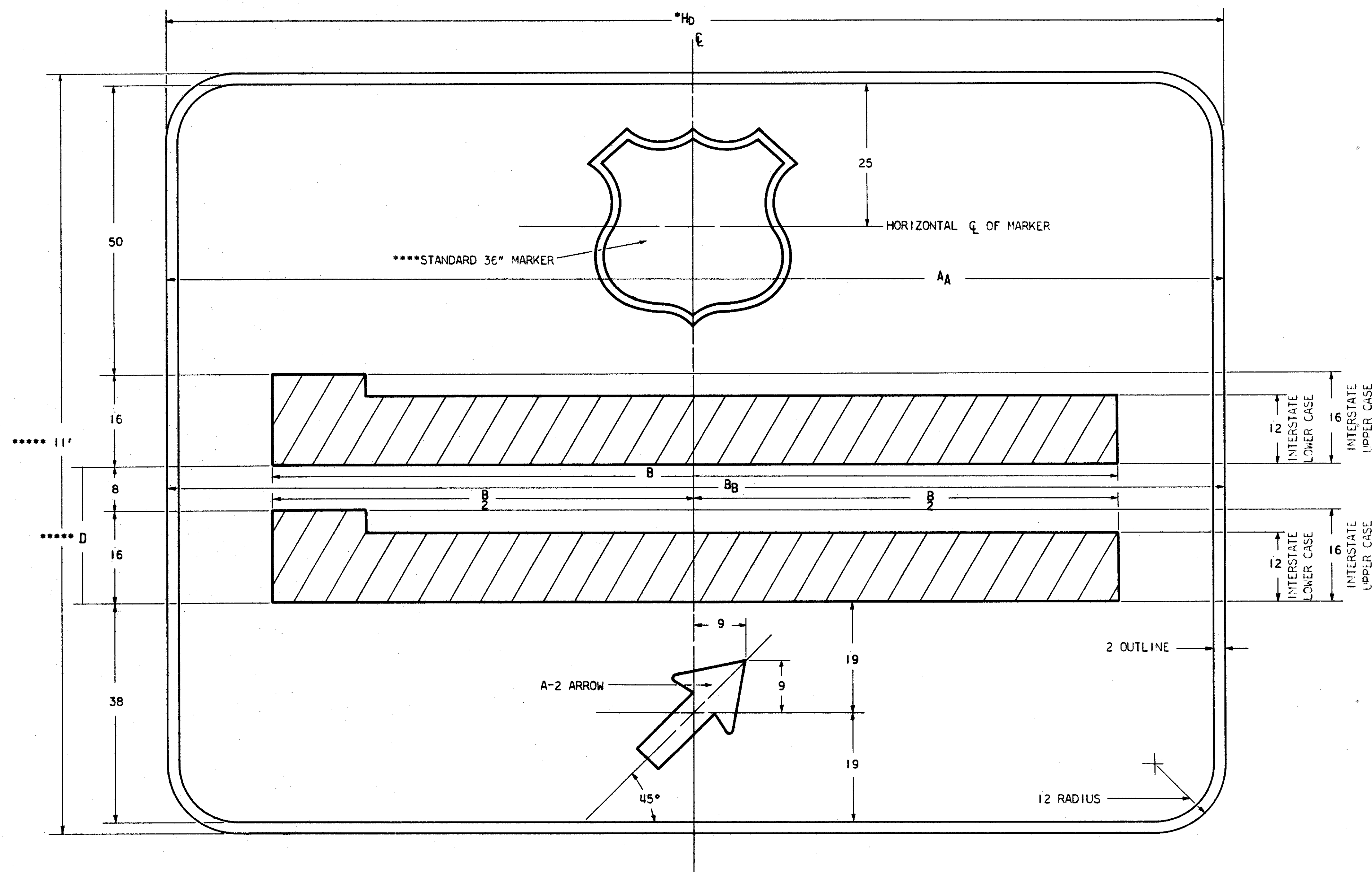


GD



NOTES:

\*TO FIND  $H_b$   
 $H_b$  IS DETERMINED BY  $A_A$  OR  $B_B$  WHICHEVER IS GREATER.

TO FIND  $A_A$   
 $A_A = 66"$  (SEE NOTE \*\*\*)

TO FIND  $B_B$   
 $B + 36" \pm (***) = B_B$

NOTE:  $B$  = LONGEST NAME. SHORTEST NAME IS HORIZONTALLY CENTERED ON THE VERTICAL SIGN CENTERLINE.

\*\*ADD OR SUBTRACT UP TO 3" TO KEEP  $H_b$  TO EVEN FOOT OR HALF FOOT.

\*\*\*DESIGN SHOWN IS FOR ONE ROUTE MARKER. INCREASE  $A_A$  48" FOR EACH ADDITIONAL ROUTE MARKER. SPACE BETWEEN ROUTE MARKERS SHALL BE EQUAL TO THE HORIZONTAL SPACE BETWEEN MARKER AND BORDER.

ALL DIMENSIONS ARE IN INCHES UNLESS OTHERWISE SHOWN.

\*\*\*\*OHIO AND U.S. MARKERS SHALL HAVE WHITE OUTLINE AND NUMERALS ON A GREEN BACKGROUND. INTERSTATE MARKERS SHALL BE RED, WHITE AND BLUE.

\*\*\*\*\*DESIGN SHOWN IS FOR TWO TOWN NAMES. WHEN ONLY ONE TOWN NAME IS REQUIRED DECREASE VERTICAL DIMENSION OF DESIGN TO NINE FEET BY OMITTING D.

TYPICAL SIGNS

